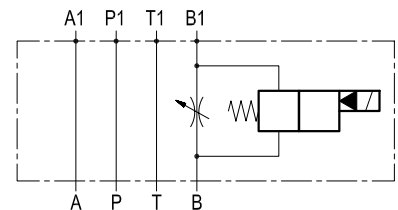
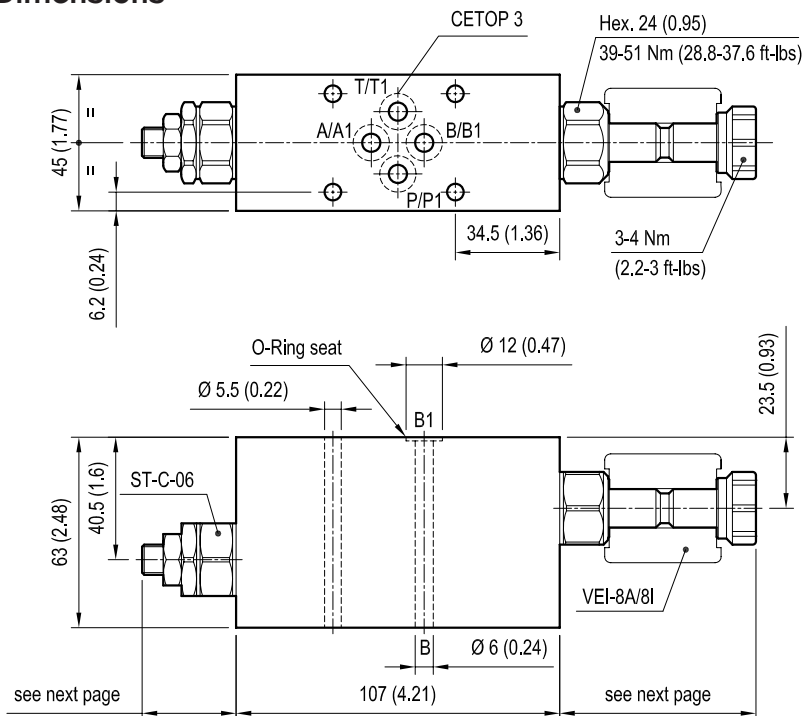


Sandwich valves, module with solenoid valve and flow restrictor

EM-VEI8A/8I-ST-CETOP3-B

OP . 64 - K - X - 29 - Y

Dimensions



Technical data

Max flow: up to 40 l/min (11 gpm)

Max operating pressure: 210 bar (3000 psi)

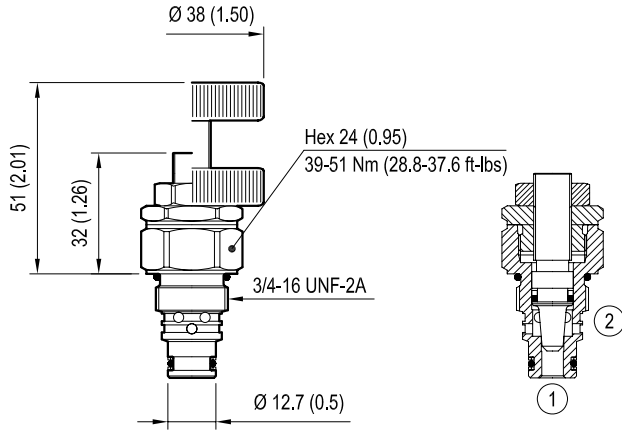
Standard manifolds in high strength **aluminium**.
For working pressure up to 350 bar (5000 psi)
and for fatigue applications with any working
pressure, steel manifolds are available upon
request.

Note: meter-out control

[mm (inches)]

CARTRIDGE CODE	OP64	- K -		- X -	29	- Y -		CARTRIDGE SCHEME	
		monodir.	bidir.			Rated Flow		monodir.	bidir.
						30 l/min (8 gpm)	40 l/min (11 gpm)		
see next page	OD15		05	see next page	18	3I	3A		
	OD15		05		18	3M	3D		
	OD15		06		18	1I	1A		
	OD15		06		18	1L	1B		
	OD15		06		18	1M	1C		

ST-C-06 FLOW RESTRICTOR
code OD.21.01.X.56.Z



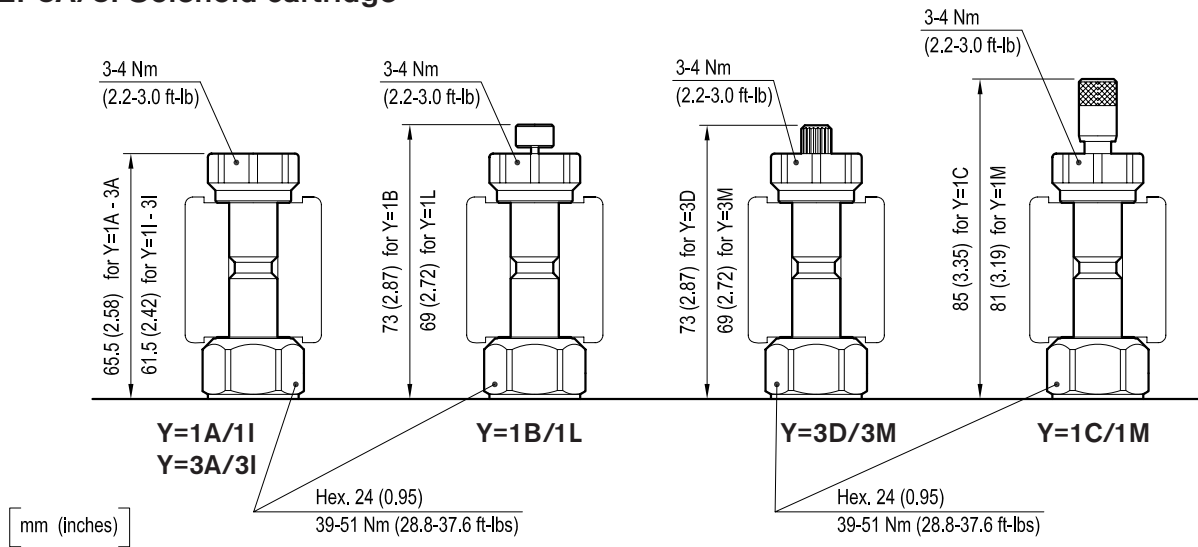
[mm (inches)]

Table "X"

X	ST-C-06 ADJUSTMENTS	
03	Leakproof hex. socket screw	
04	Handknob and locknut	

For other details see data sheet RE 18321-26

VEI-8A/8I Solenoid cartridge



[mm (inches)]

Table "Y"

Y	MANUAL OVERRIDE OPTIONS		VEI-8A TECHNICAL DATA	
	K = 05	K = 06		
1A/1I	/	No override	Internal leakage:	max. 1 cm ³ /min (0.06 inch ³ /min)
1B/1L	/	Push style	Filtration:	25 µm nominal or better
1C/1M	/	Push and twist style	Minimum voltage required:	90% of nominal value
3A/3I	No override	/	Coil:	S8-356 (must be ordered separately) (see data sheet RE 18325-90)
3D/3M	Knob style	/	For other details see cartridge data sheet	

Performance graphs

