

TECHNICAL DATA

Body Type	Line mount
Interface	None
Body Features	Ninety degree with gauge port
Mounting Hole Diameter	10,4 mm
Mounting Hole Depth	Through
Mounting Hole Quantity	2
Open Cavities	1
Cavity	T-23A
Port Size	1" BSPP
Model Weight	1.44 kg.

NOTES *Important:* Carefully consider the maximum system pressure. The pressure rating of the manifold is dependent on the manifold material, with the port type/size a secondary consideration. Manifolds constructed of aluminum are not rated for pressures higher than 3000 psi (210 bar), regardless of the port type/size specified.

PORT DESIGNATORS

Modifiers	Ports
PAX	Ports 1 & 2: 1" BSPP; Port 3: 3/4" BSPP; Port 4: 1/4" BSPP; Gage Port: 1/4" BSPP;

CONFIGURATION OPTIONS

Model Code Example: PAX

MODIFIER

- 6061-T651 Aluminum, Buna-N
- IS 65-45-12 Ductile Iron, Buna-N, Blackened

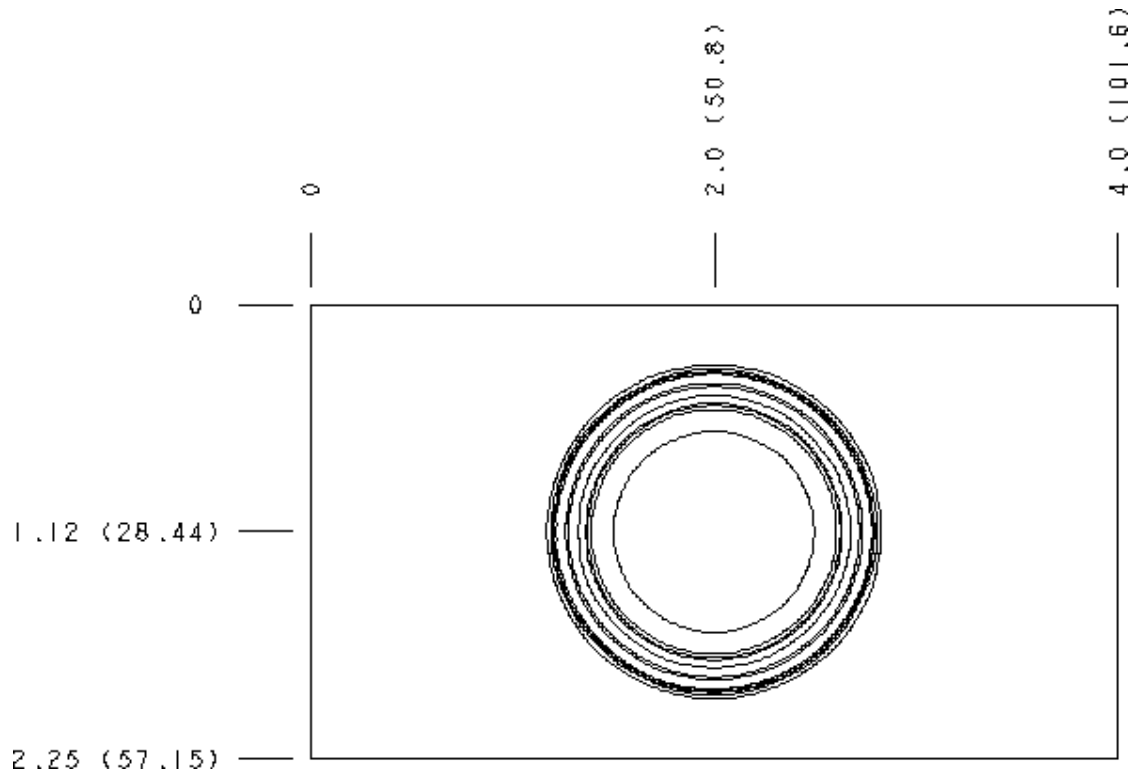
MANIFOLD FACES

FACE GRID

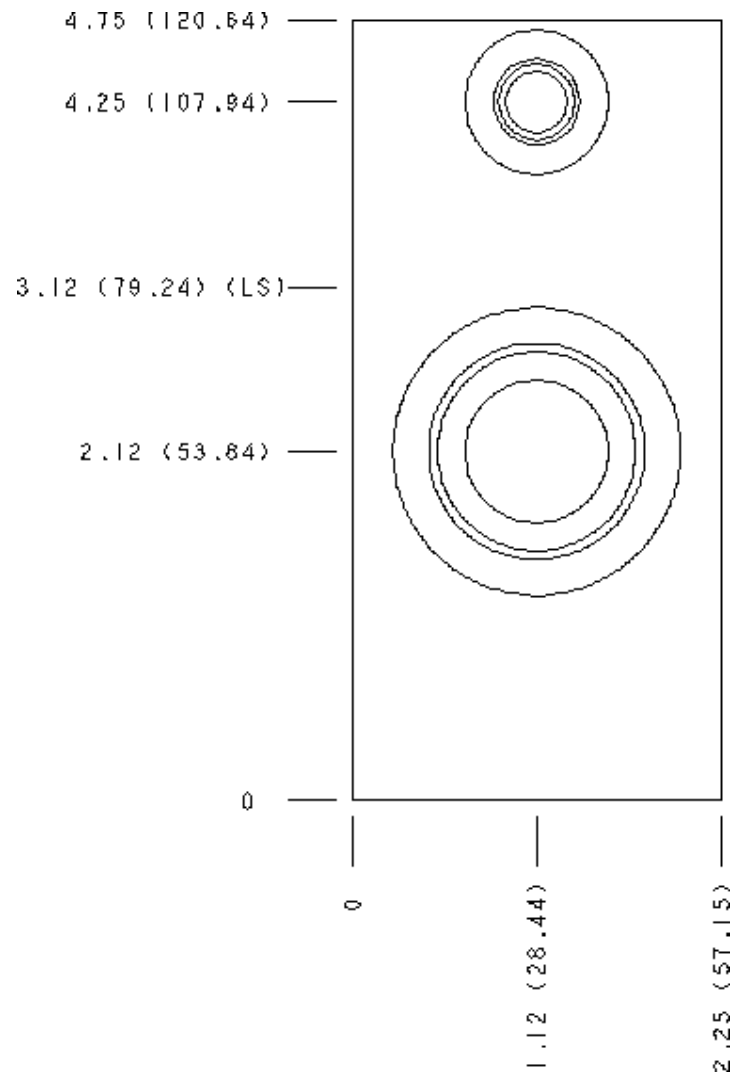


5	6	7	8
9	10	11	12

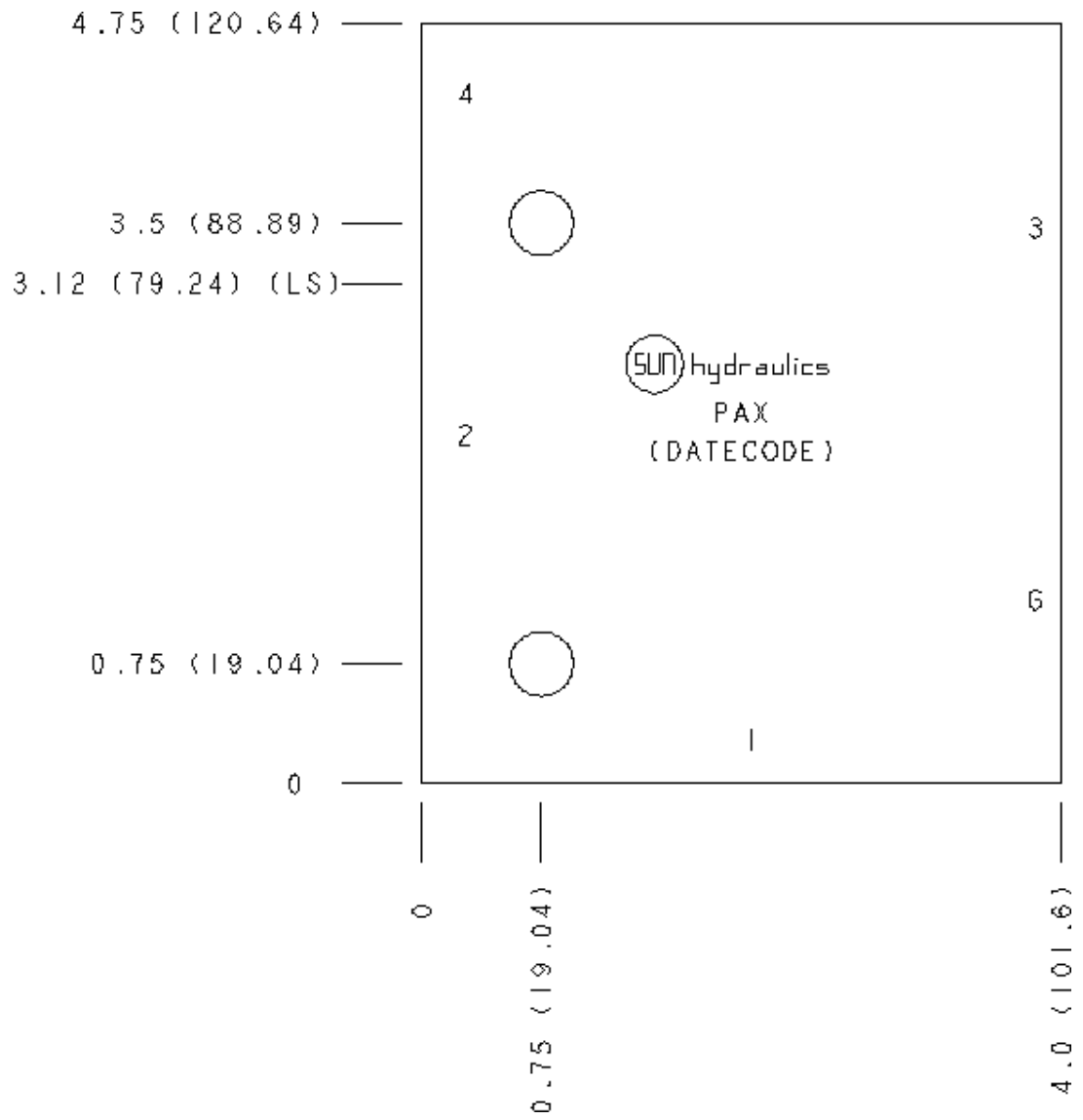
Face 2



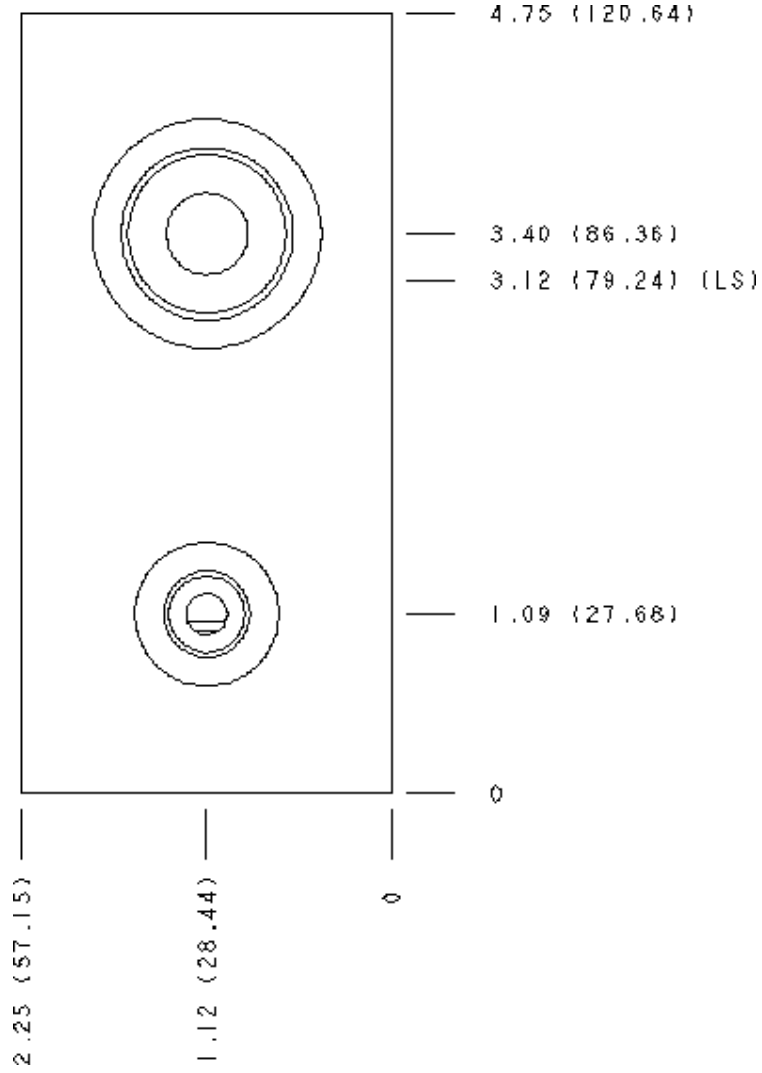
Face 5



Face 6



Face 7



Face 10

