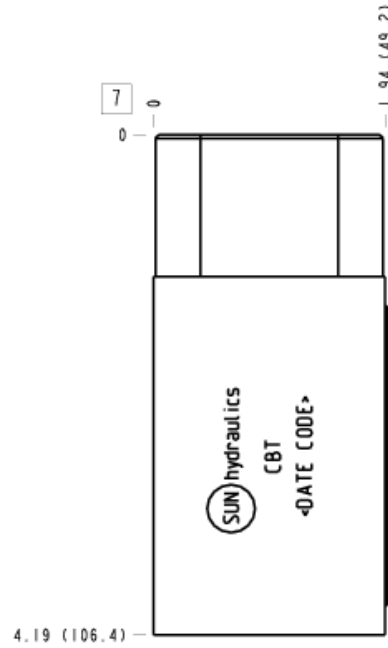
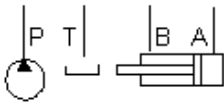


Relief, Out of T High Capacity



**TECHNICAL DATA**

Body Type	Sandwich
Interface	ISO 05
Body Features	Out of T
Stack Height	49 mm
Seal Plate Included (see notes)	No
Open Cavities	1
Cavity	T-3A
Model Weight	0.74 kg.

**NOTES**

- Seal retainer plate is not required for this model.
- **Important:** Carefully consider the maximum system pressure. The pressure rating of the manifold is dependent on the manifold material, with the port type/size a secondary consideration. Manifolds constructed of aluminum are not rated for pressures higher than 3000 psi (210 bar), regardless of the port type/size specified.

**INCLUDED COMPONENTS**

Part	Description	Quantity
500-001-014	O-Ring	5

**CONFIGURATION OPTIONS**

**Model Code Example: CBT**

**MODIFIER**

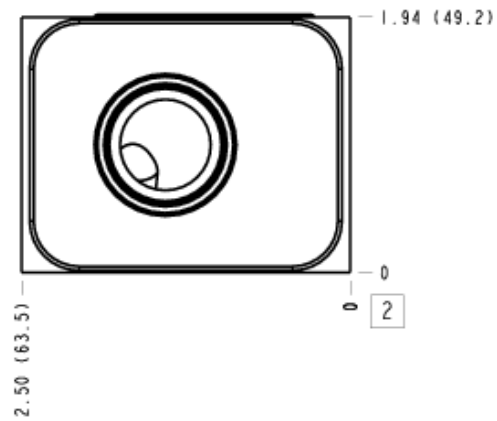
- 6061-T651 Aluminum, Buna-N**
- /11** 6061-T651 Aluminum, Buna-N, Clear Anodize - Per MIL SPEC 8625F Type II, Class I
- /10** 6061-T651 Aluminum, Buna-N, Black Anodize - Per MIL SPEC 8625F Type II, Class II
- /V** 6061-T651 Aluminum, Viton
- /16** 6061-T651 Aluminum, Viton, Clear Anodize - Per MIL SPEC 8625F Type II, Class I
- /15** 6061-T651 Aluminum, Viton, Black Anodize - Per MIL SPEC 8625F Type II, Class II
- /S** 65-45-12 Ductile Iron, Buna-N, Chem. Black
- /S3** 65-45-12 Ductile Iron, Buna-N, Trivalent Clear Zinc with Top Sealer
- /Y** 65-45-12 Ductile Iron, Viton, Chem. Black
- /Y3** 65-45-12 Ductile Iron, Viton, Trivalent Clear Zinc with Top Sealer

# MANIFOLD FACES

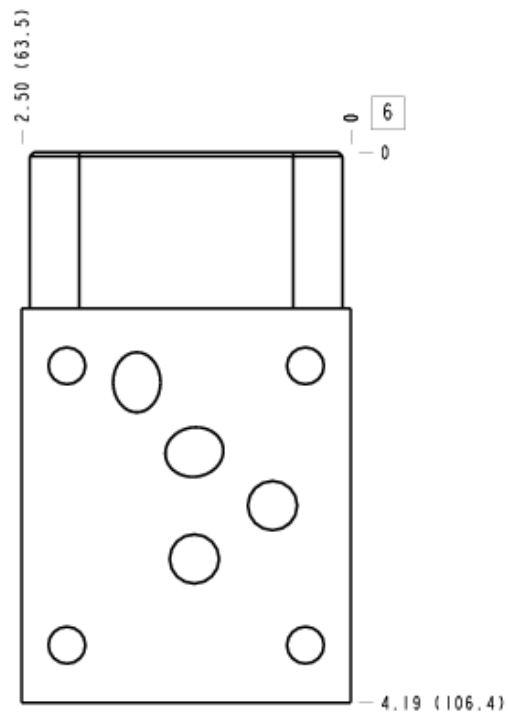
## FACE GRID

1	2	3	4
5	6	7	8
9	10	11	12

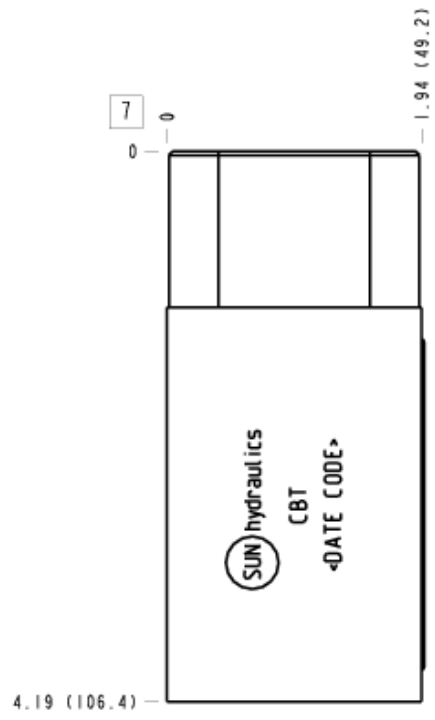
### Face 2



### Face 6



## Face 7



## Face 8

