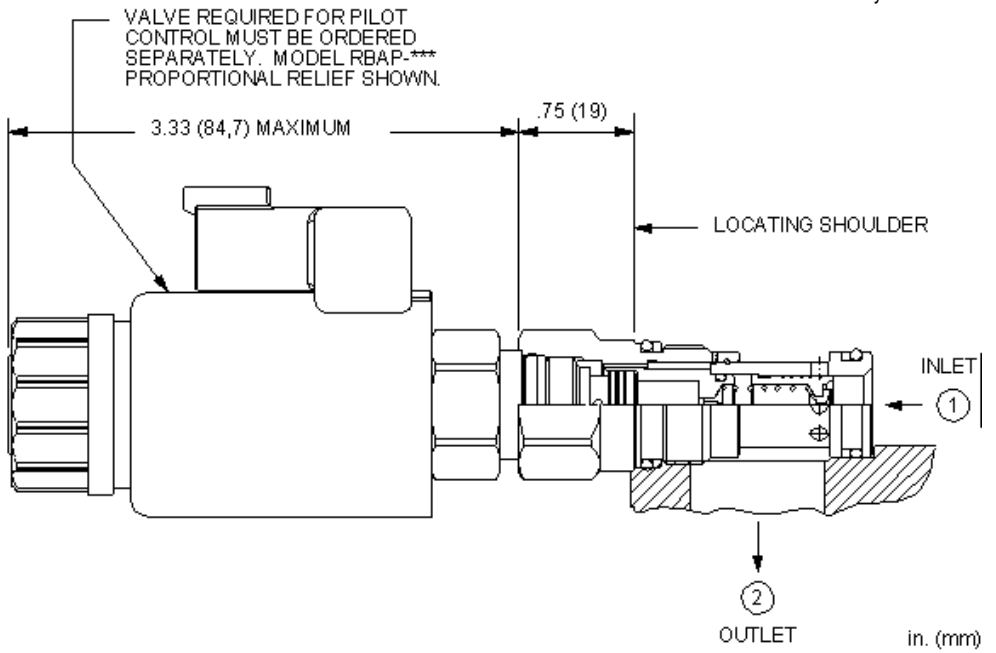


CONFIGURATION

D Minimum Control Pressure	25 psi (1,7 bar)
N Seal Material	Buna-N



This valve is a normally closed modulating element that incorporates an integral pilot control cavity. It is a balanced piston design. The pilot control cavity will accept any T-8A pressure control cartridge. When the pressure at the inlet (port 1) reaches the pilot control cartridge's setting, the modulating element starts to open to tank (port 2), throttling flow to regulate the pressure. The pilot cartridge's setting determines the difference in pressure between port 1 and port 2.

TECHNICAL DATA

NOTE: DATA MAY VARY BY CONFIGURATION. SEE CONFIGURATION SECTION.

Cavity	T-10A
Series	1
Capacity	95 L/min.
Maximum Operating Pressure	350 bar
Control Pilot Flow	0,11 - 0,16 L/min.
Pilot Control Cavity	T-8A
Pilot Control Valve Installation Torque	27 - 33 Nm
Pilot Control Valve Hex Size	22,2 mm
Main stage leakage at 110 SUS (24 cSt)	30 cc/min.@70 bar
Valve Hex Size	22,2 mm
Valve Installation Torque	41 - 47 Nm
Seal kit - Cartridge	Buna: 990010007
Seal kit - Cartridge	EPDM: 990010014
Seal kit - Cartridge	Polyurethane: 990010002
Seal kit - Cartridge	Viton: 990010006
Model Weight	0.09 kg.

NOTES

Compound cartridge (pilot and main stage) assembly information is provided for reference only. Cartridges must be ordered separately and assembled at point of use.

CONFIGURATION OPTIONS

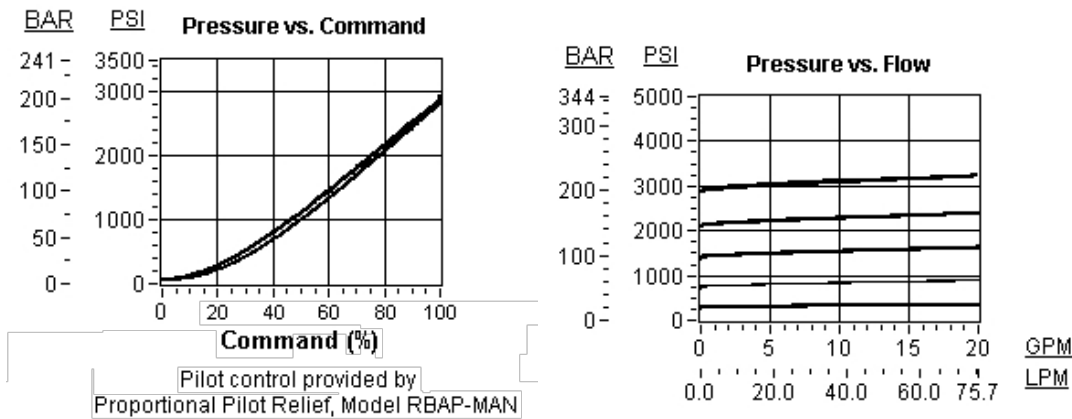
Model Code Example: RPEC8DN

MINIMUM CONTROL PRESSURE (D)	SEAL MATERIAL (N)
D 25 psi (1,7 bar)	N Buna-N
W 100 psi (7 bar)	E EPDM
	V Viton

TECHNICAL FEATURES

- All 2-port relief cartridges (except pilot reliefs) are physically and functionally interchangeable (same flow path, same cavity for a given frame size).
- Will accept maximum pressure at port 2; suitable for use in cross port relief circuits.
- Main stage orifice is protected by a 150-micron stainless steel screen.
- Not suitable for use in load holding applications due to spool leakage.
- Back pressure on the tank port (port 2) is directly additive to the valve setting at a 1:1 ratio.
- NOTE: With the -8 control option, the main stage valve should first be installed to the correct torque value. The T-8A pilot control valve should then be installed into the main stage valve to its required torque value.
- The -8 control option allows the pilot control valve to be incorporated directly into the end of the relief cartridge via the T-8A cavity. These pilot control cartridges are sold separately and include electro-proportional, solenoid, air pilot, and hydraulic pilot operation. See Pilot Control Cartridges.
- Cartridges configured with EPDM seals are for use in systems with phosphate ester fluids. Exposure to petroleum based fluids, greases and lubricants will damage the seals.
- Incorporates the Sun floating style construction to minimize the possibility of internal parts binding due to excessive installation torque and/or cavity/cartridge machining variations.

PERFORMANCE CURVES



RELATED MODELS

- [RPEC](#) Pilot-operated, balanced piston relief valve