

# ALP2A

Parti accessorie a corredo della pompa standard: linguetta (codice 522067).

Monta flangia 82-2 (A) secondo norma SAE J744c.

Le porte standard "D" e "d" sono lavorate secondo la specifica SAE J1926/1 (ISO 11926-1) relativa a porte filettate con tenuta O-ring.

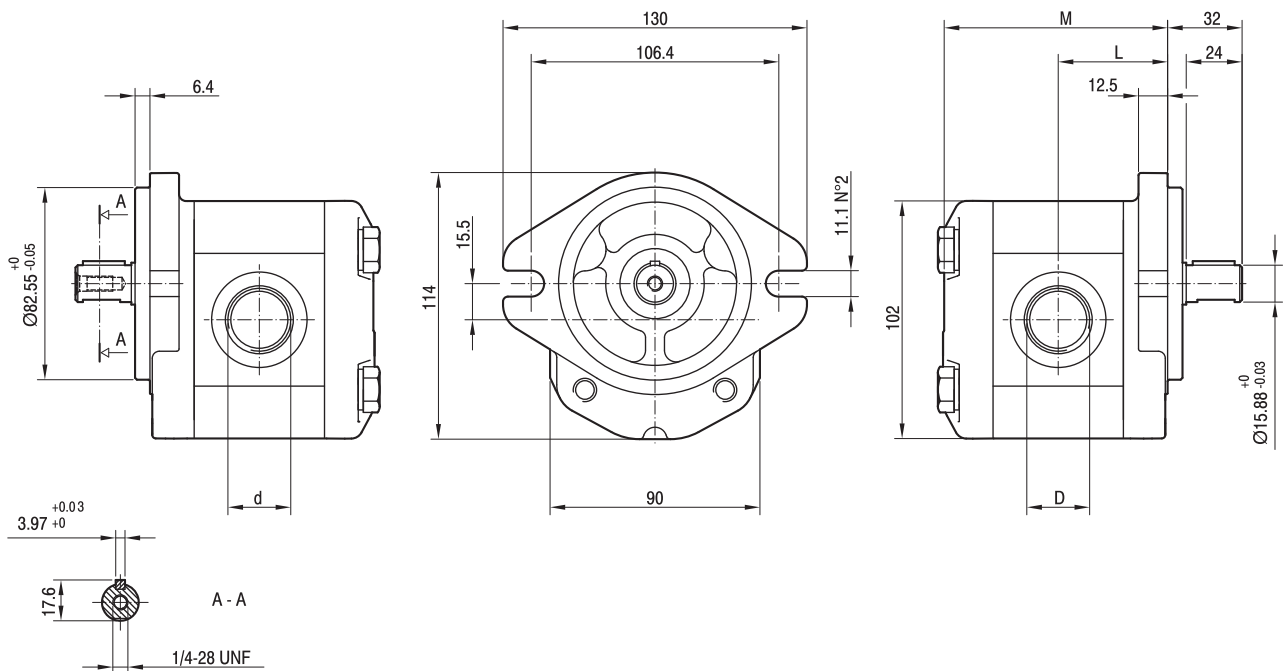
Accessories supplied with the standard pump: key (code 522067).

Mounting flange 82-2 (A) in compliance with SAE J744c.

"D" and "d" standard ports are machined in compliance with threaded port with O-ring seal in truncated housing SAE J1926/1 (ISO 11926-1).

MANDATA  
OUTLET

ASPIRAZIONE  
INLET



TIPO TYPE	CILINDRATA DISPLACEMENT	PORTATA a 1500 giri/min FLOW at 1500 rev/min	PRESSIONI MASSIME MAX PRESSURE			VELOCITÀ MASSIMA MAX SPEED	DIMENSIONI DIMENSIONS			
			P <sub>1</sub>	P <sub>2</sub>	P <sub>3</sub>		L	M	d	D
	cm <sup>3</sup> /giro [cm <sup>3</sup> /rev]	litri/min [litres/min]	bar	bar	bar	giri/min [rpm]	mm	mm		
ALP2A-D-6	4,5	6,4	250	270	290	4000	45,5	93,5	7/8-14 UNF	1 1/16-12 UNF
ALP2A-D-9	6,4	9,1	250	270	290	4000	47	96,5	7/8-14 UNF	1 1/16-12 UNF
ALP2A-D-10	7,0	10,0	250	270	290	4000	47,5	97,5	7/8-14 UNF	1 1/16-12 UNF
ALP2A-D-12	8,3	11,8	250	270	290	4000	48,5	99,5	7/8-14 UNF	1 1/16-12 UNF
ALP2A-D-13	9,6	13,7	250	270	290	4000	49,5	101,5	7/8-14 UNF	1 1/16-12 UNF
ALP2A-D-16	11,5	16,4	230	250	270	4000	51	104,5	7/8-14 UNF	1 1/16-12 UNF
ALP2A-D-20	14,1	20,1	230	250	270	3200	53	108,5	7/8-14 UNF	1 1/16-12 UNF
ALP2A-D-22	16,0	22,8	210	225	240	2800	54,5	111,5	7/8-14 UNF	1 1/16-12 UNF
ALP2A-D-25	17,9	25,5	210	225	240	2500	56	114,5	7/8-14 UNF	1 1/16-12 UNF
ALP2A-D-30	21,1	30,1	180	195	210	2200	58,5	119,5	7/8-14 UNF	1 1/16-12 UNF
ALP2A-D-34	23,7	33,7	180	195	210	2000	60,5	123,5	7/8-14 UNF	1 1/16-12 UNF
ALP2A-D-37	25,5	36,4	170	185	200	1800	62	126,5	7/8-14 UNF	1 1/16-12 UNF
ALP2A-D-40	28,2	40,1	170	185	200	1800	64	130,5	7/8-14 UNF	1 1/16-12 UNF
ALP2A-D-50	35,2	50,2	140	155	170	2000	69,5	141,5	7/8-14 UNF	1 5/16-12 UNF