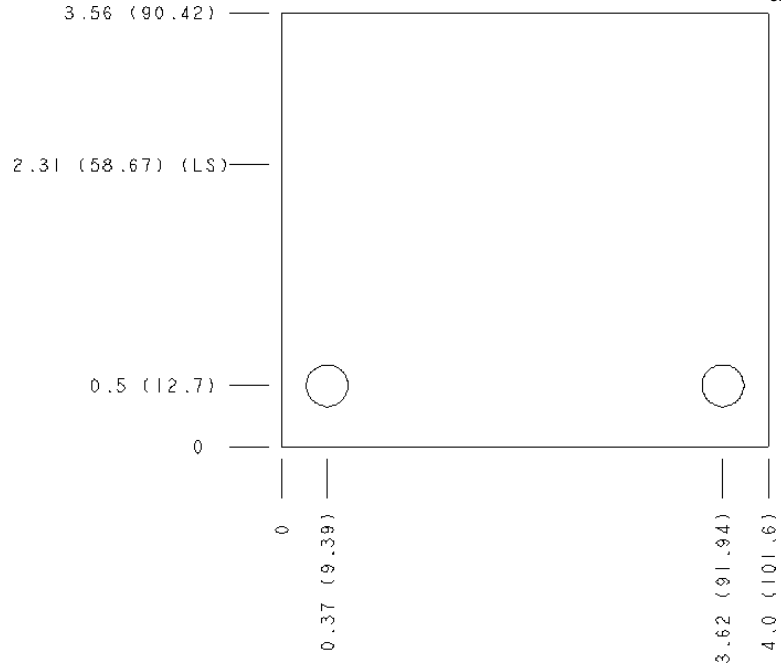


CONFIGURATION

/S Modifier 65-45-12 Ductile Iron, Buna-N, Blackened



TECHNICAL DATA

Body Type	Line mount
Interface	None
Body Features	Cross pilot with common port 4s
Mounting Hole Diameter	8.6 mm
Mounting Hole Depth	Through
Mounting Hole Quantity	2
Open Cavities	2
Cavity	T-21A
Port Size	1/2" BSPP
Model Weight	1.51 kg.

NOTES

Important: Carefully consider the maximum system pressure. The pressure rating of the manifold is dependent on the manifold material, with the port type/size a secondary consideration. Manifolds constructed of aluminum are not rated for pressures higher than 3000 psi (210 bar), regardless of the port type/size specified.

PORT DESIGNATORS

Modifiers	Ports
XPV	Ports 1A, 1B, 2A, 2B: 1/2" BSPP; Port 4: 1/4" BSPP;

CONFIGURATION OPTIONS

Model Code Example: XPV/S

MODIFIER (S)

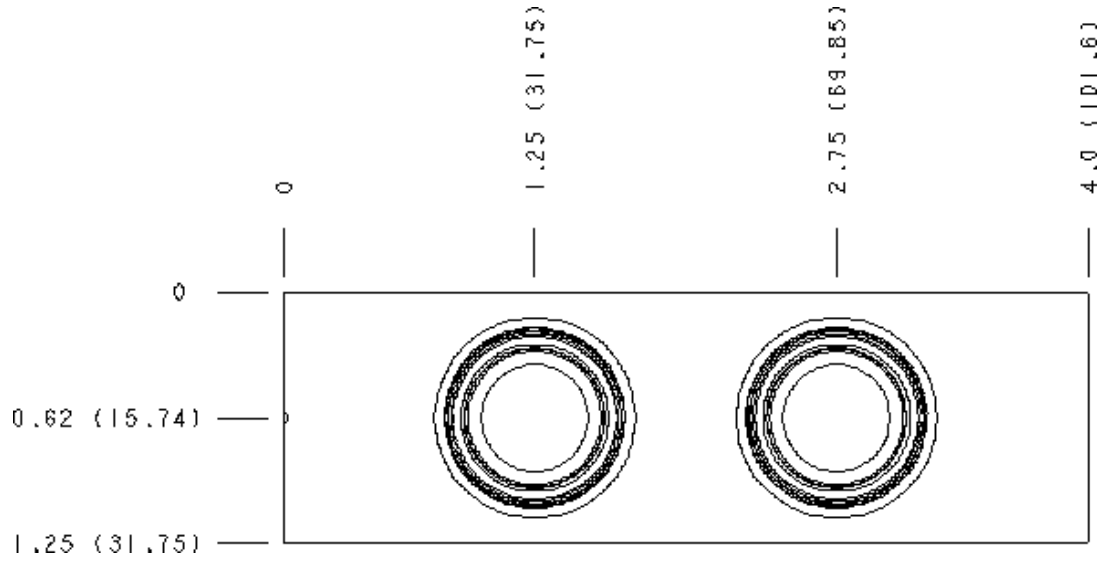
/S 65-45-12 Ductile Iron, Buna-N, Blackened
6061-T651 Aluminum, Buna-N

MANIFOLD FACES

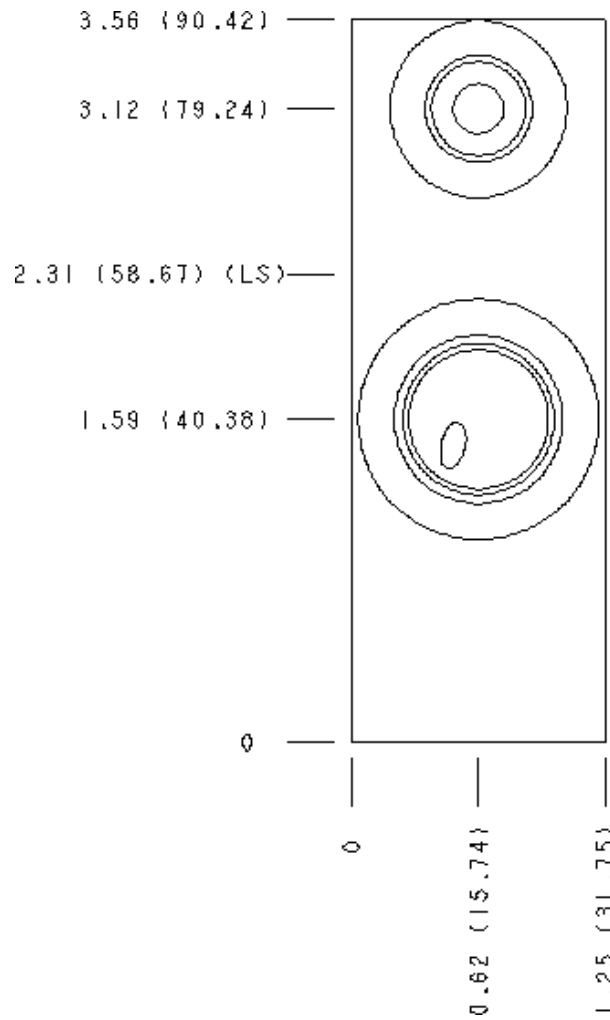
FACE GRID

1	2	3	4
5	6	7	8
9	10	11	12

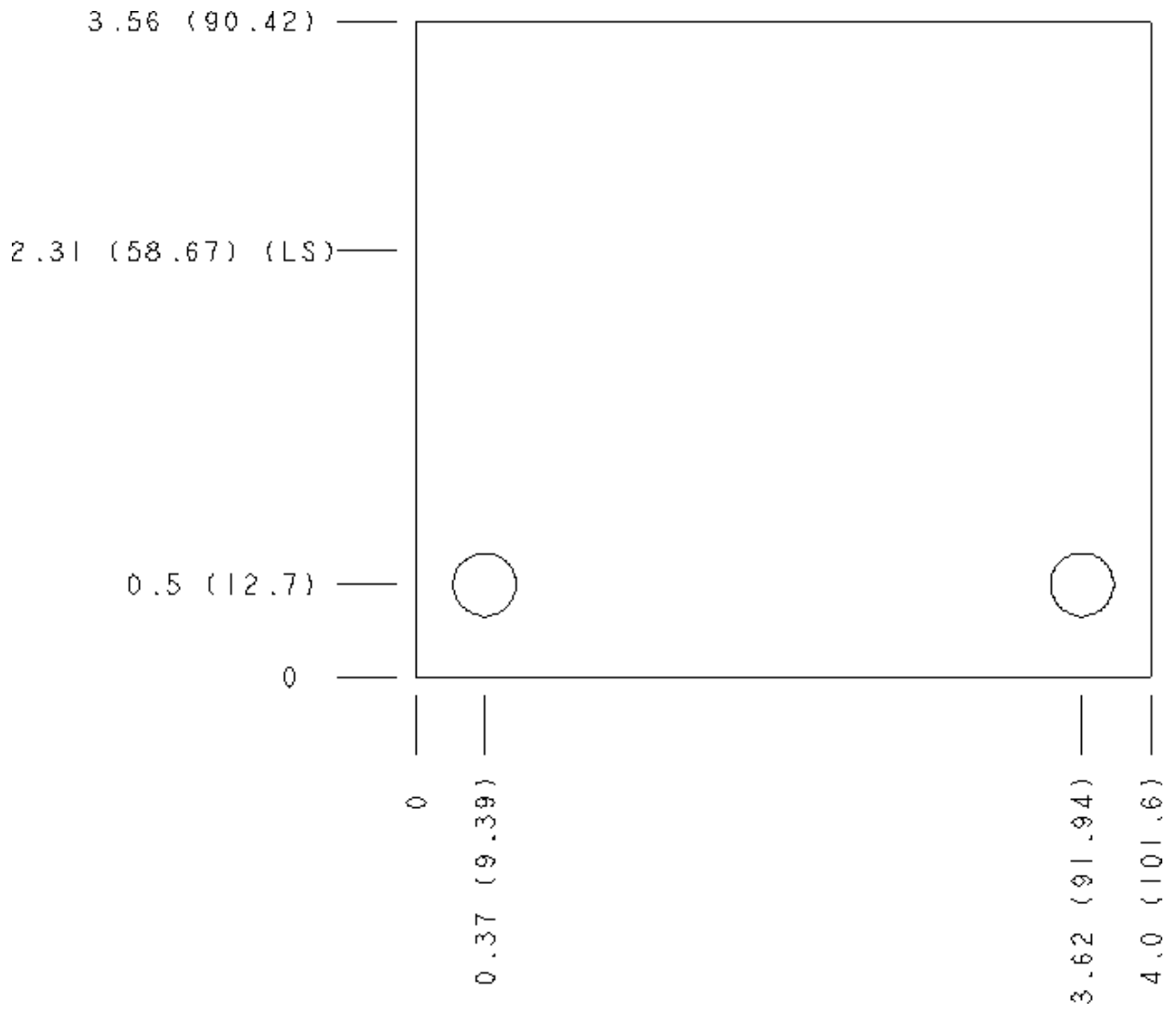
Face 2



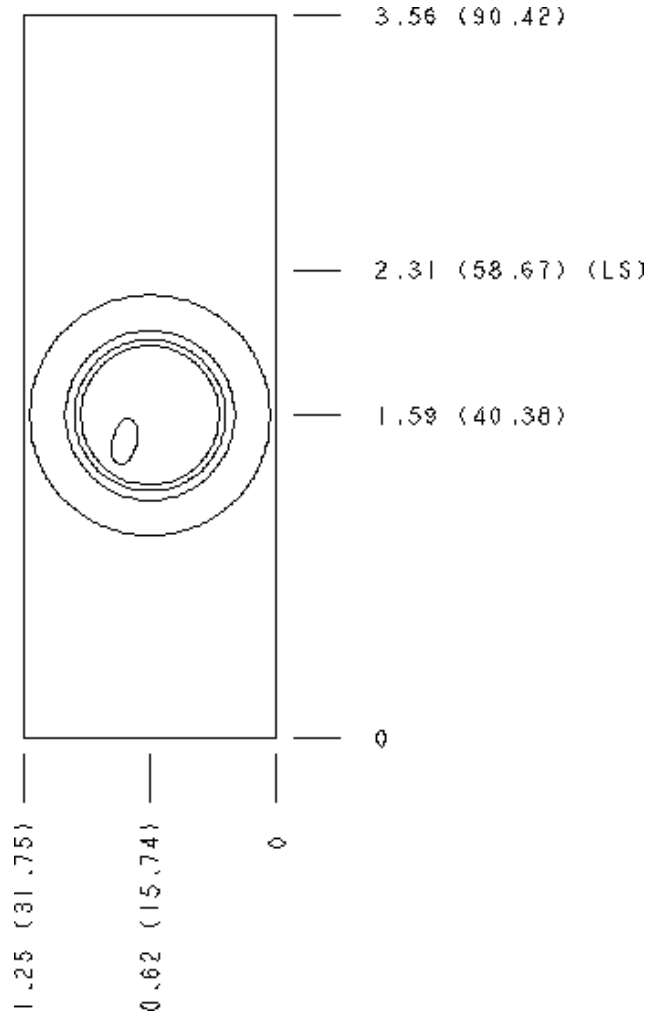
Face 5



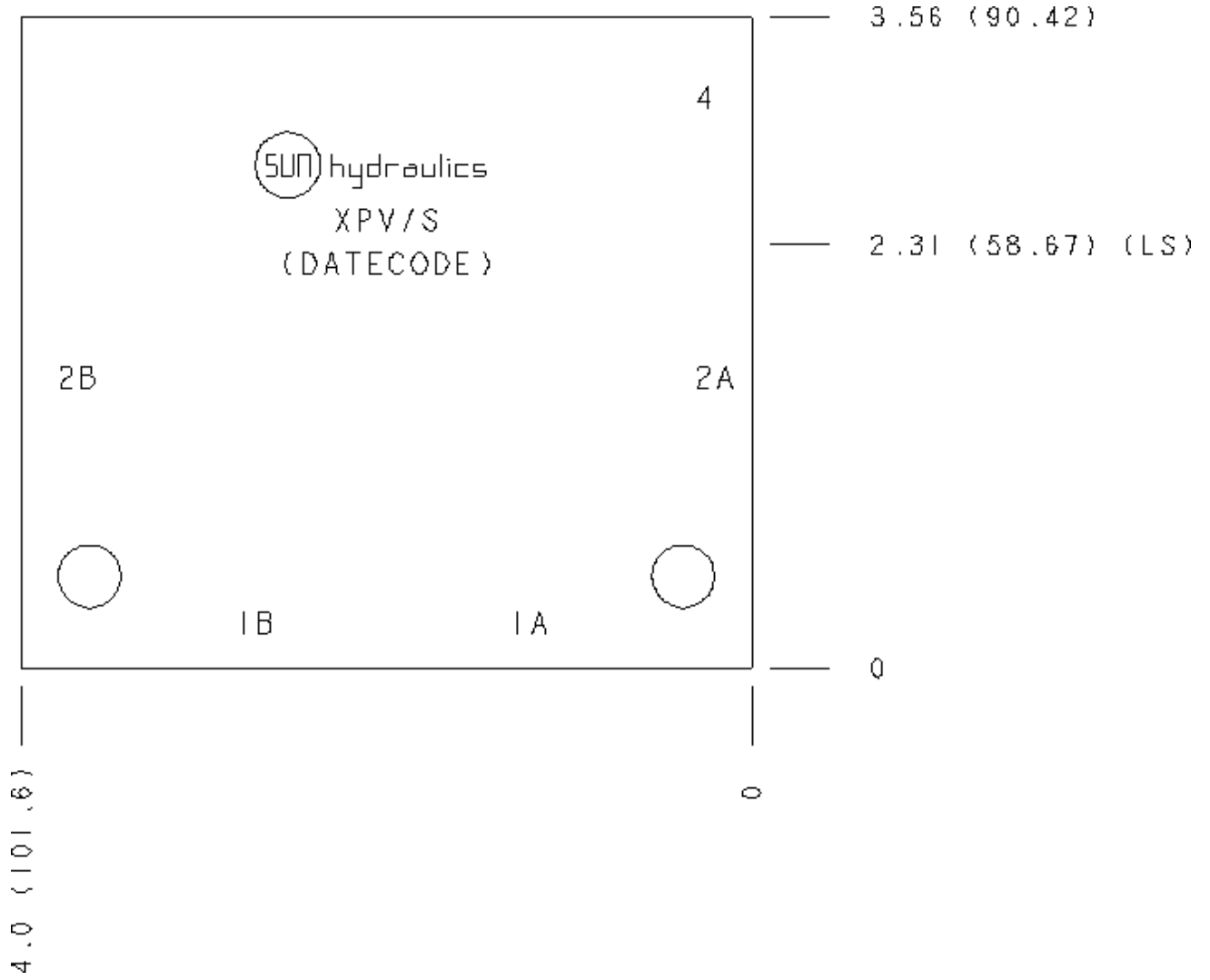
Face 6



Face 7



Face 8



Face 10

