

**TECHNICAL DATA**

Body Type	Line mount
Interface	None
Body Features	Through port with gauge port
Mounting Hole Thread	M6x1.0 - 6H
Mounting Hole Depth	12,7 mm
Mounting Hole Quantity	2
Open Cavities	1
Cavity	T-10A
Port Size	1/2" BSPP
Model Weight	0.30 kg.

**NOTES** *Important:* Carefully consider the maximum system pressure. The pressure rating of the manifold is dependent on the manifold material, with the port type/size a secondary consideration. Manifolds constructed of aluminum are not rated for pressures higher than 3000 psi (210 bar), regardless of the port type/size specified.

**PORT DESIGNATORS**

Modifiers	Ports
FEV, /S	Ports 1 & 2: 1/2" BSPP; Gage Ports: 1/4" BSPP;

**CONFIGURATION OPTIONS**

Model Code Example: FEV

**MODIFIER**

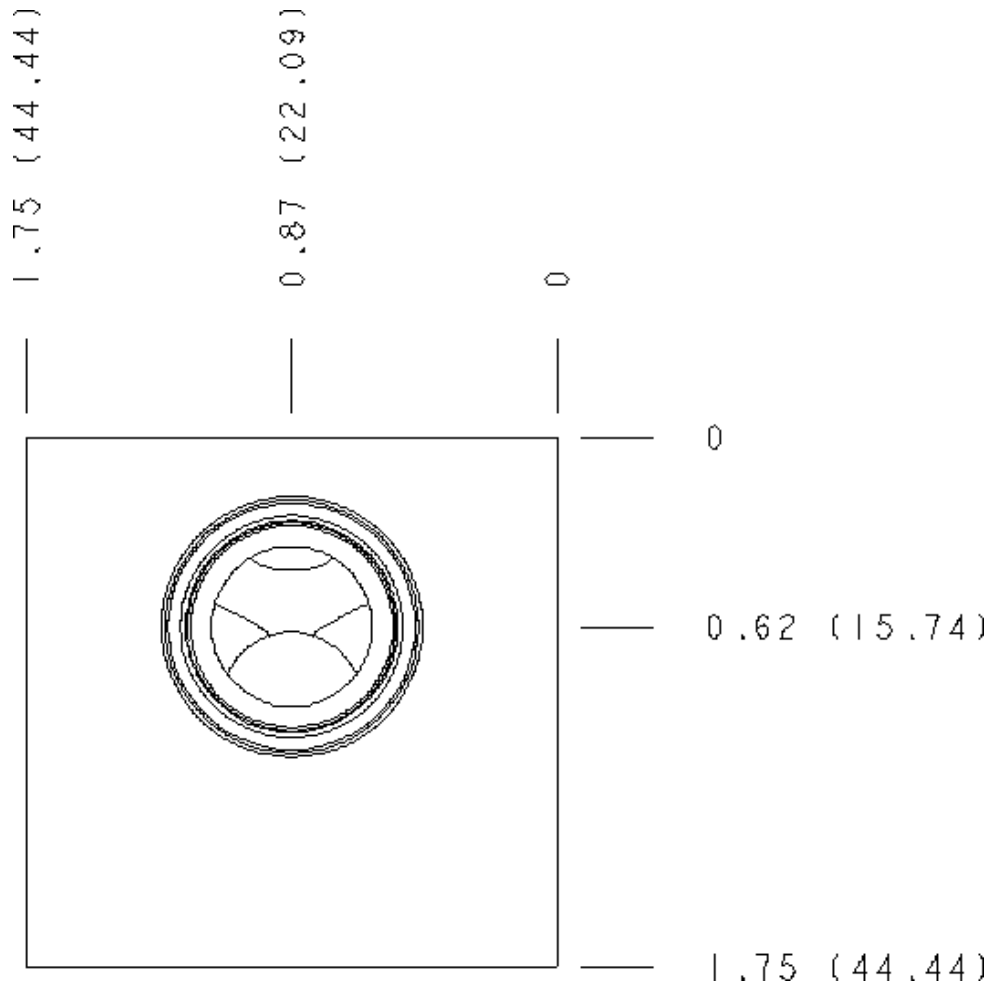
6061-T651 Aluminum, Buna-N  
/S 65-45-12 Ductile Iron, Buna-N, Blackened

**MANIFOLD FACES**

**FACE GRID**

1	2	3	4
5	6	7	8
9	10	11	12

Face 2



Face 5

2.92 (74.16) (LS)  
2.93 (74.42)

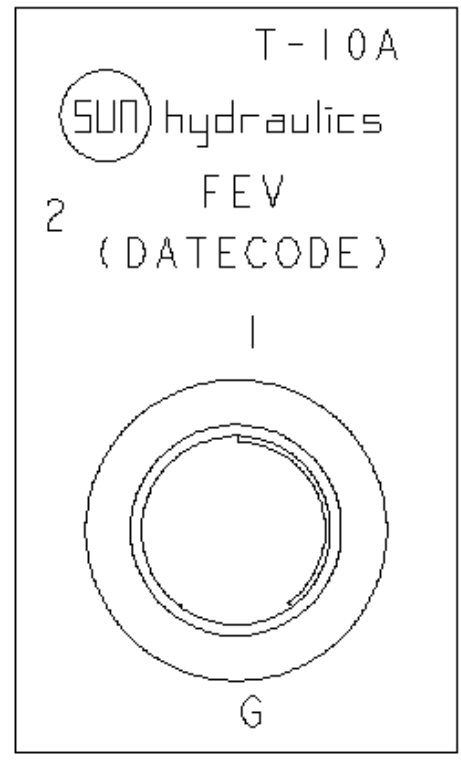
0.87 (22.09)

0

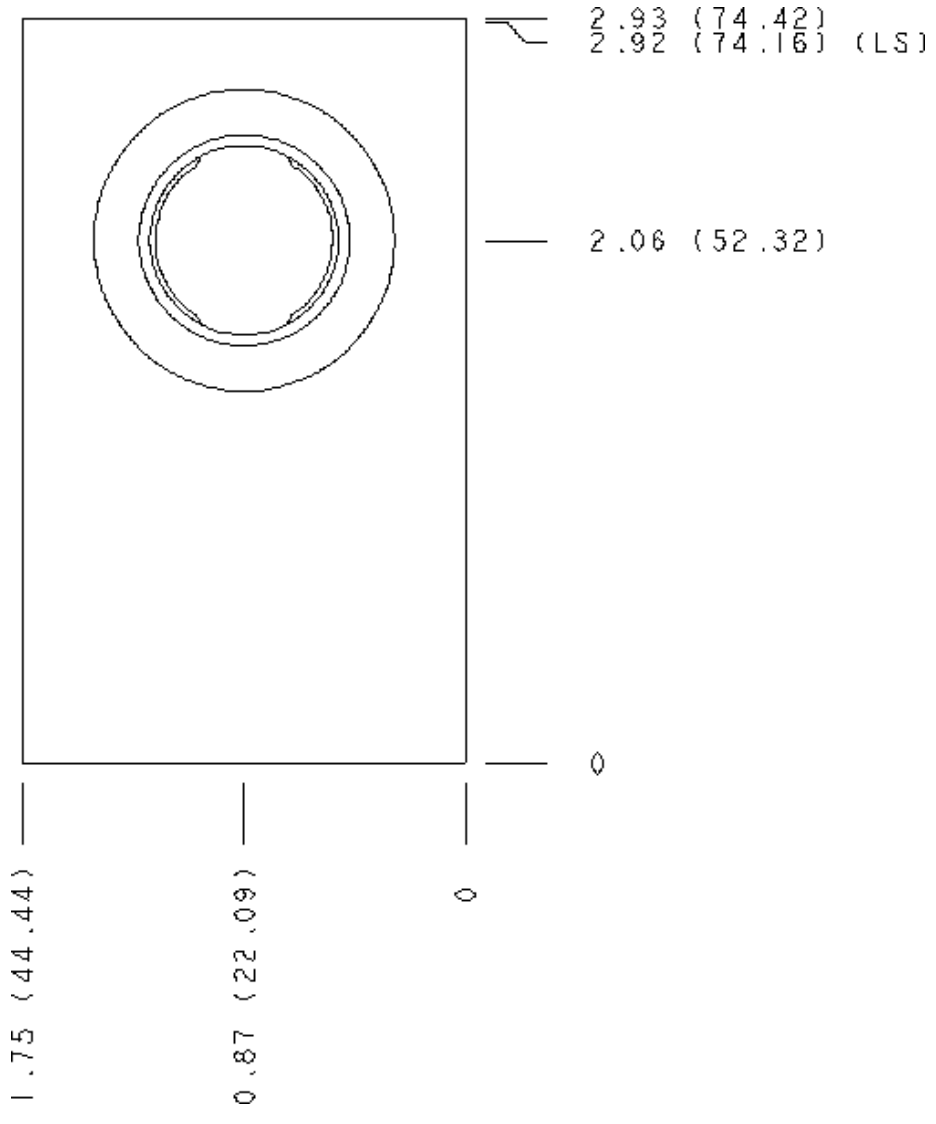
0

0.87 (22.09)

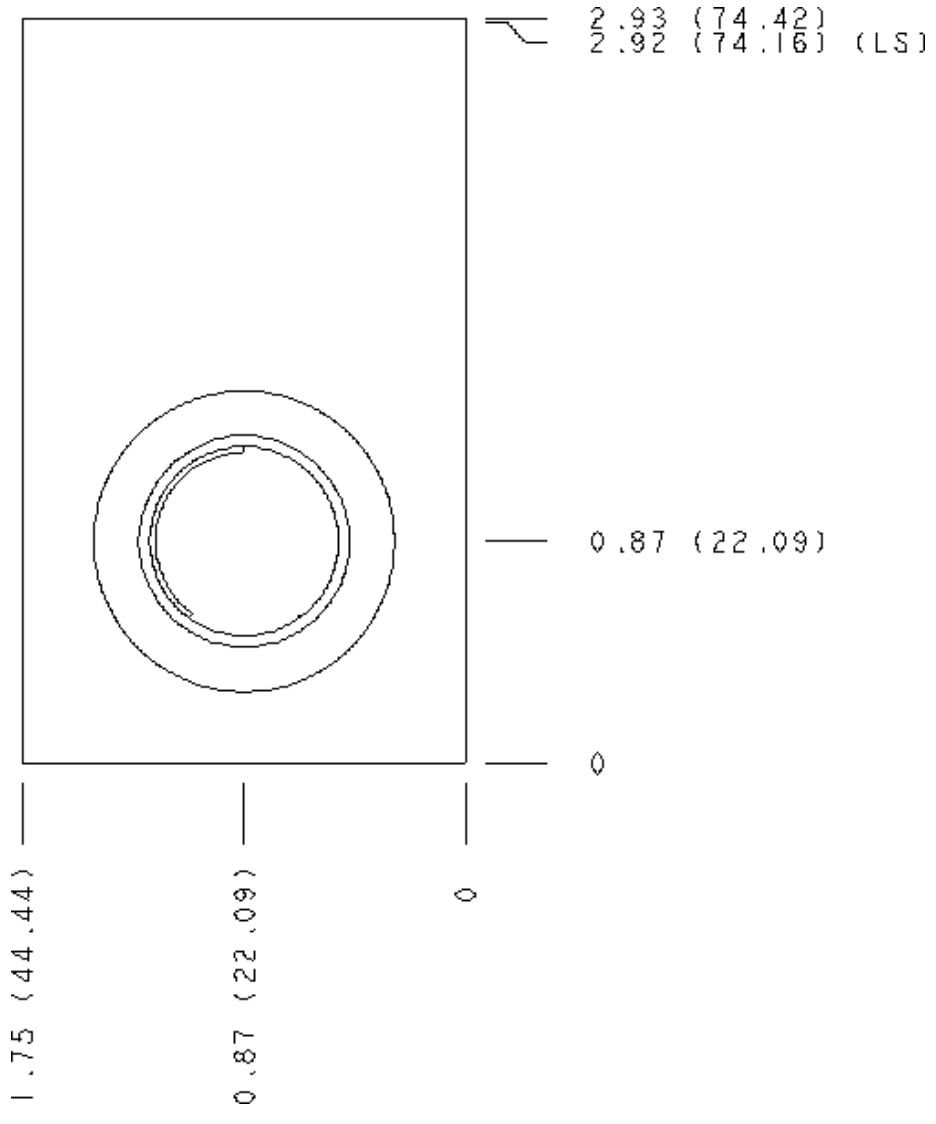
1.75 (44.44)



Face 6



Face 7

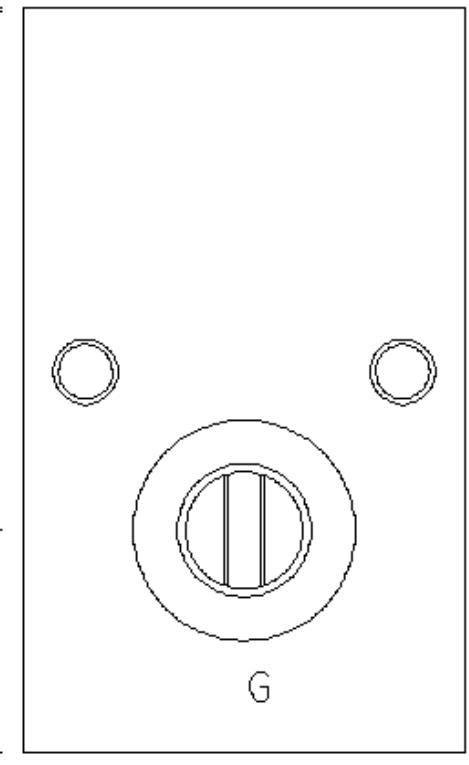


Face 8

2.92 (74.16)  $\frac{2.93}{(74.16)}$  (LS) (LS)

0.87 (22.09)

0



0

0.87 (22.09)

1.75 (44.44)

Face 10

