

TECHNICAL DATA

Body Type	Gasket mount
Interface	Sun
Body Features	Direct mount, cross pilot, 2 gasket ports
Mounting Hole Diameter	10,4 mm
Mounting Hole Depth	Through
Mounting Hole C'bore Diameter	15,0 mm
Mounting Hole Quantity	3
Open Cavities	2
Cavity	T-2A
Port Size	3/4" BSPP
Model Weight	2.57 kg.

CONFIGURATION

/S Modifier 65-45-12 Ductile Iron, Buna-N, Blackened

NOTES

Important: Carefully consider the maximum system pressure. The pressure rating of the manifold is dependent on the manifold material, with the port type/size a secondary consideration. Manifolds constructed of aluminum are not rated for pressures higher than 3000 psi (210 bar), regardless of the port type/size specified.

PORT DESIGNATORS

Modifiers	Ports
VYW, /V	Ports V1 & V2: 3/4" BSPP;

INCLUDED COMPONENTS

Part	Description	Quantity
500-001-114	O-Ring	2

CONFIGURATION OPTIONS
Model Code Example: VYW/S

MODIFIER (S)

- /S 65-45-12 Ductile Iron, Buna-N, Blackened
- 6061-T651 Aluminum, Buna-N
- /V 6061-T651 Aluminum, Viton
- /Y 65-45-12 Ductile Iron, Viton, Blackened

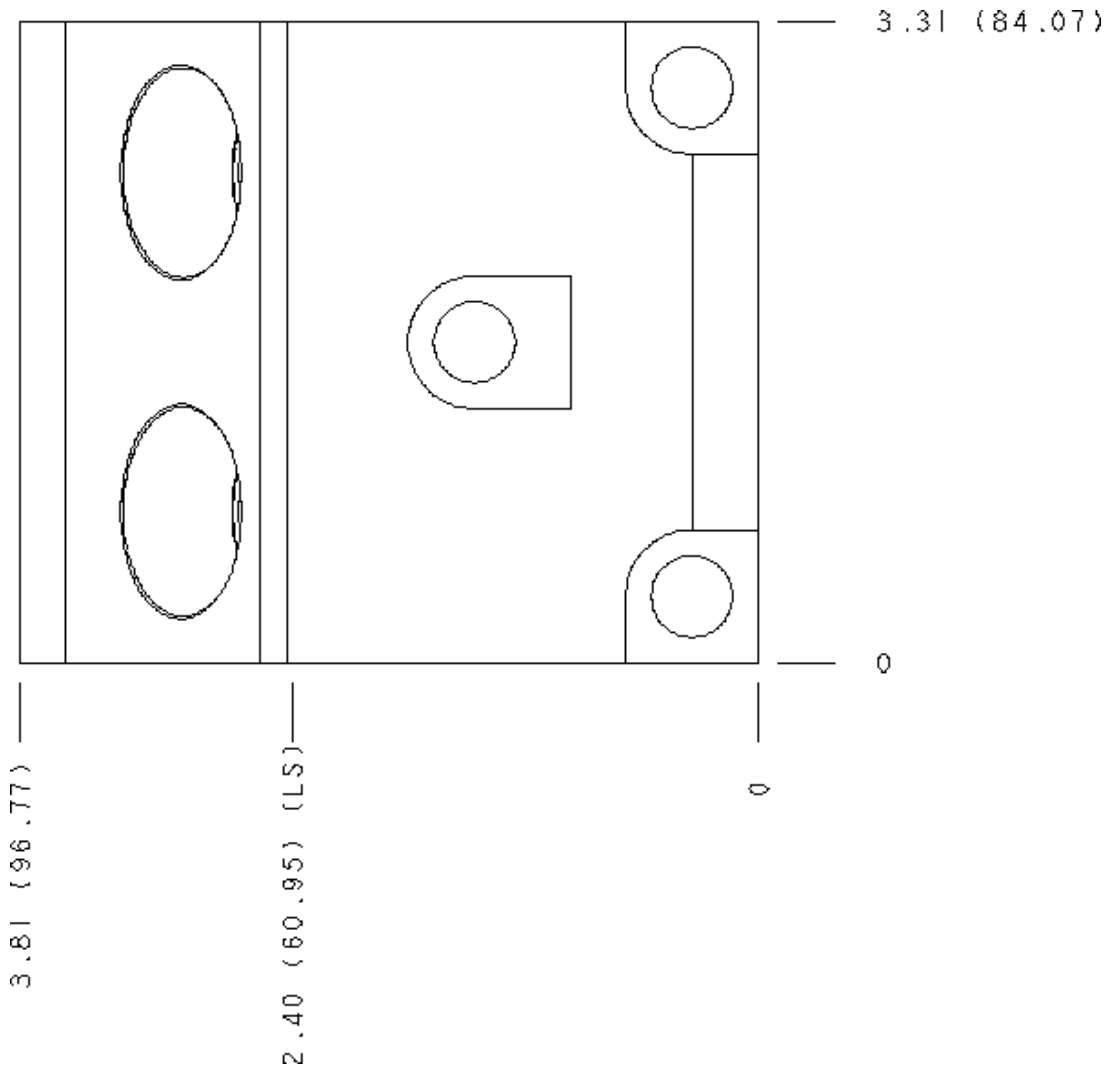
MANIFOLD FACES

FACE GRID

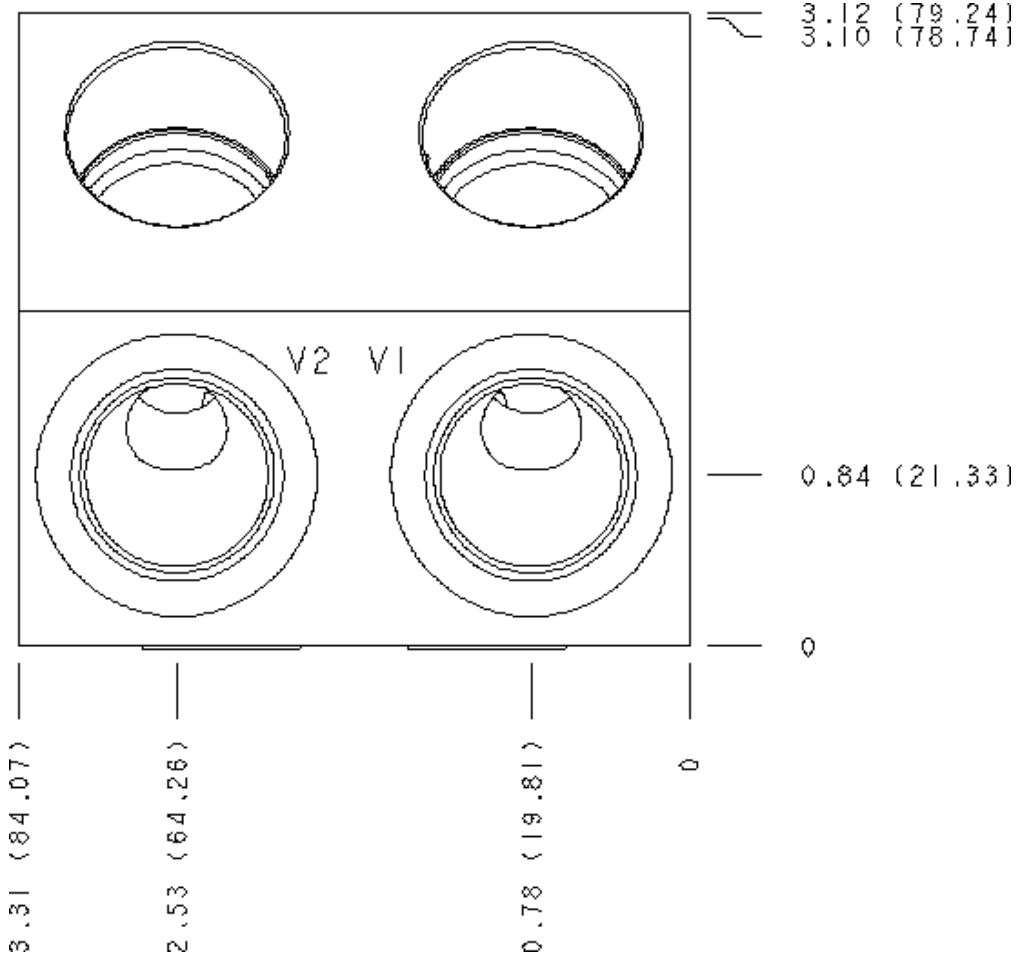
1	2	3	4
5	6	7	8
9	10	11	12

Face 2

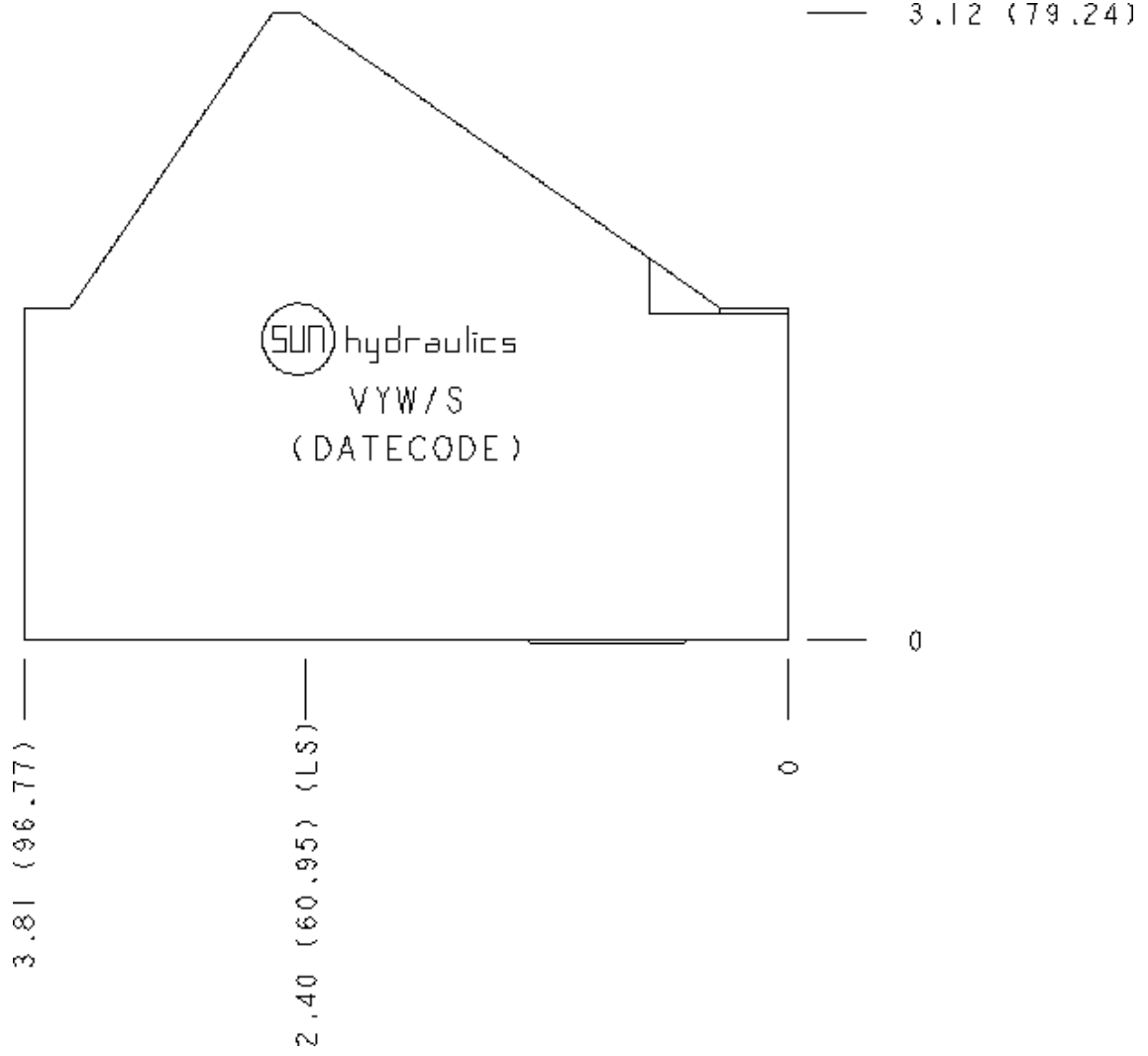
Face 6



Face 9



Face 10



Face 14

