

TECHNICAL DATA

Body Type	Line mount
Interface	None
Body Features	Ninety degree with reverse flow check - reducing
Mounting Hole Diameter	10,4 mm
Mounting Hole Depth	Through
Mounting Hole Quantity	2
Open Cavities	1
Cavity	T-17A
Port Size	1" BSPP
Model Weight	2.78 kg.

NOTES *Important:* Carefully consider the maximum system pressure. The pressure rating of the manifold is dependent on the manifold material, with the port type/size a secondary consideration. Manifolds constructed of aluminum are not rated for pressures higher than 3000 psi (210 bar), regardless of the port type/size specified.

PORT DESIGNATORS

Modifiers	Ports
H4X, /V	Ports 1 & 2: 1" BSPP; Port 3: 3/4" BSPP; Gage Port: 1/4" BSPP;

INCLUDED COMPONENTS

Part	Description	Quantity
CXGDXCN	Cartridge	1

CONFIGURATION OPTIONS
Model Code Example: H4X

MODIFIER

- 6061-T651 Aluminum, Buna-N**
- /S 65-45-12 Ductile Iron, Buna-N, Blackened
- /V 6061-T651 Aluminum, Viton
- /Y 65-45-12 Ductile Iron, Viton, Blackened

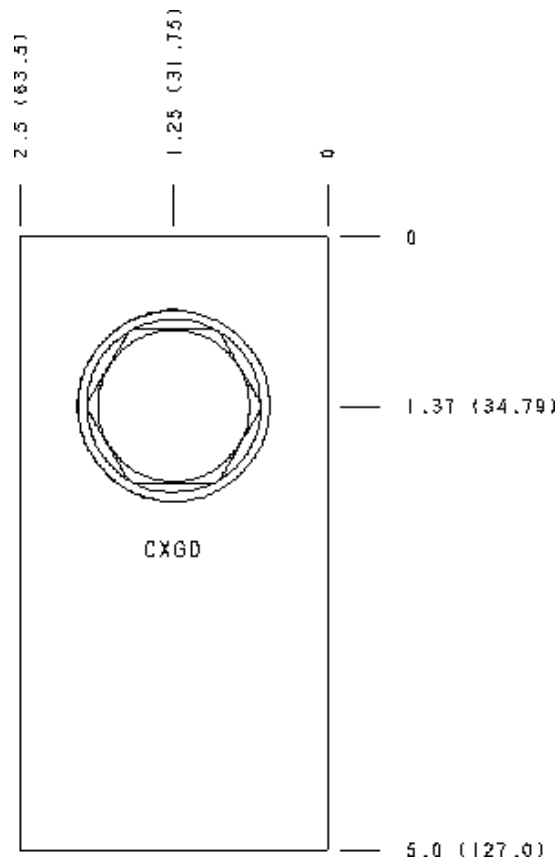
MANIFOLD FACES

FACE GRID

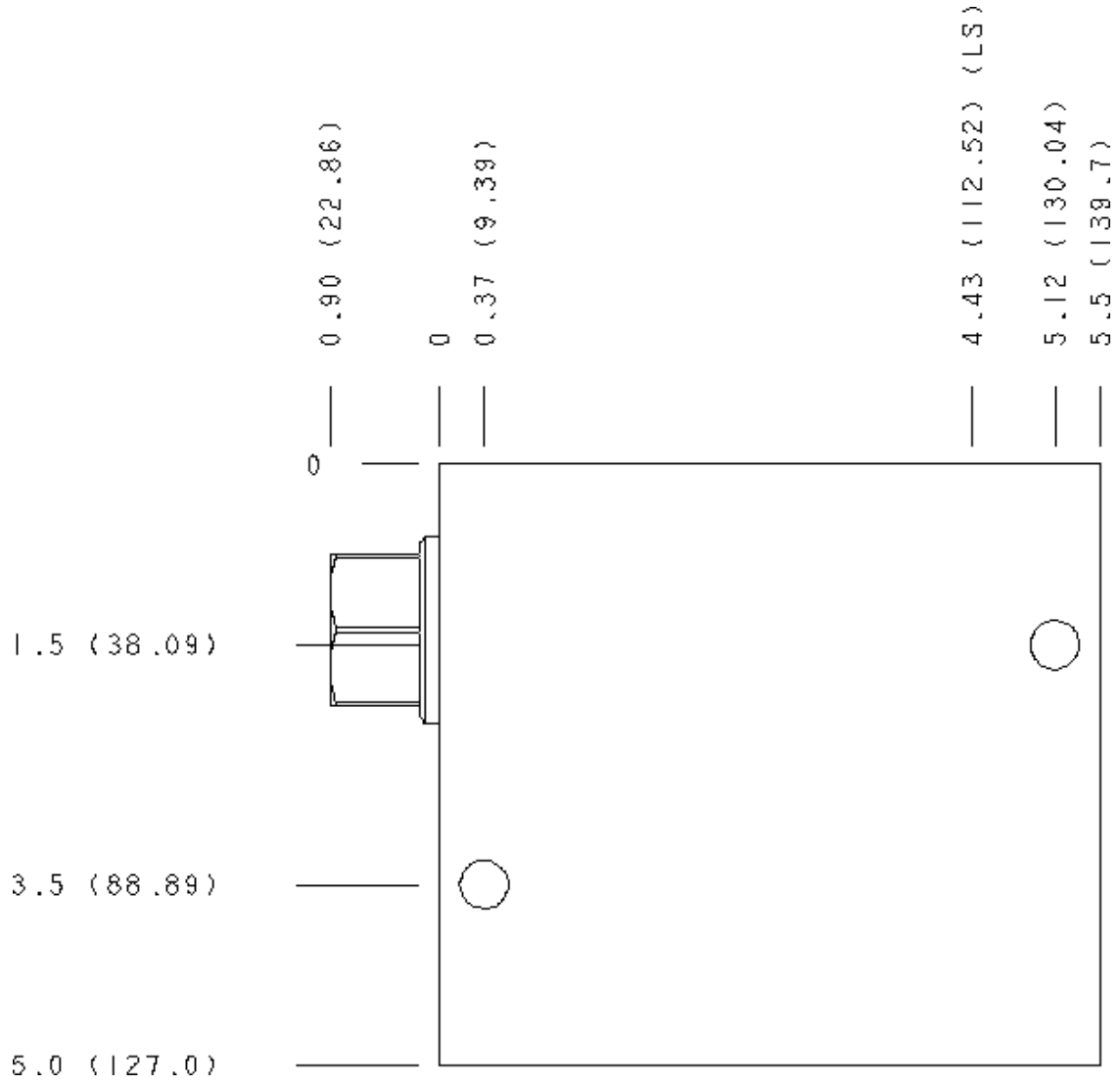
1	2	3	4
5	6	7	8
9	10	11	12

Face 2

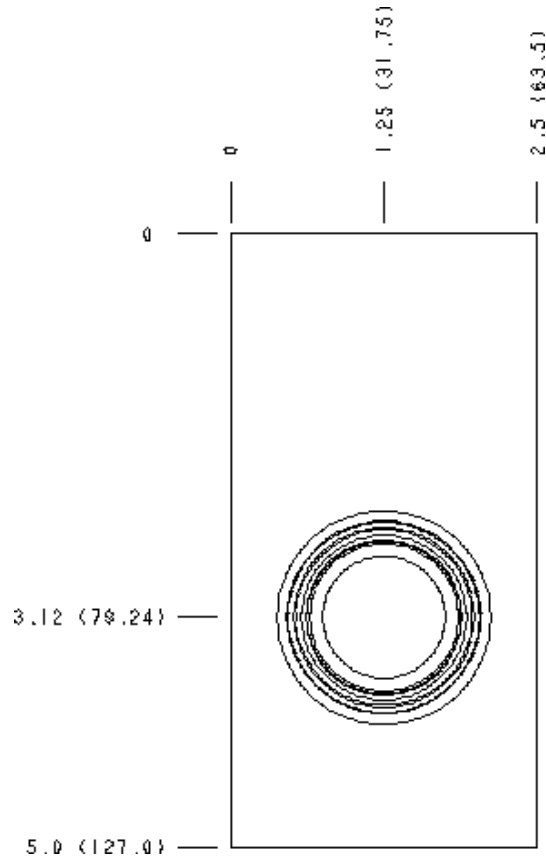
Face 5



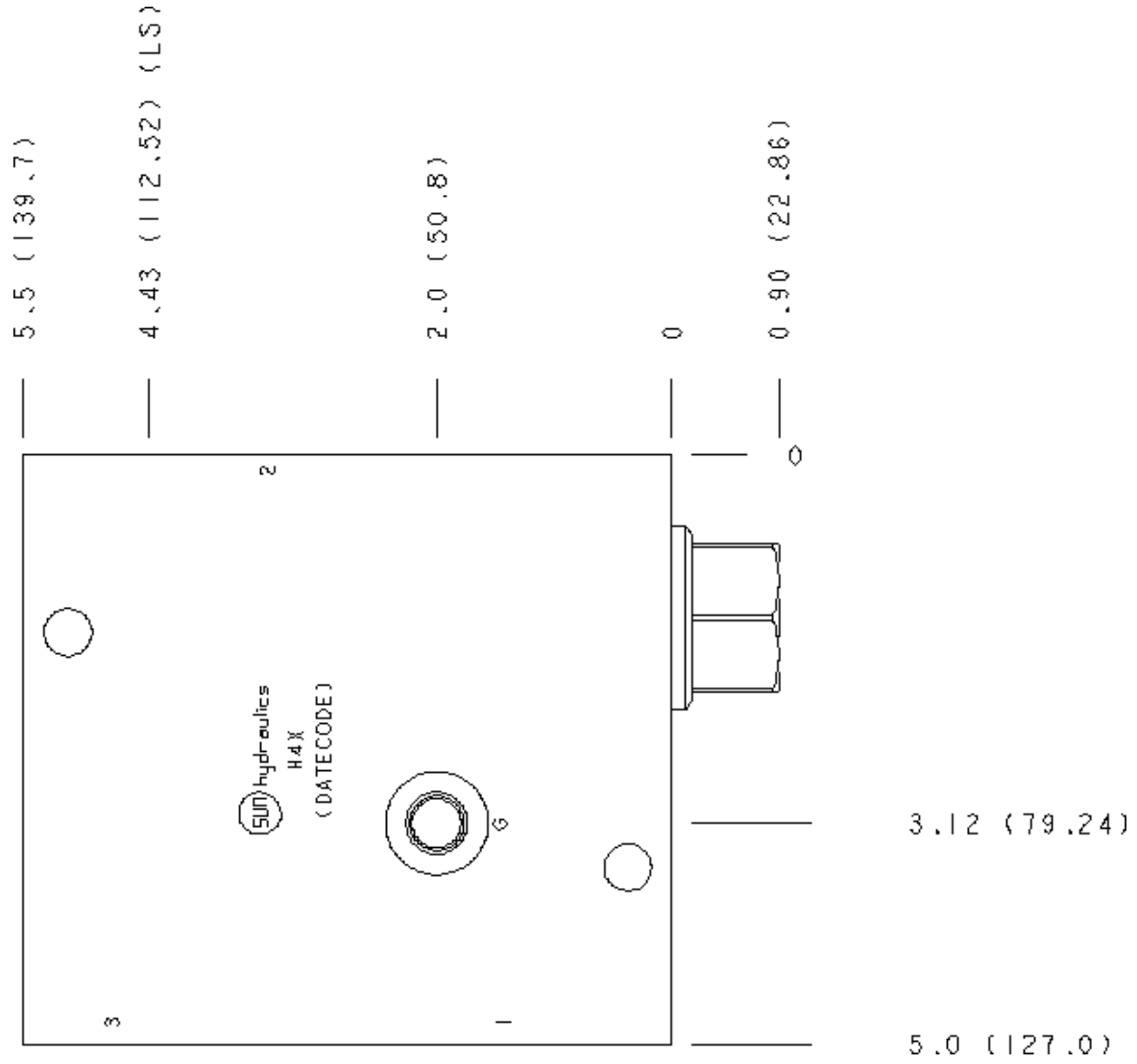
Face 6



Face 7



Face 8



Face 10

