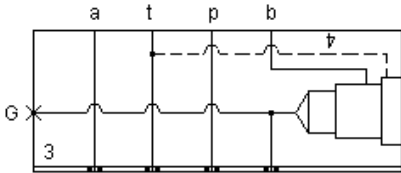
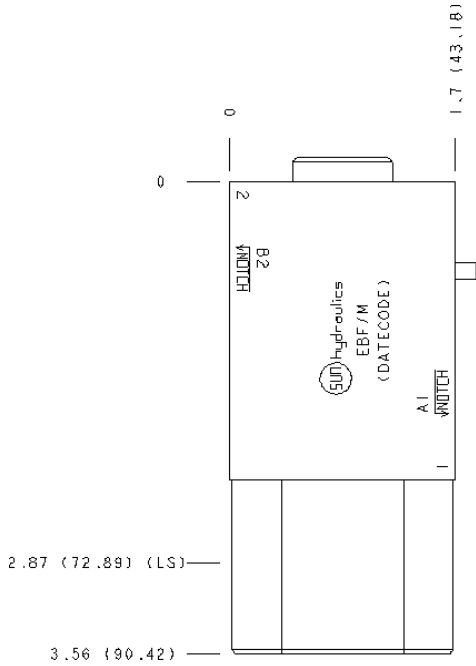


On A, drain to T (A2)



On B, drain to T (B1)



CONFIGURATION

/M Modifier 6061-T651 Aluminum, Metric, Buna-N

TECHNICAL DATA

Body Type	Sandwich
Interface	ISO 03
Body Features	On A or B, port 3 to T or P
Stack Height	44,5 mm
Open Cavities	1
Cavity	T-11A
Port Size	1/4" NPTF
Model Weight	0.39 kg.

NOTES

Important: Carefully consider the maximum system pressure. The pressure rating of the manifold is dependent on the manifold material, with the port type/size a secondary consideration. Manifolds constructed of aluminum are not rated for pressures higher than 3000 psi (210 bar), regardless of the port type/size specified.

PORT DESIGNATORS

Modifiers	Ports
EBF, /V	Gage Port (Plugged): 1/4" NPTF;
EBF/M, /Z	Gage Port (Plugged): 1/4" BSPP;

INCLUDED COMPONENTS

Part	Description	Quantity
330-018-002	Plug	1
500-001-012	O-Ring	4
700-002	Seal Plate	1
811-001-006	Pin	1
850-004-250	Plug	1

CONFIGURATION OPTIONS
Model Code Example: EBF/M

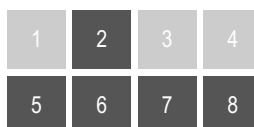
MODIFIER

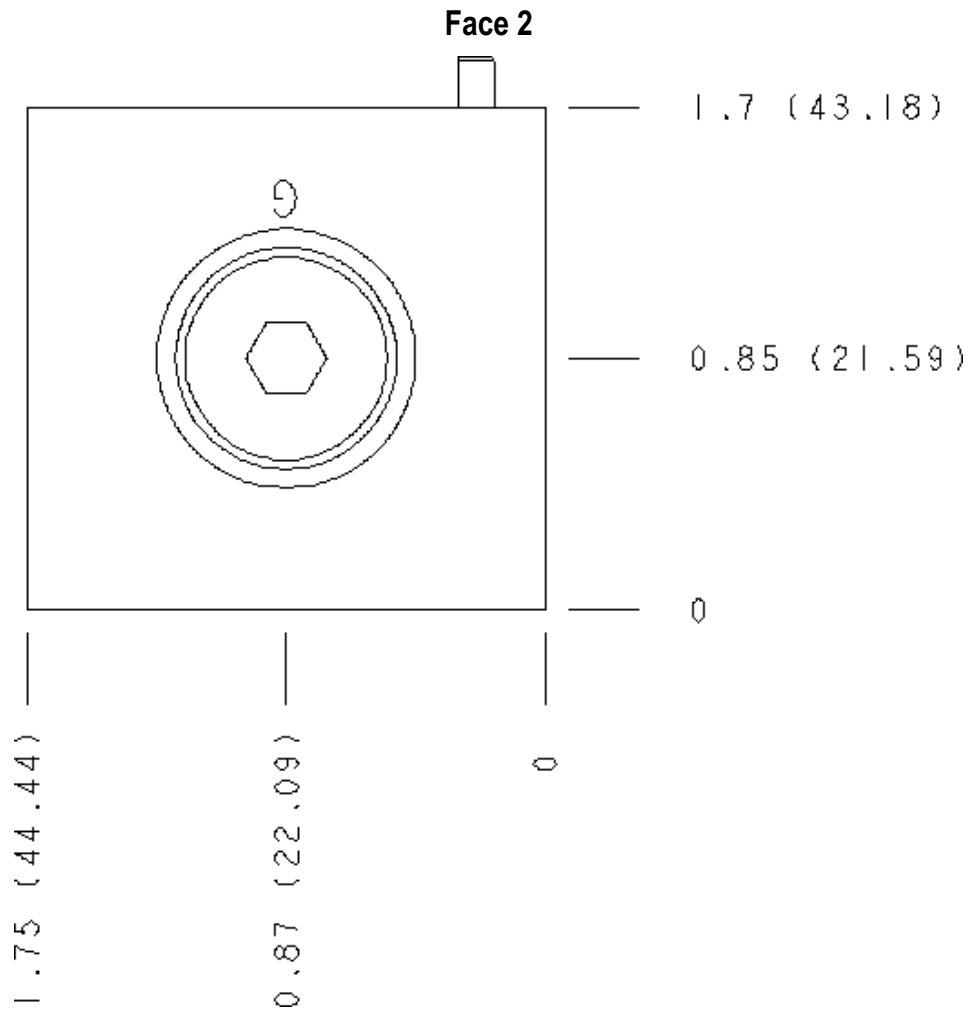
(/M)

- /M** 6061-T651 Aluminum, Metric, Buna-N
- 6061-T651 Aluminum, Buna-N
- /S** 65-45-12 Ductile Iron, Buna-N, Blackened
- /T** 65-45-12 Ductile Iron, Metric, Buna-N, Blackened
- /V** 6061-T651 Aluminum, Viton
- /W** 65-45-12 Ductile Iron, Metric, Viton, Blackened
- /Y** 65-45-12 Ductile Iron, Viton, Blackened
- /Z** 6061-T651 Aluminum, Metric, Viton

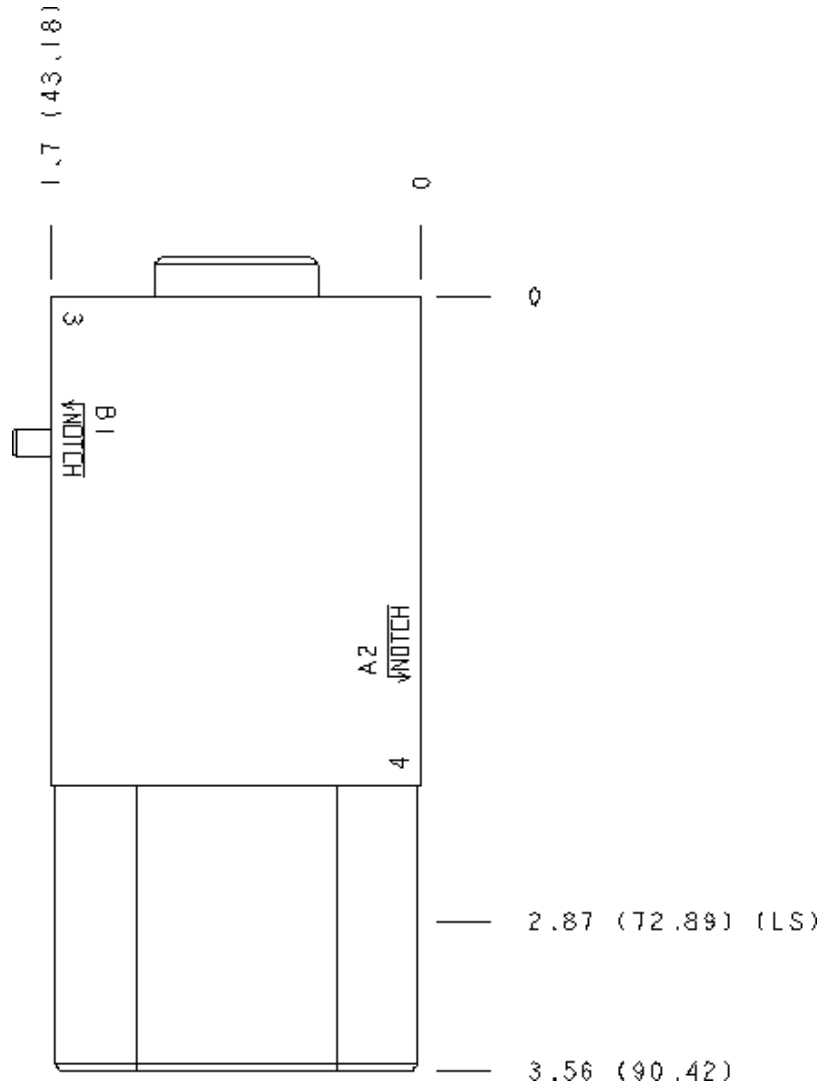
MANIFOLD FACES

FACE GRID

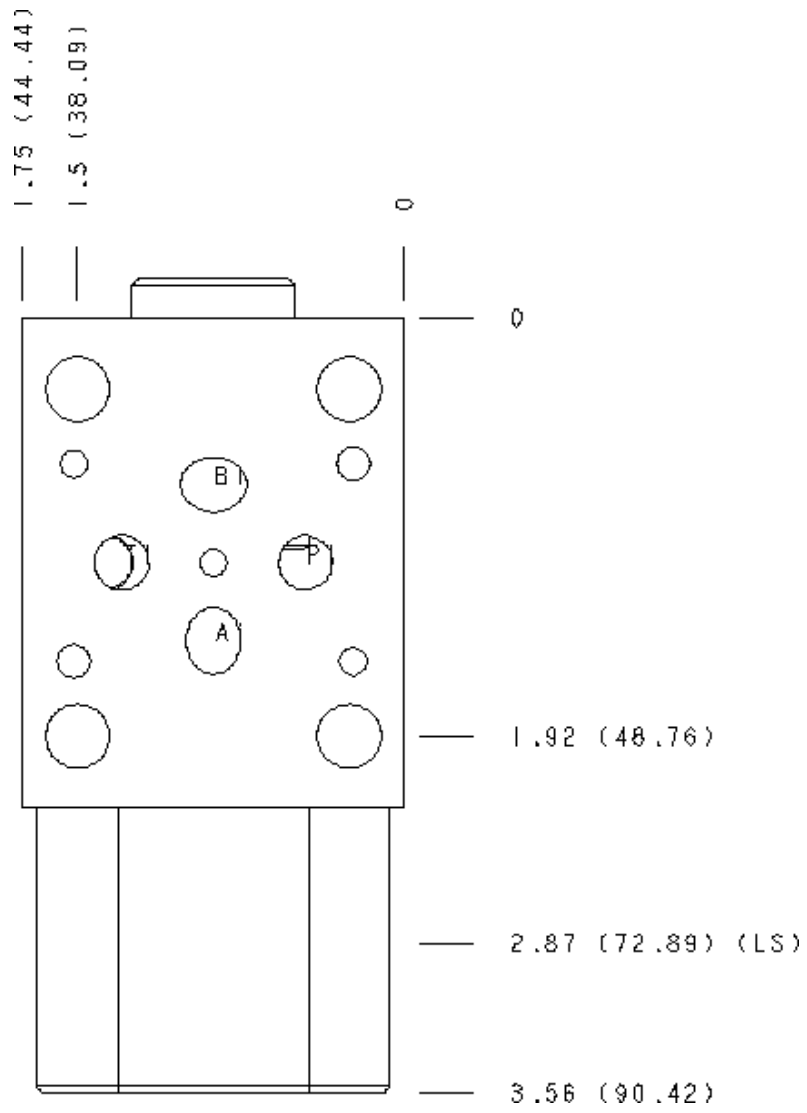




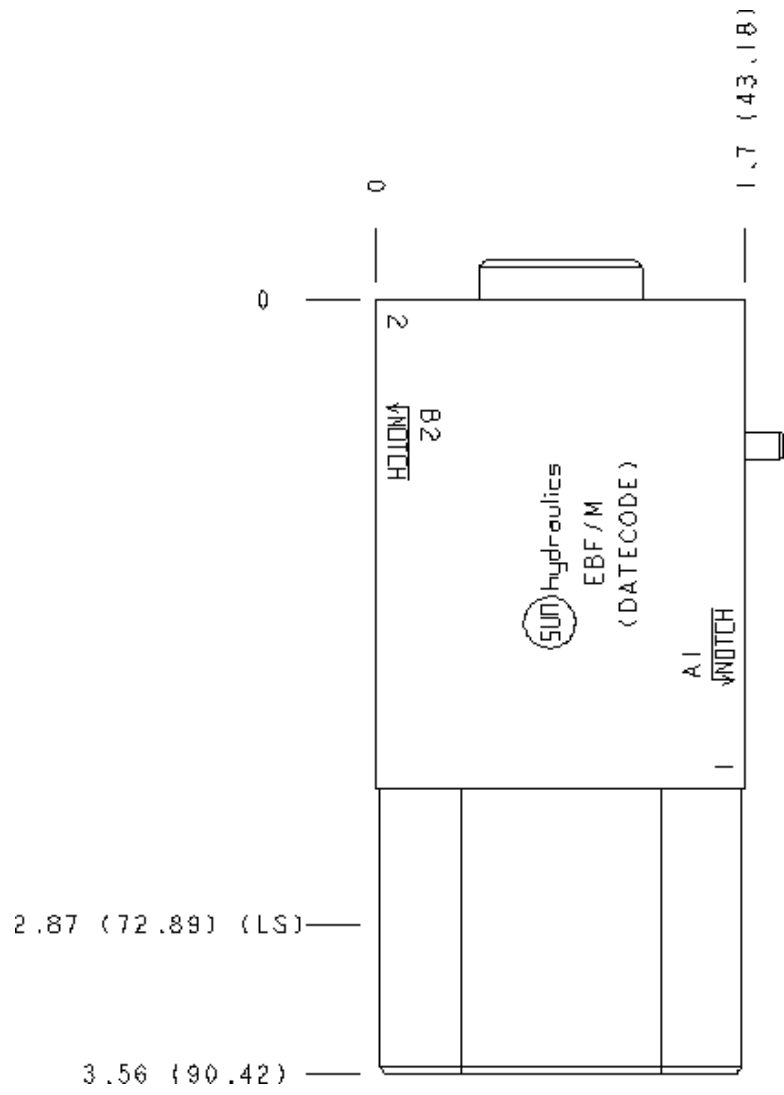
Face 5



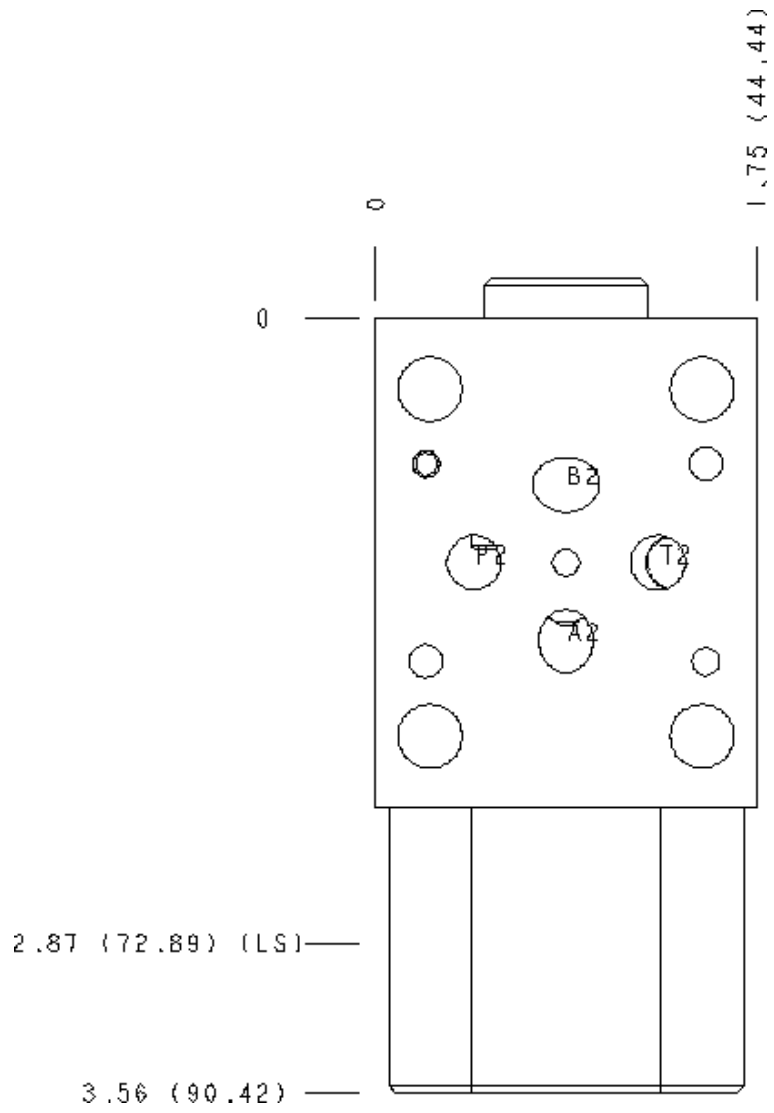
Face 6



Face 7



Face 8



Face 10

