

TECHNICAL DATA

Body Type	Line mount
Interface	None
Body Features	Ninety degree with reverse flow check - reducing
Mounting Hole Diameter	8.6 mm
Mounting Hole Depth	Through
Mounting Hole Quantity	2
Open Cavities	1
Cavity	T-11A
Port Size	3/8" NPTF
Model Weight	0.56 kg.

NOTES *Important:* Carefully consider the maximum system pressure. The pressure rating of the manifold is dependent on the manifold material, with the port type/size a secondary consideration. Manifolds constructed of aluminum are not rated for pressures higher than 3000 psi (210 bar), regardless of the port type/size specified.

PORT DESIGNATORS

Modifiers	Ports
E2B, /V	Ports 1 & 2: 3/8" NPTF; Port 3: 1/4" NPTF; Gage Port: 1/4" NPTF;

INCLUDED COMPONENTS

Part	Description	Quantity
CXCDXCN	Cartridge	1

CONFIGURATION OPTIONS
Model Code Example: E2B

MODIFIER

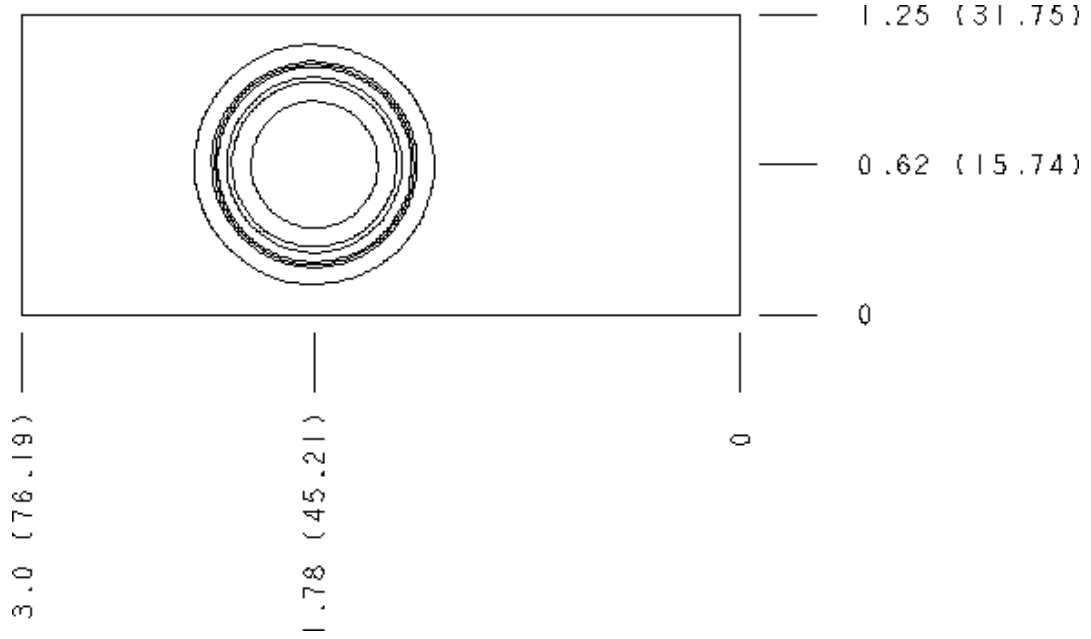
- 6061-T651 Aluminum, Buna-N
- /S 65-45-12 Ductile Iron, Buna-N, Blackened
- /V 6061-T651 Aluminum, Viton
- /Y 65-45-12 Ductile Iron, Viton, Blackened

MANIFOLD FACES

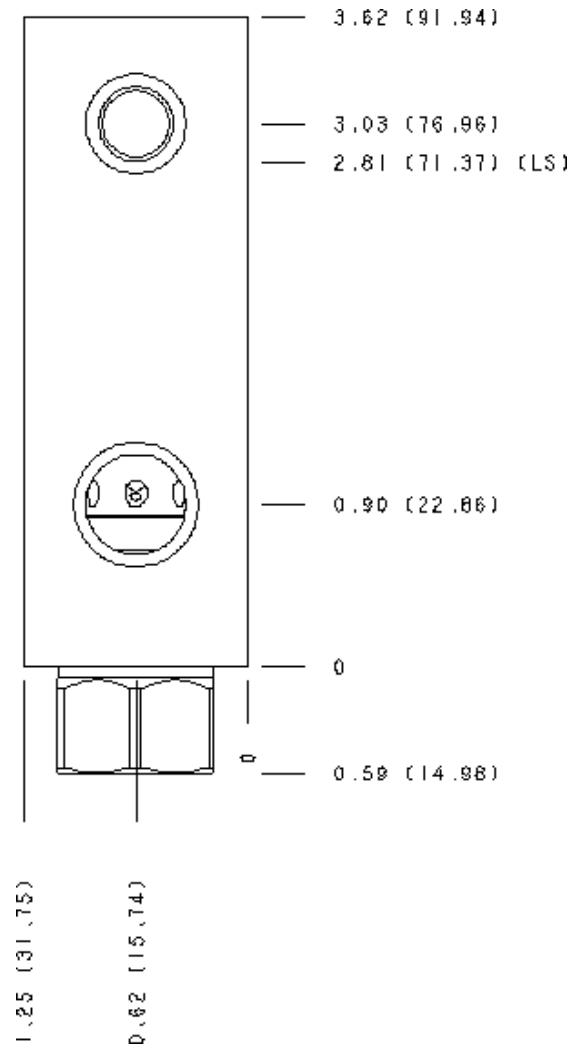
FACE GRID

1	2	3	4
5	6	7	8
9	10	11	12

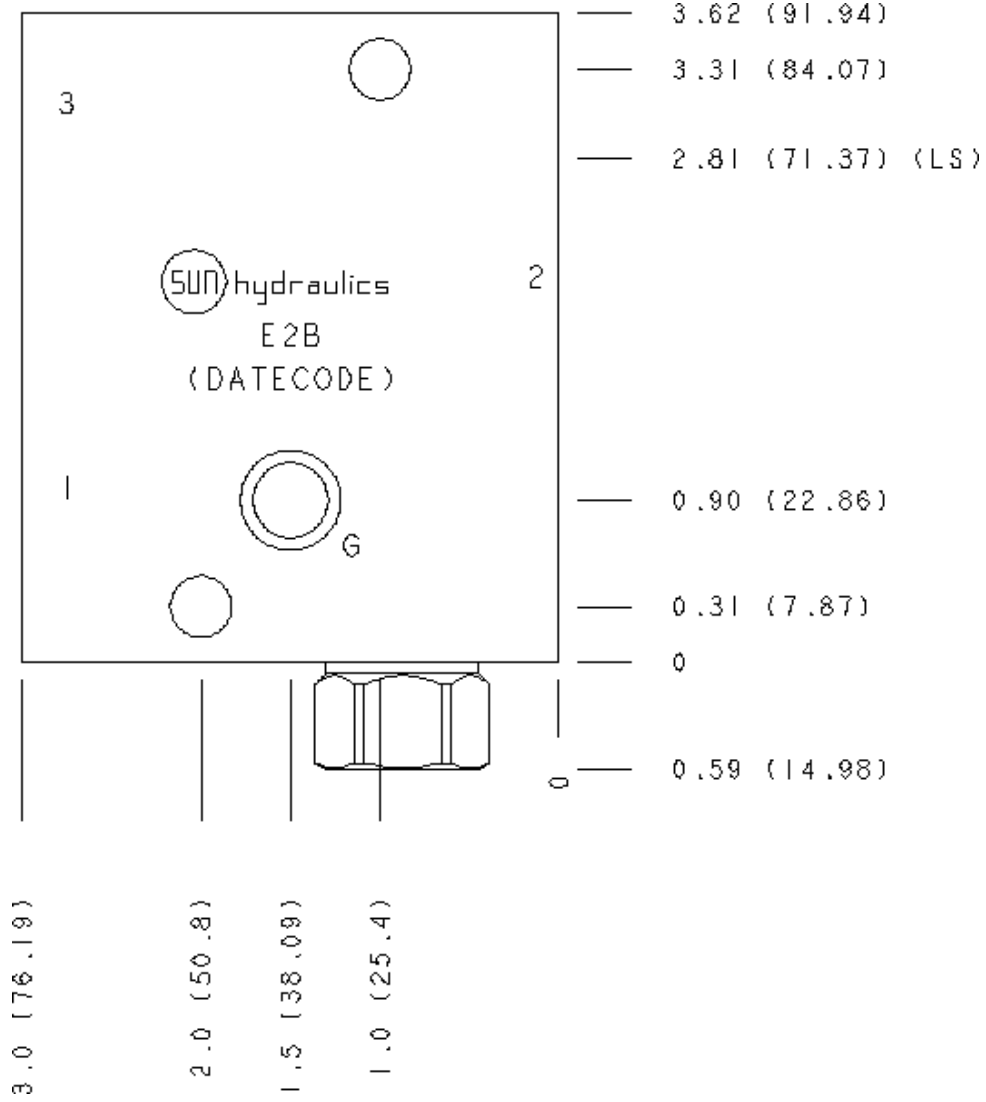
Face 2



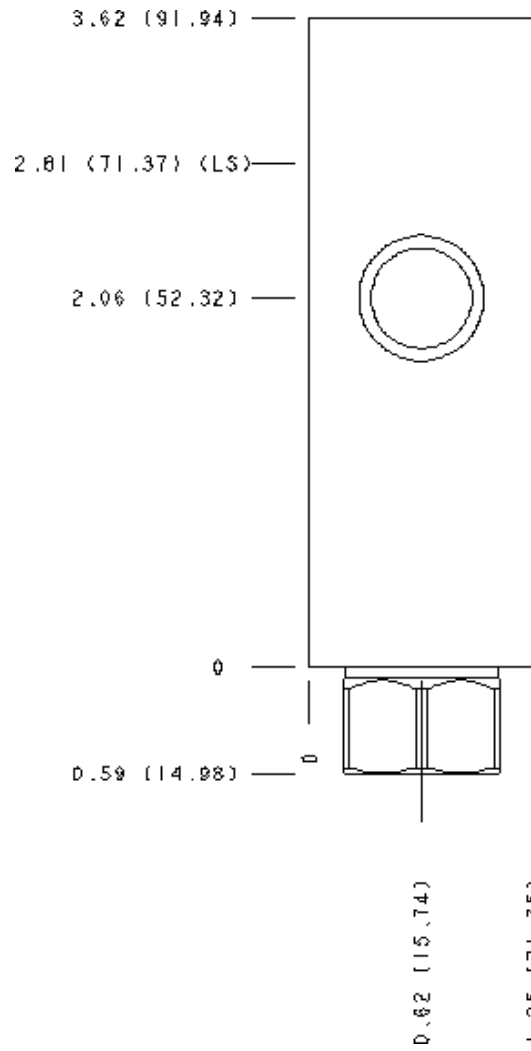
Face 5



Face 6



Face 7



Face 10

