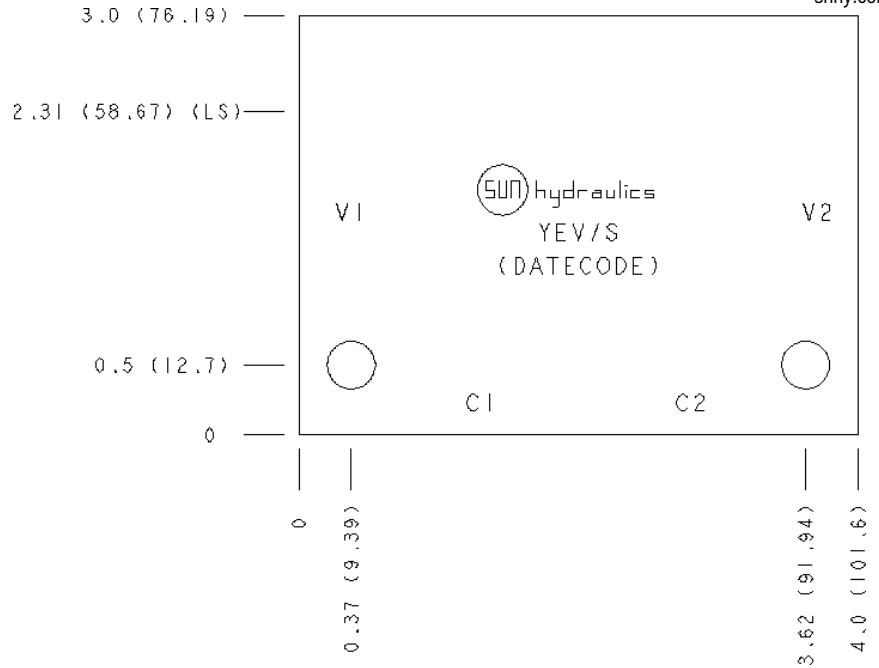


**CONFIGURATION**

**IS** Modifier 65-45-12 Ductile Iron, Buna-N, Blackened



**TECHNICAL DATA**

Body Type	Line mount
Interface	None
Body Features	Cross pilot
Mounting Hole Diameter	8.6 mm
Mounting Hole Depth	Through
Mounting Hole Quantity	2
Open Cavities	2
Cavity	T-11A
Port Size	1/2" BSPP
Model Weight	1.29 kg.

**NOTES** *Important:* Carefully consider the maximum system pressure. The pressure rating of the manifold is dependent on the manifold material, with the port type/size a secondary consideration. Manifolds constructed of aluminum are not rated for pressures higher than 3000 psi (210 bar), regardless of the port type/size specified.

**PORT DESIGNATORS**

Modifiers	Ports
YEV, /S	All Ports: 1/2" BSPP;

**CONFIGURATION OPTIONS**  
**Model Code Example: YEV/S**

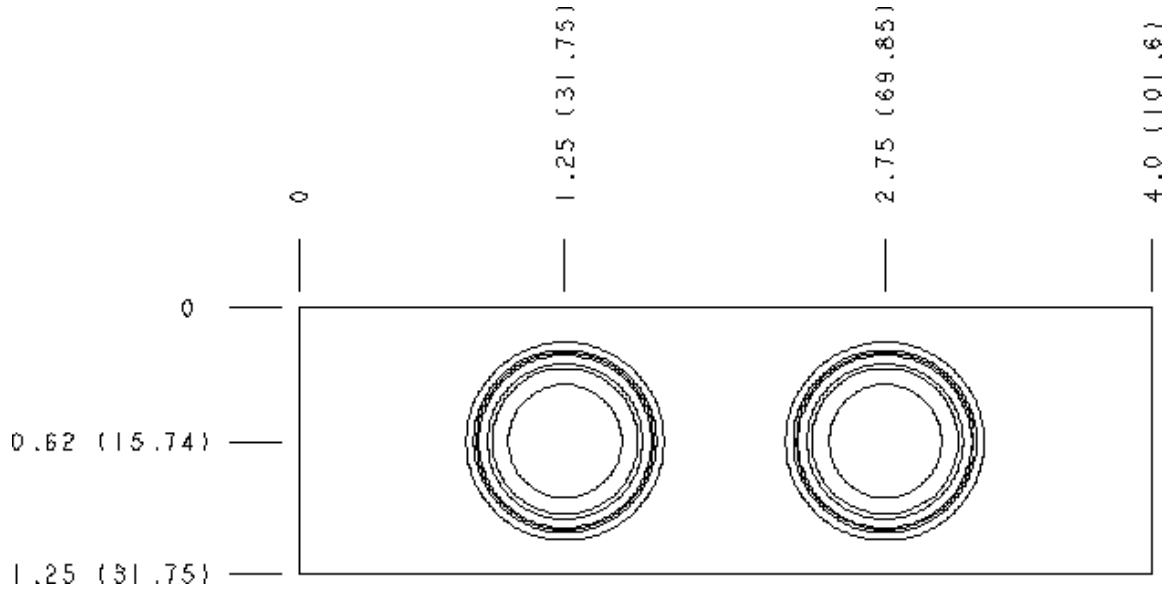
**MODIFIER** (IS)  
**IS** 65-45-12 Ductile Iron, Buna-N, Blackened  
 6061-T651 Aluminum, Buna-N

**MANIFOLD FACES**

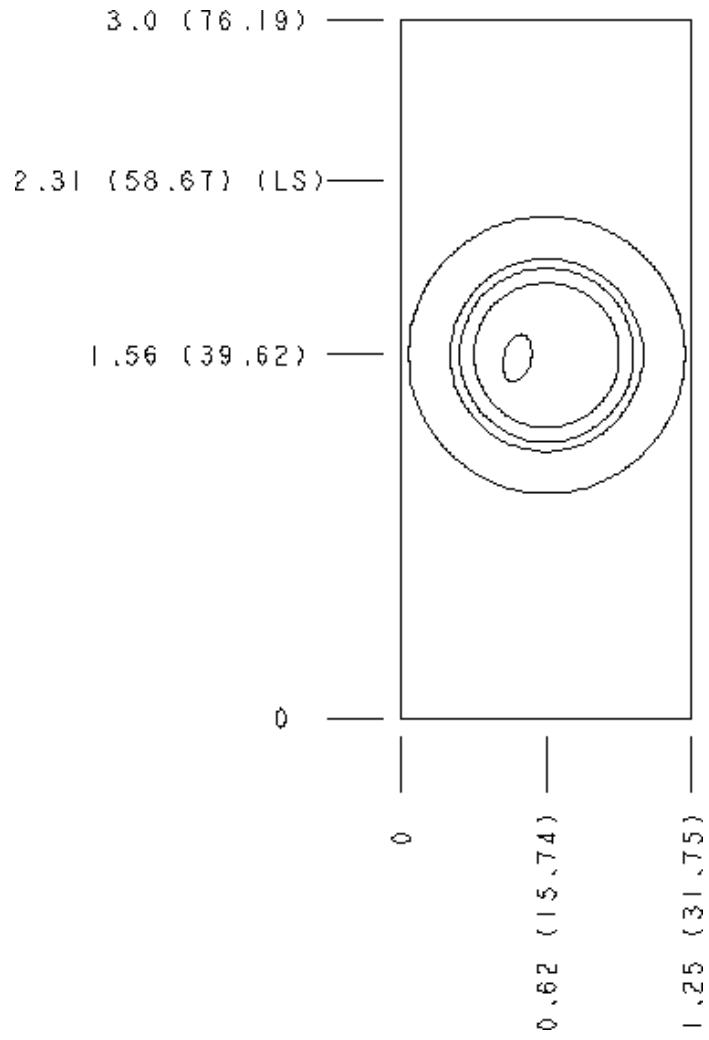
**FACE GRID**

1	2	3	4
5	6	7	8
9	10	11	12

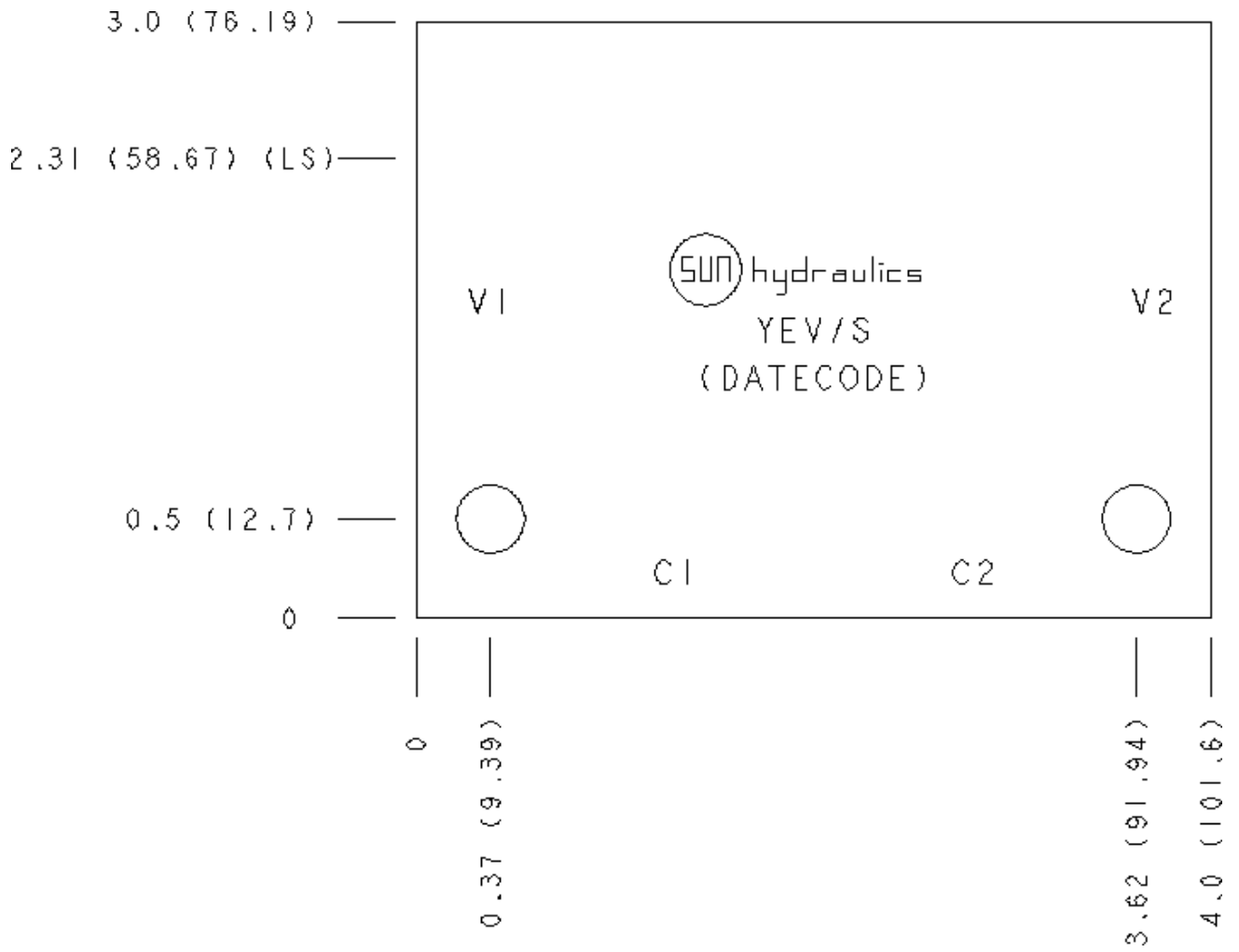
### Face 2



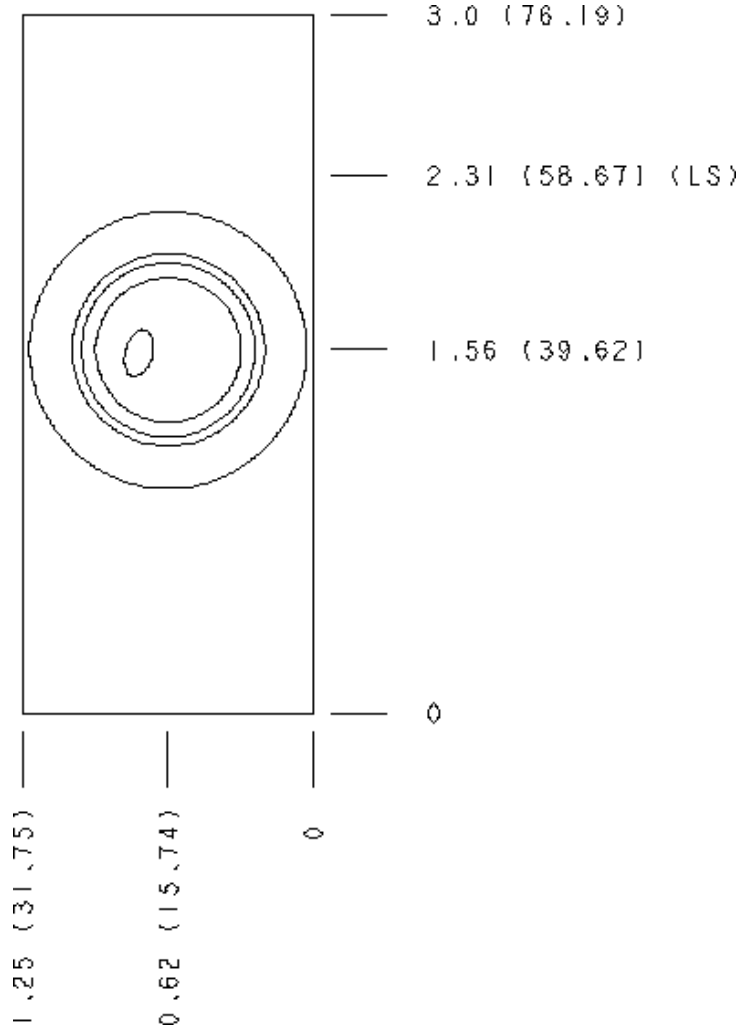
### Face 5



Face 6



### Face 7



### Face 10

