

**CONFIGURATION**

/S Modifier 65-45-12 Ductile Iron, Buna-N, Blackened

**TECHNICAL DATA**

Body Type	Line mount
Interface	None
Body Features	Ninety degree with high capacity port 3
Mounting Hole Diameter	8.6 mm
Mounting Hole Depth	Through
Mounting Hole Quantity	2
Open Cavities	1
Cavity	T-11A
Port Size	3/8" BSPP
Model Weight	0.86 kg.

**NOTES**

**Important:** Carefully consider the maximum system pressure. The pressure rating of the manifold is dependent on the manifold material, with the port type/size a secondary consideration. Manifolds constructed of aluminum are not rated for pressures higher than 3000 psi (210 bar), regardless of the port type/size specified.

**PORT DESIGNATORS**

Modifiers	Ports
EAU, /S	All Ports: 3/8" BSPP;

**CONFIGURATION OPTIONS**

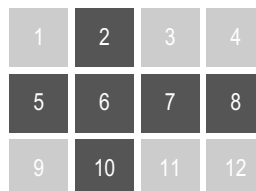
Model Code Example: EAU/S

**MODIFIER** (S)

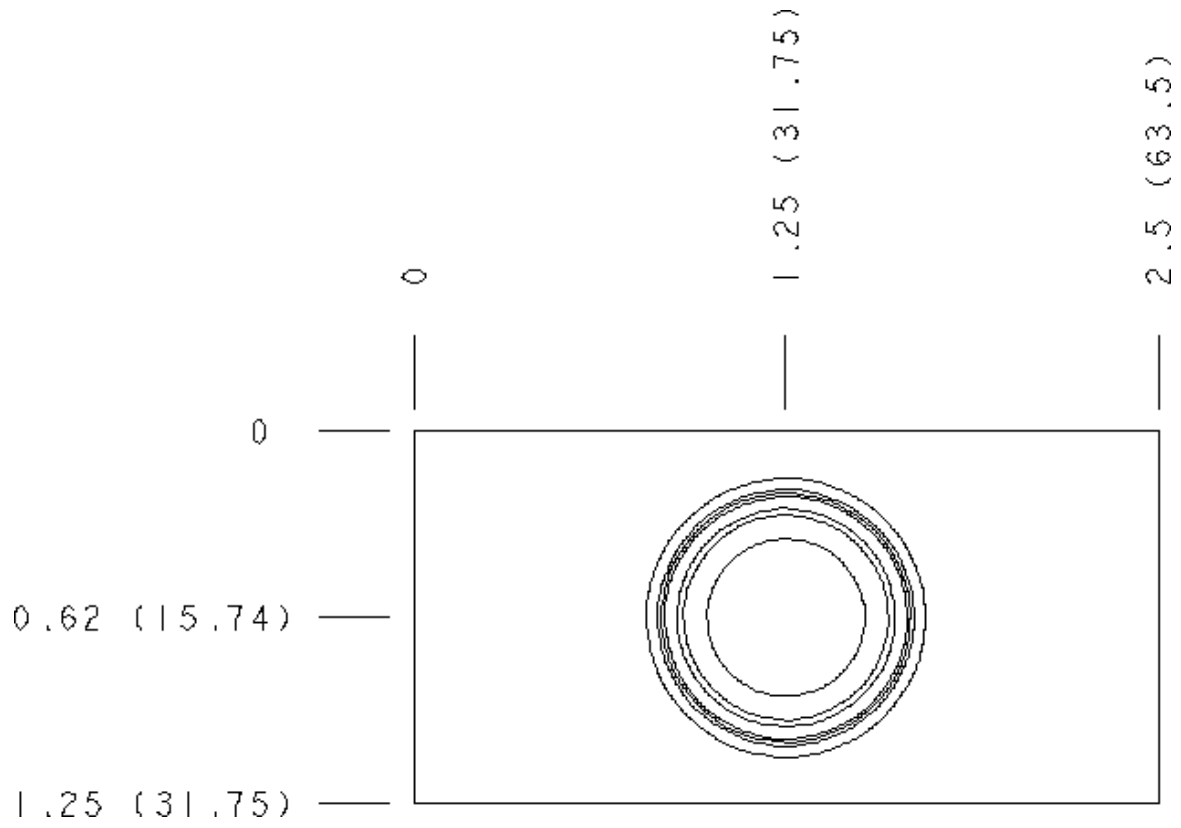
/S 65-45-12 Ductile Iron, Buna-N, Blackened  
6061-T651 Aluminum, Buna-N

**MANIFOLD FACES**

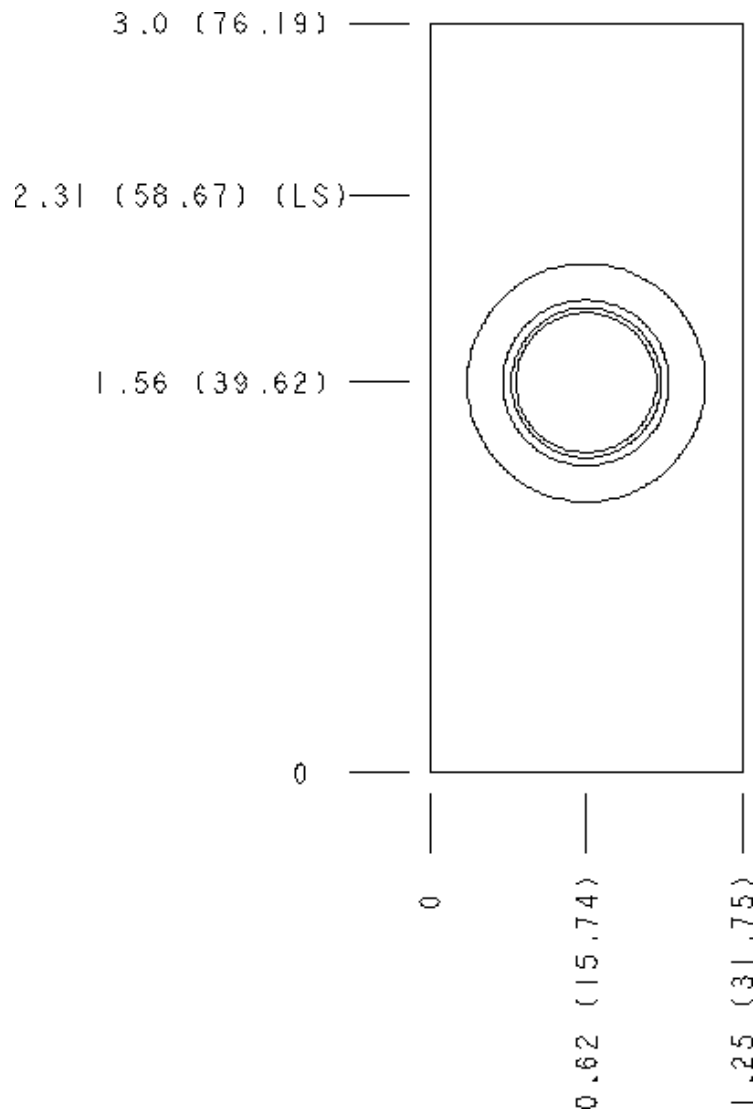
**FACE GRID**



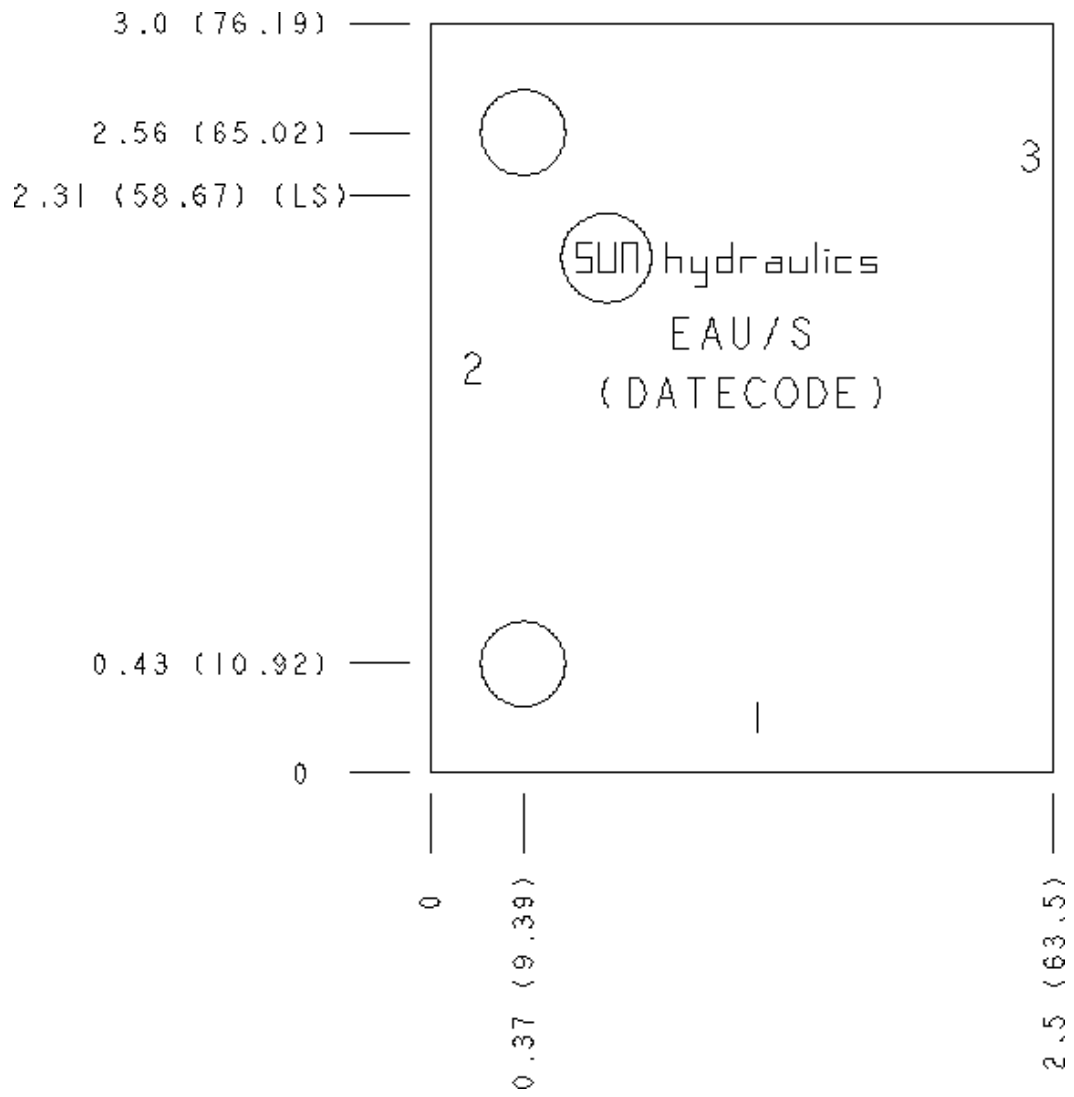
### Face 2



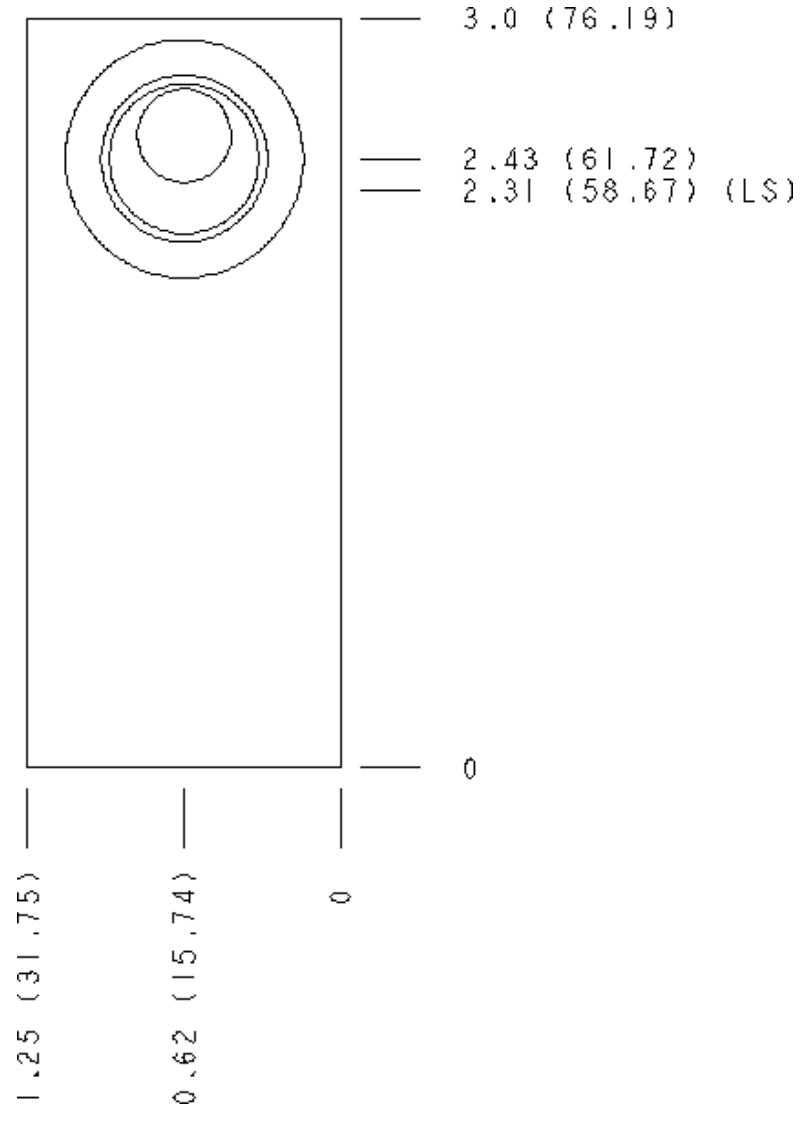
### Face 5



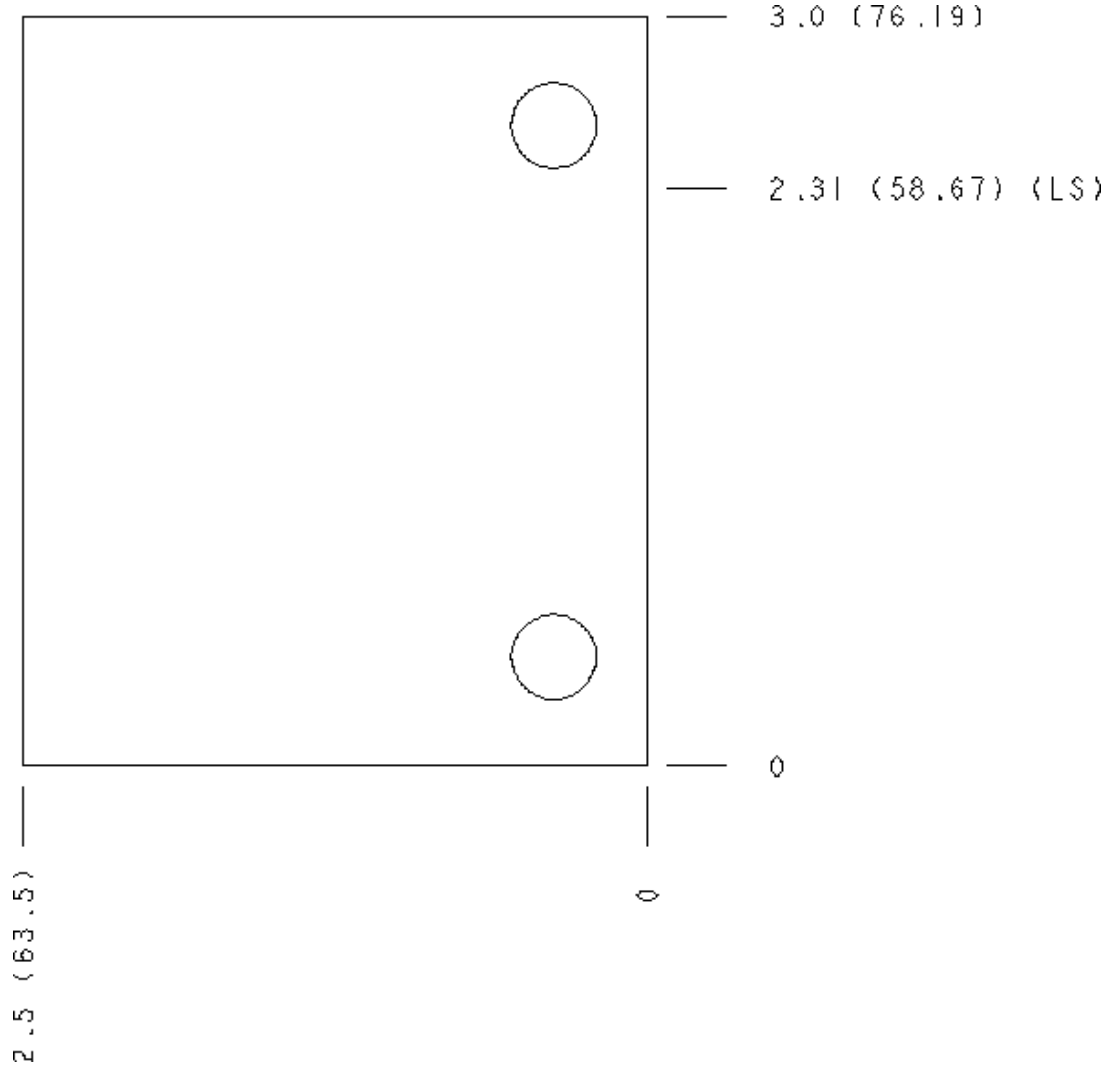
Face 6



**Face 7**



### Face 8



### Face 10

