

TECHNICAL DATA

Body Type	Line mount
Interface	None
Body Features	Inline, cross pilot
Mounting Hole Diameter	8.6 mm
Mounting Hole Depth	Through
Mounting Hole Quantity	2
Open Cavities	1
Cavity	T-2A
Port Size	1/2" BSPP
Model Weight	1.23 kg.

NOTES *Important:* Carefully consider the maximum system pressure. The pressure rating of the manifold is dependent on the manifold material, with the port type/size a secondary consideration. Manifolds constructed of aluminum are not rated for pressures higher than 3000 psi (210 bar), regardless of the port type/size specified.

PORT DESIGNATORS

Modifiers	Ports
WPY	All Ports: 1/2" BSPP;

CONFIGURATION OPTIONS
Model Code Example: WPY

MODIFIER

- 6061-T651 Aluminum, Buna-N
- IS 65-45-12 Ductile Iron, Buna-N, Blackened

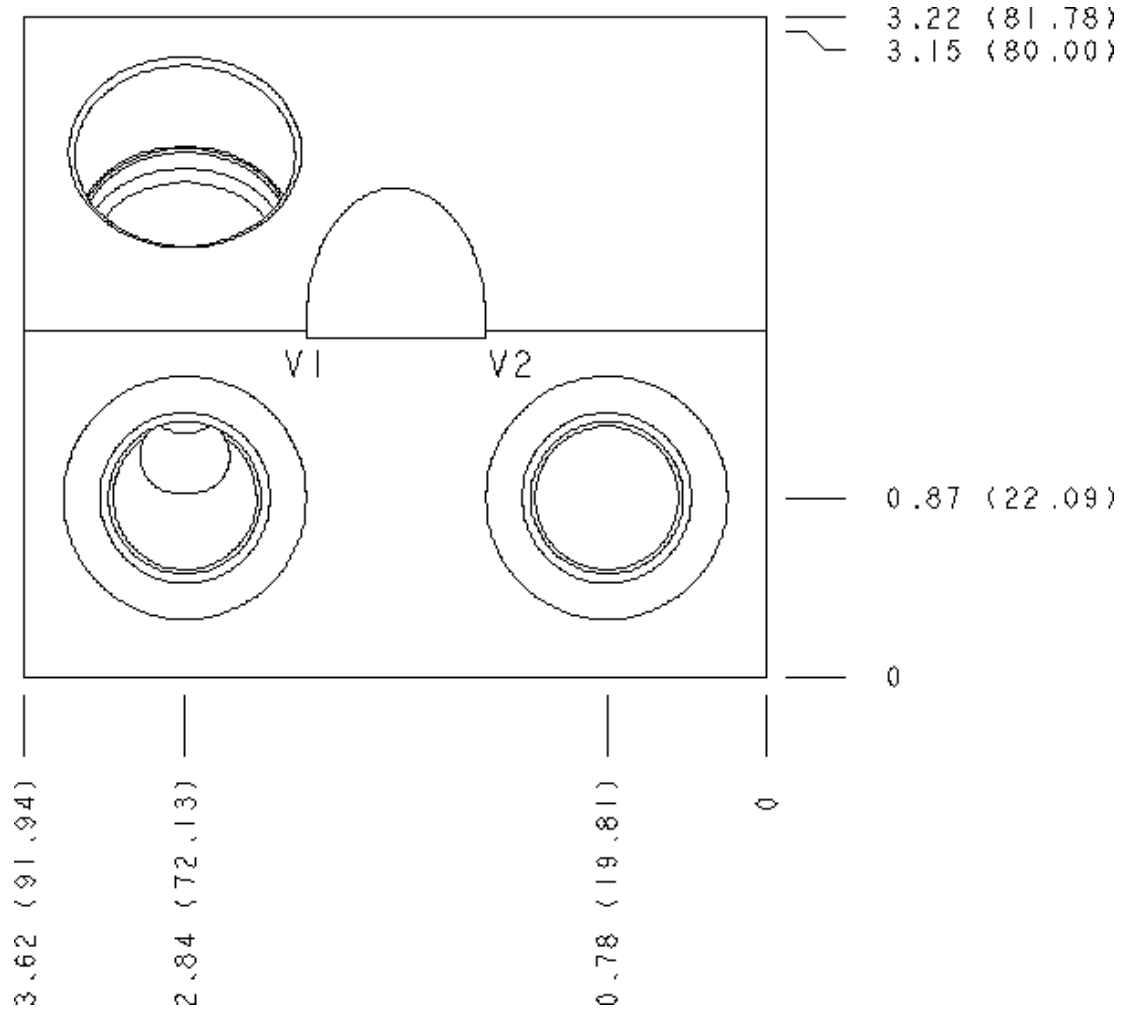
MANIFOLD FACES

FACE GRID

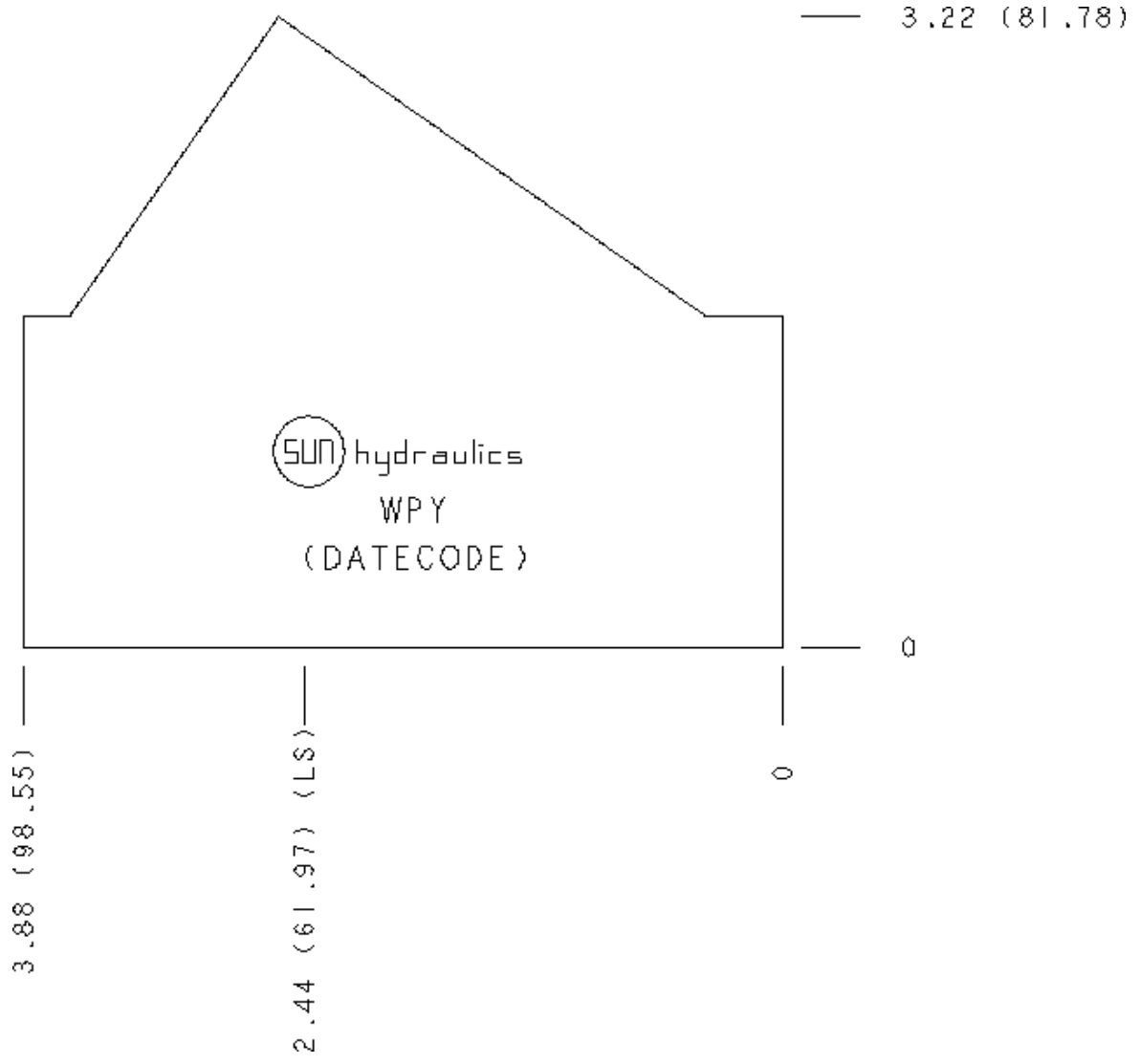
1	2	3	4
5	6	7	8
9	10	11	12

Face 2

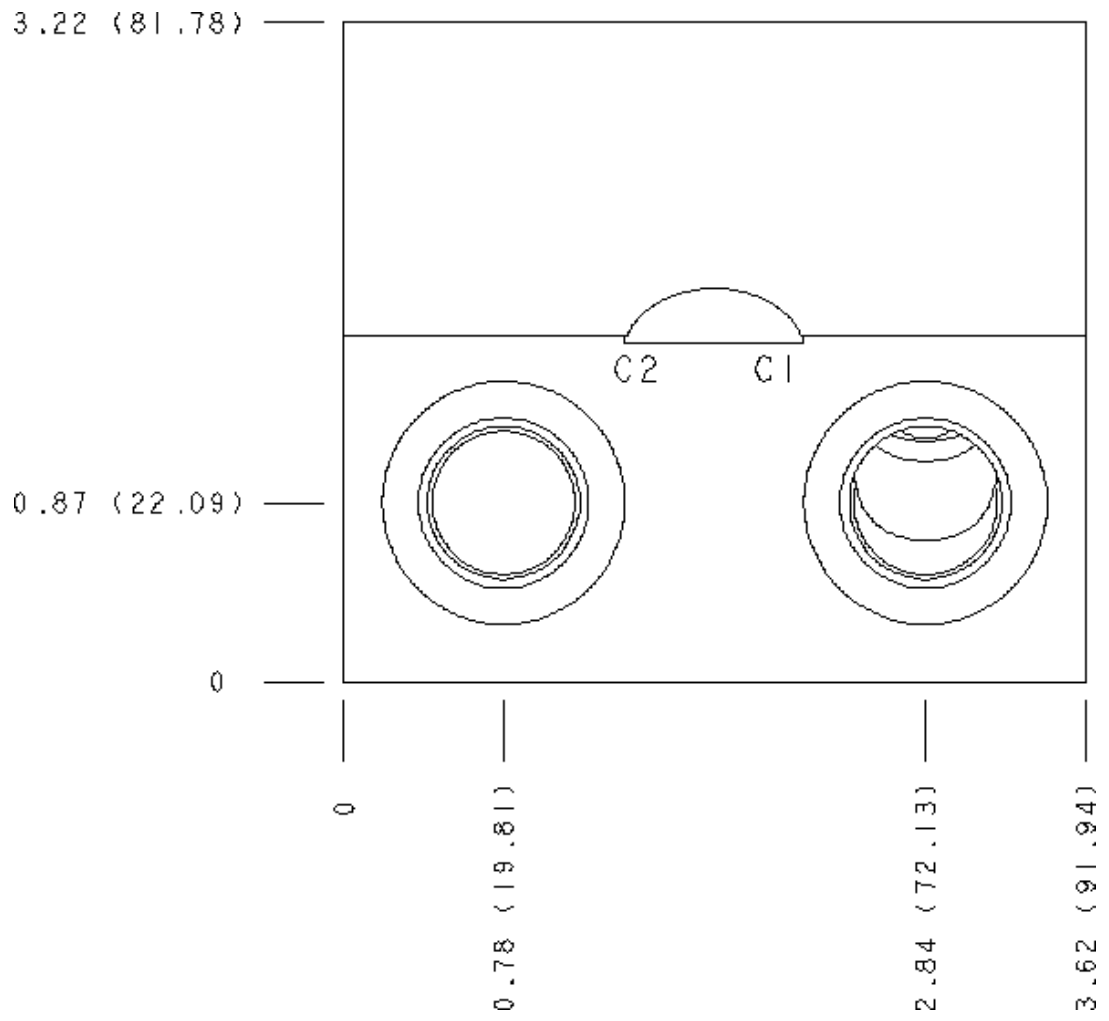
Face 5



Face 6



Face 7



Face 8

3.22 (81.78)

