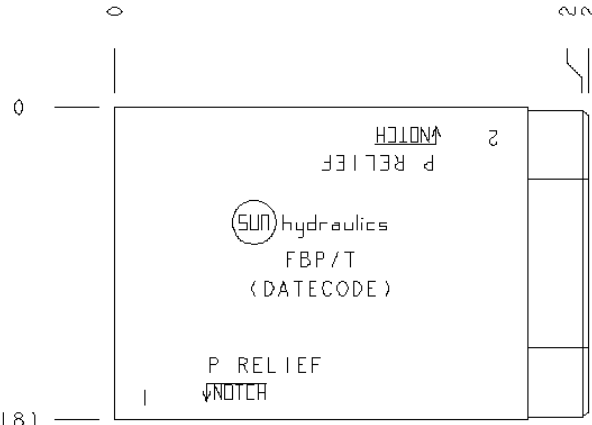


Relief, P to T High Capacity



2.54 (64.51) (LS)
2.57 (65.27)

CONFIGURATION

IT Modifier 65-45-12 Ductile Iron, Metric, Buna-N, Blackened

TECHNICAL DATA

Body Type	Sandwich
Interface	ISO 03
Body Features	P to T
Stack Height	44,5 mm
Open Cavities	1
Cavity	T-10A
Port Size	1/4" NPTF
Model Weight	0.70 kg.

NOTES

Important: Carefully consider the maximum system pressure. The pressure rating of the manifold is dependent on the manifold material, with the port type/size a secondary consideration. Manifolds constructed of aluminum are not rated for pressures higher than 3000 psi (210 bar), regardless of the port type/size specified.

PORT DESIGNATORS

Modifiers	Ports
FBP, /S, /V, /Y	Gage Port (Plugged): 1/4" NPTF;
FBP/M, /T, /W, /Z	Gage Port (Plugged): 1/4" BSPP;

INCLUDED COMPONENTS

Part	Description	Quantity
330-018-002	Plug	1
500-001-012	O-Ring	4
700-002	Seal Plate	1
811-001-006	Pin	1

CONFIGURATION OPTIONS
Model Code Example: FBP/IT

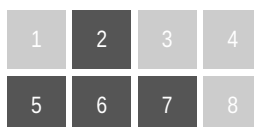
MODIFIER

(IT)

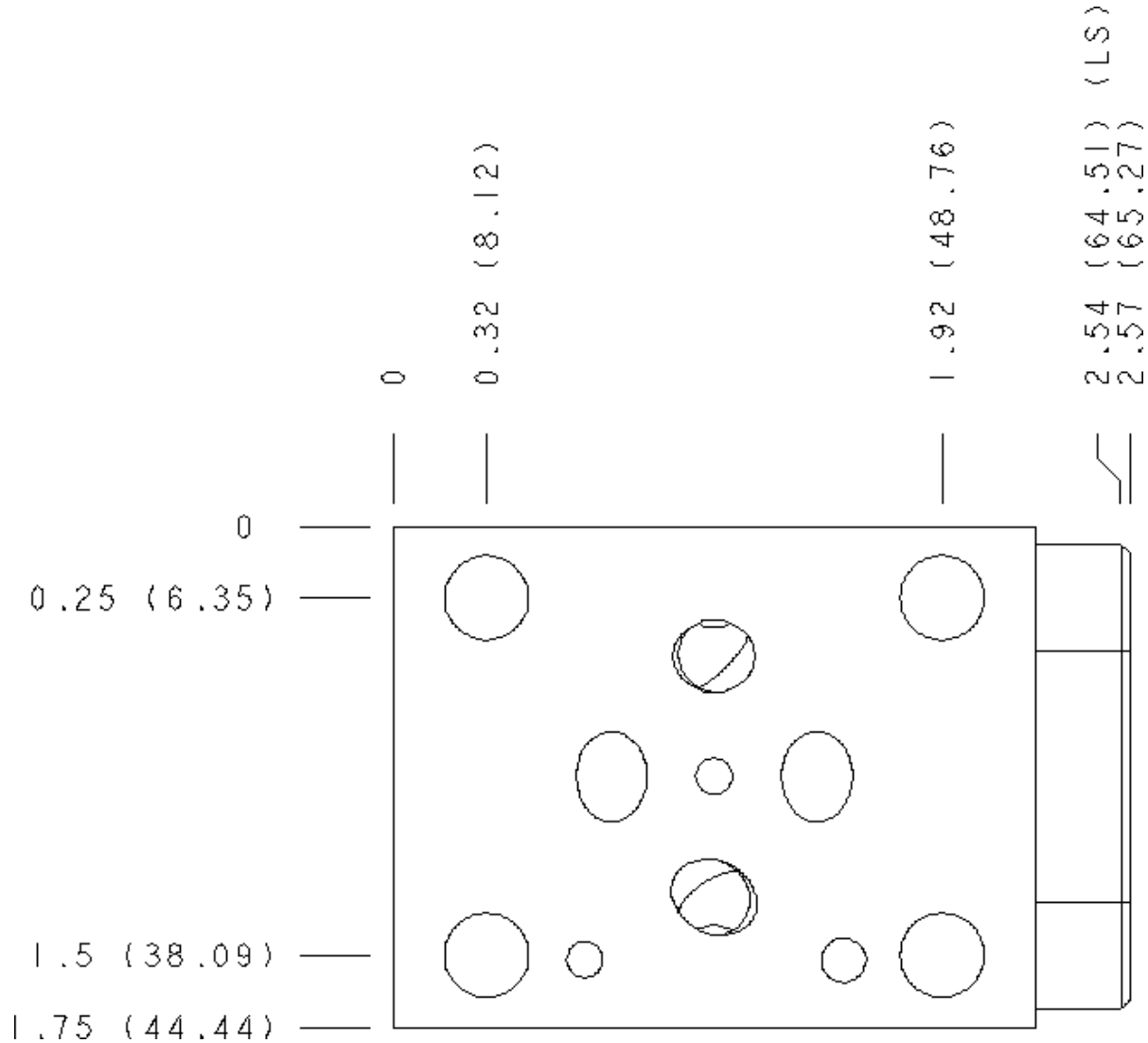
- IT** 65-45-12 Ductile Iron, Metric, Buna-N, Blackened
- 6061-T651 Aluminum, Buna-N
- IM** 6061-T651 Aluminum, Metric, Buna-N
- IS** 65-45-12 Ductile Iron, Buna-N, Blackened
- IV** 6061-T651 Aluminum, Viton
- IW** 65-45-12 Ductile Iron, Metric, Viton, Blackened
- IY** 65-45-12 Ductile Iron, Viton, Blackened
- IZ** 6061-T651 Aluminum, Metric, Viton

MANIFOLD FACES

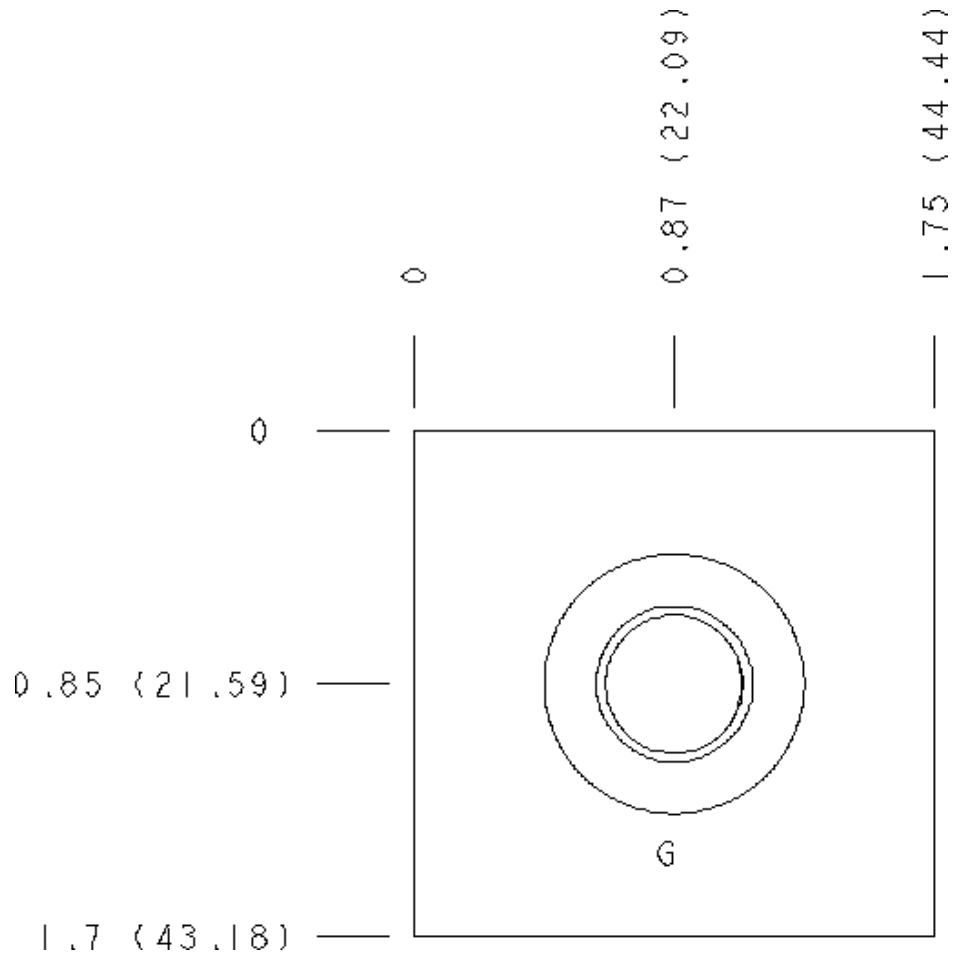
FACE GRID



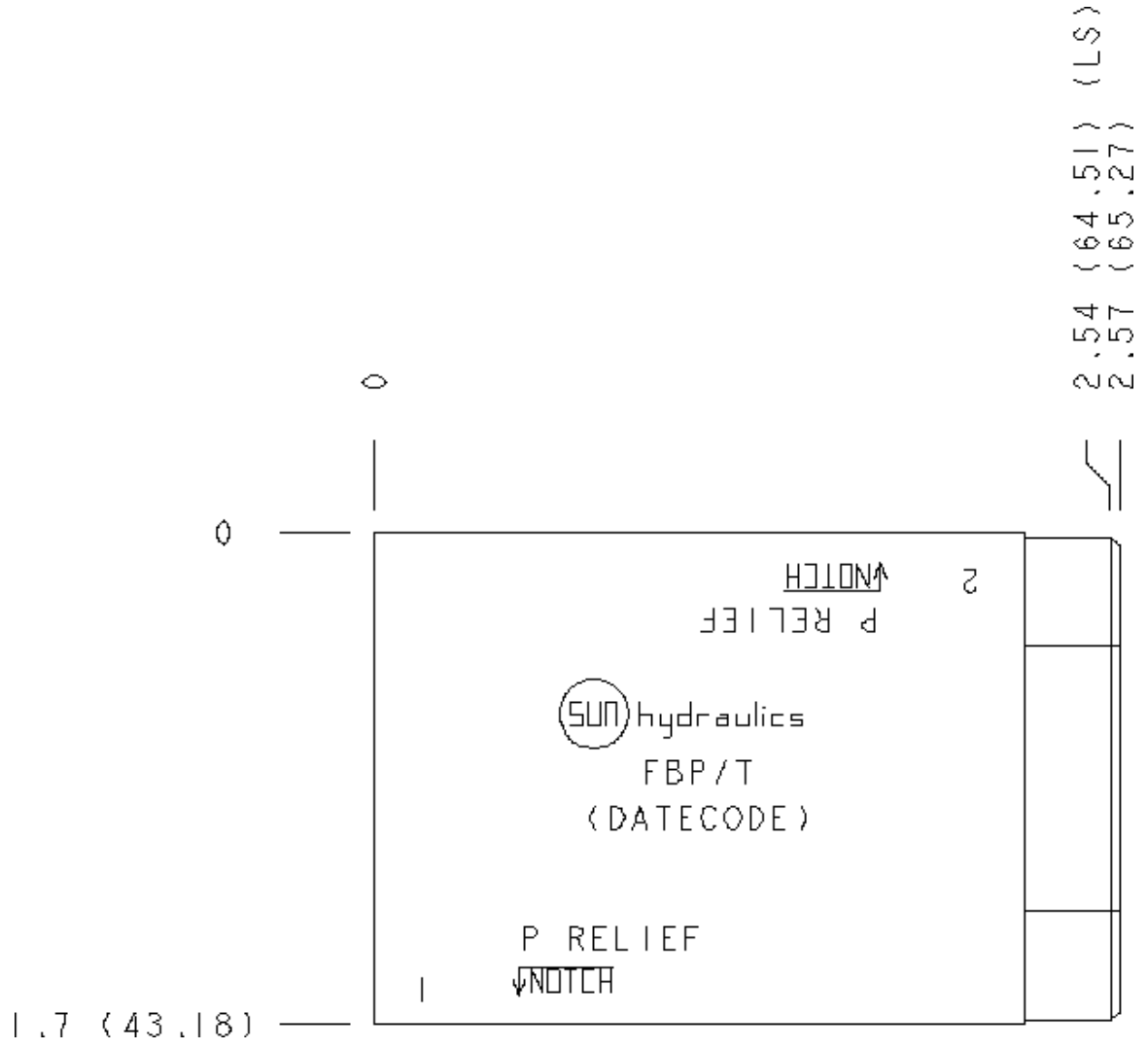
Face 2



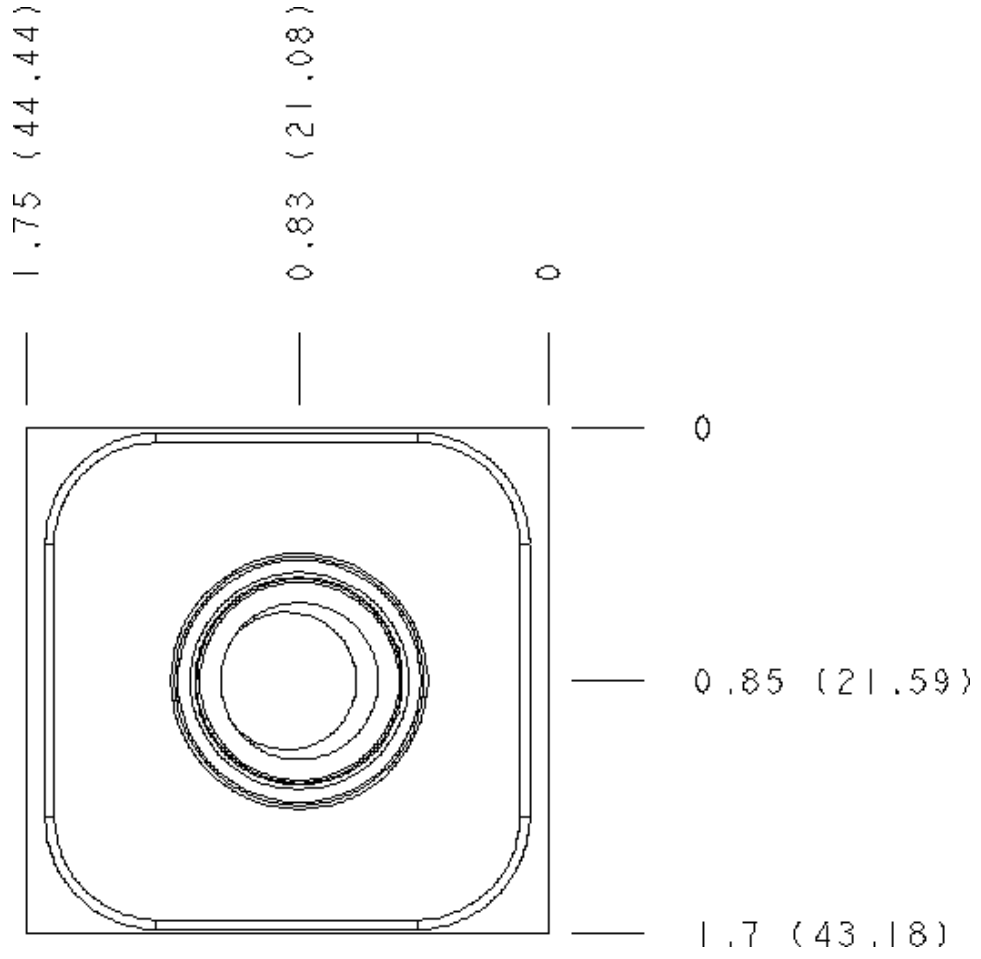
Face 5



Face 6

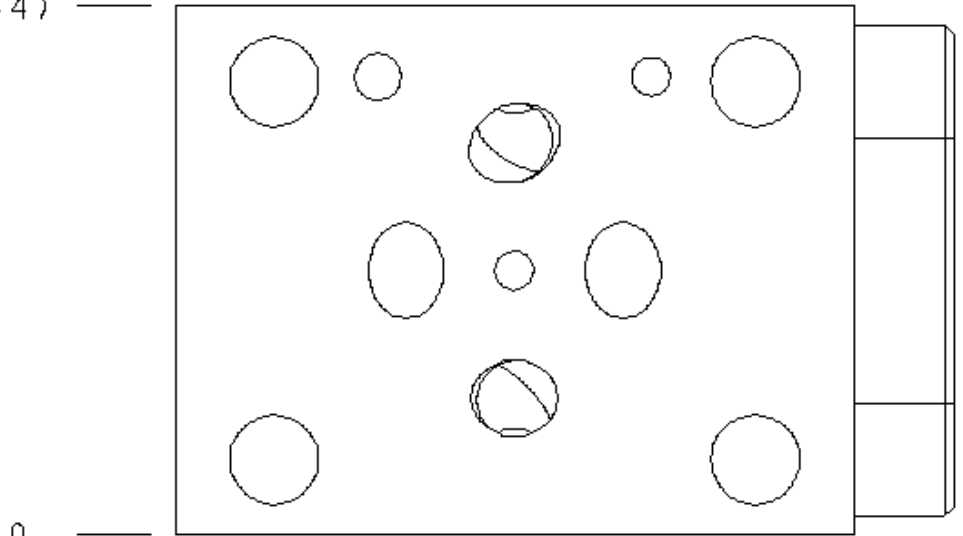


Face 7



Face 10

1.75 (44.44)



0

0

2.54 (64.51) (LS)
2.57 (65.27)