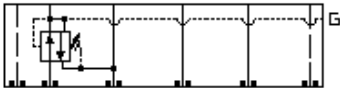
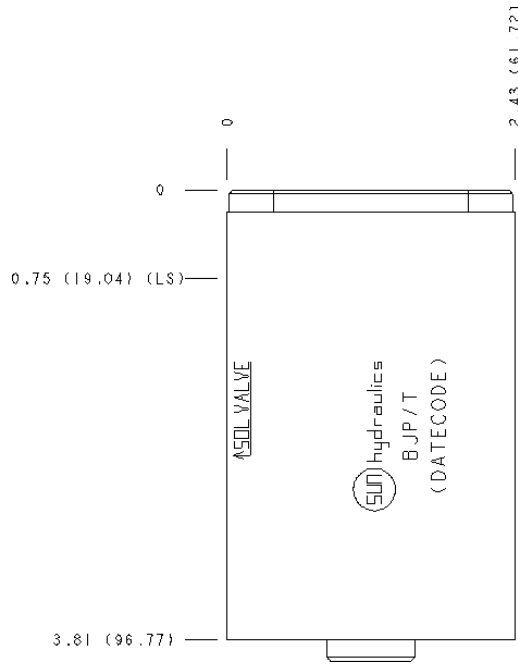
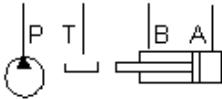


Reducing, On P, Drained to T



Reducing/Relieving, On P Tank to T, Drained to T



TECHNICAL DATA

Body Type	Sandwich
Interface	ISO 05 - X&Y
Body Features	On P, port 3 to T
Stack Height	63 mm
Open Cavities	1
Cavity	T-2A
Port Size	1/4" NPTF
Model Weight	2.17 kg.

CONFIGURATION

IT Modifier 65-45-12 Ductile Iron, Metric, Buna-N, Blackened

NOTES

- Stack height value in technical data table includes seal retainer plate.
- This installation requires a retainer and seal kit which are purchased separately. See "Related Accessories" section.
- Important:** Carefully consider the maximum system pressure. The pressure rating of the manifold is dependent on the manifold material, with the port type/size a secondary consideration. Manifolds constructed of aluminum are not rated for pressures higher than 3000 psi (210 bar), regardless of the port type/size specified.

PORT DESIGNATORS

Modifiers	Ports
BJP, <i>IV</i>	Gage Port (Plugged): 1/4" NPTF;
BJP/M, <i>IZ</i>	Gage Port (Plugged): 1/4" BSPP;

INCLUDED COMPONENTS

Part	Description	Quantity
330-018-002	Plug	1

CONFIGURATION OPTIONS
Model Code Example: BJP/*T*

MODIFIER

(*IT*)

- IT*** 65-45-12 Ductile Iron, Metric, Buna-N, Blackened
6061-T651 Aluminum, Buna-N
- IM*** 6061-T651 Aluminum, Metric, Buna-N
- IS*** 65-45-12 Ductile Iron, Buna-N, Blackened
- IV*** 6061-T651 Aluminum, Viton
- IW*** 65-45-12 Ductile Iron, Metric, Viton, Blackened
- IY*** 65-45-12 Ductile Iron, Viton, Blackened
- IZ*** 6061-T651 Aluminum, Metric, Viton

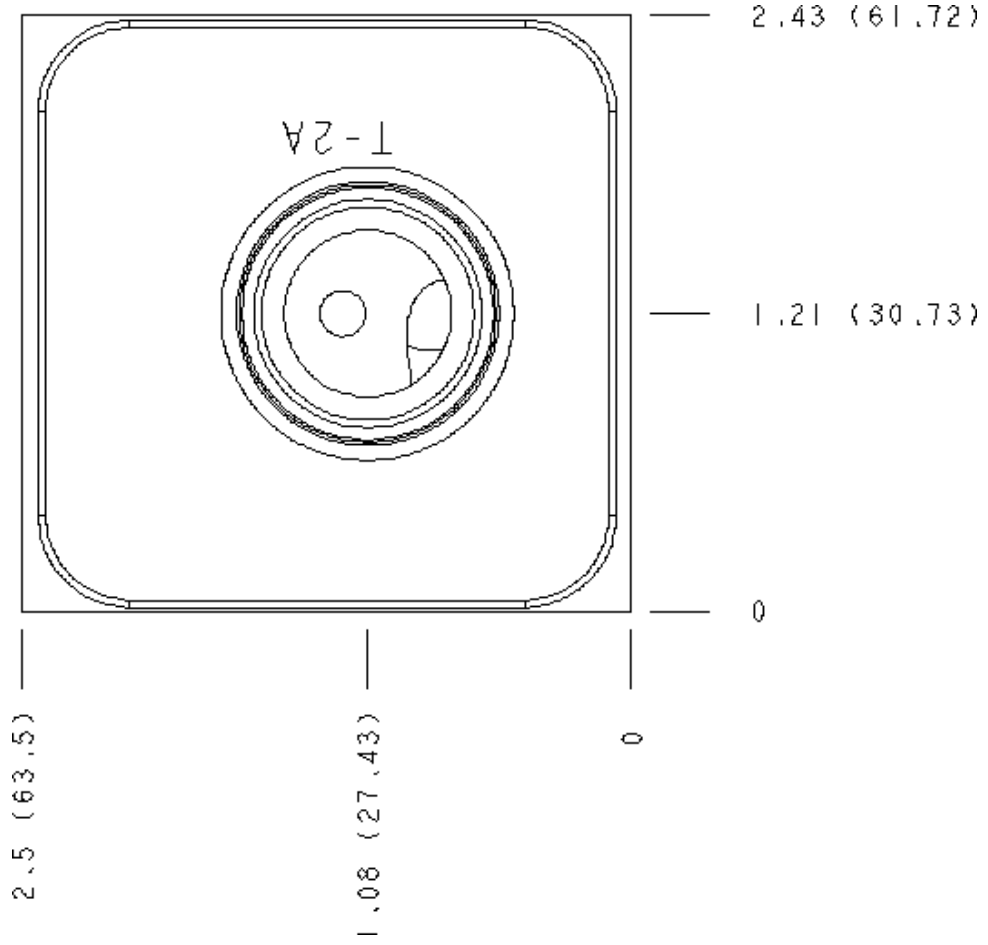
MANIFOLD FACES

FACE GRID

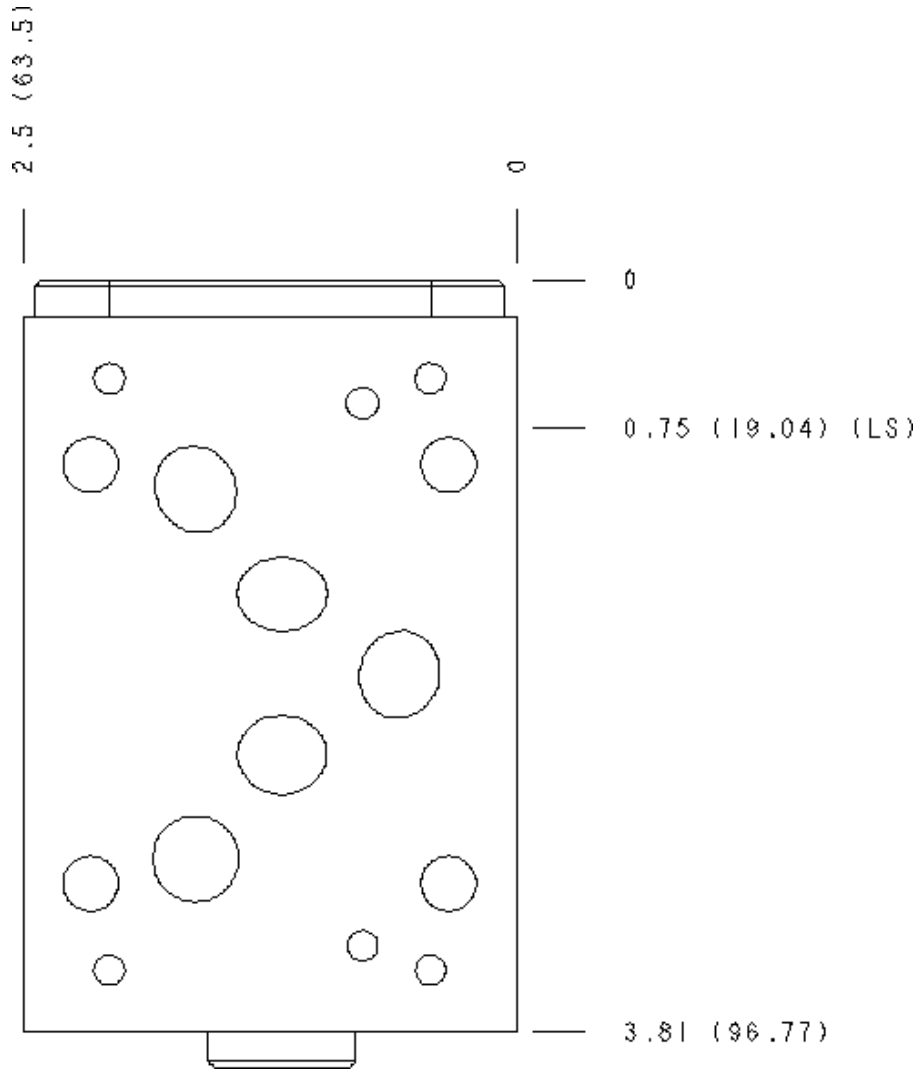


5	6	7	8
9	10	11	12

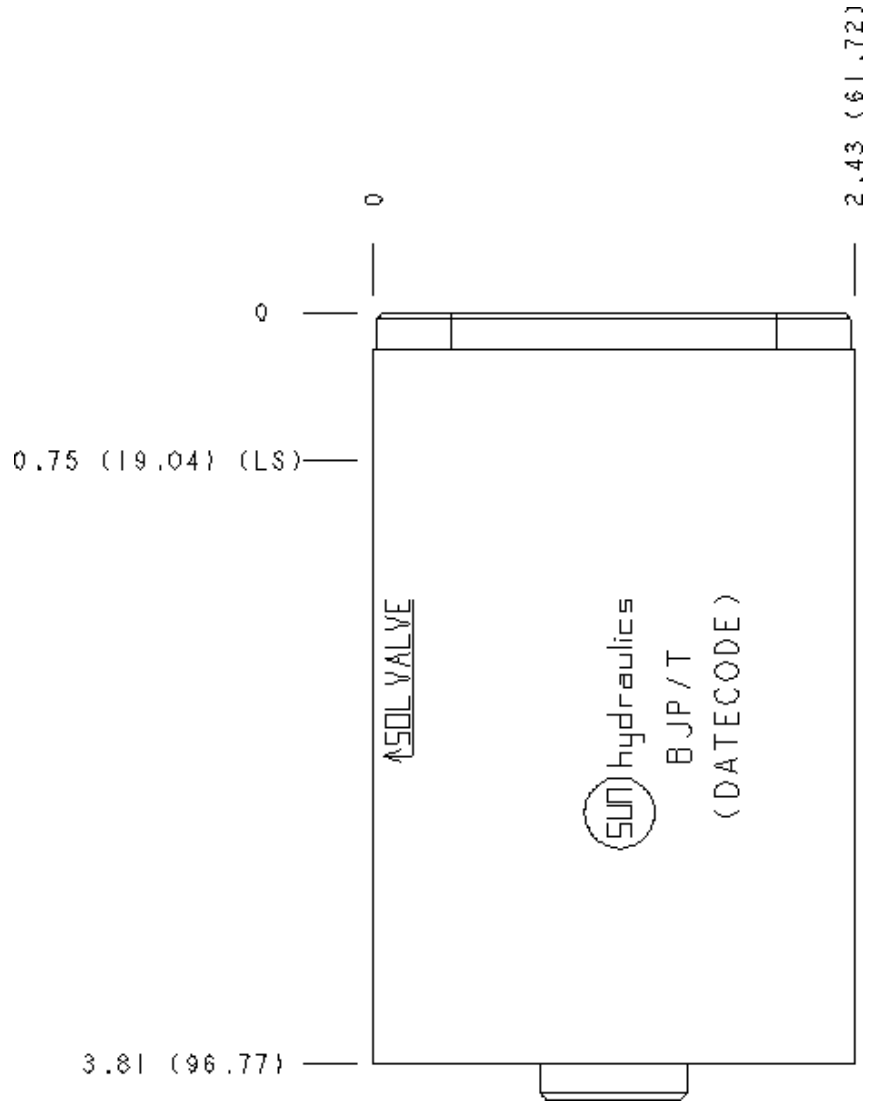
Face 2



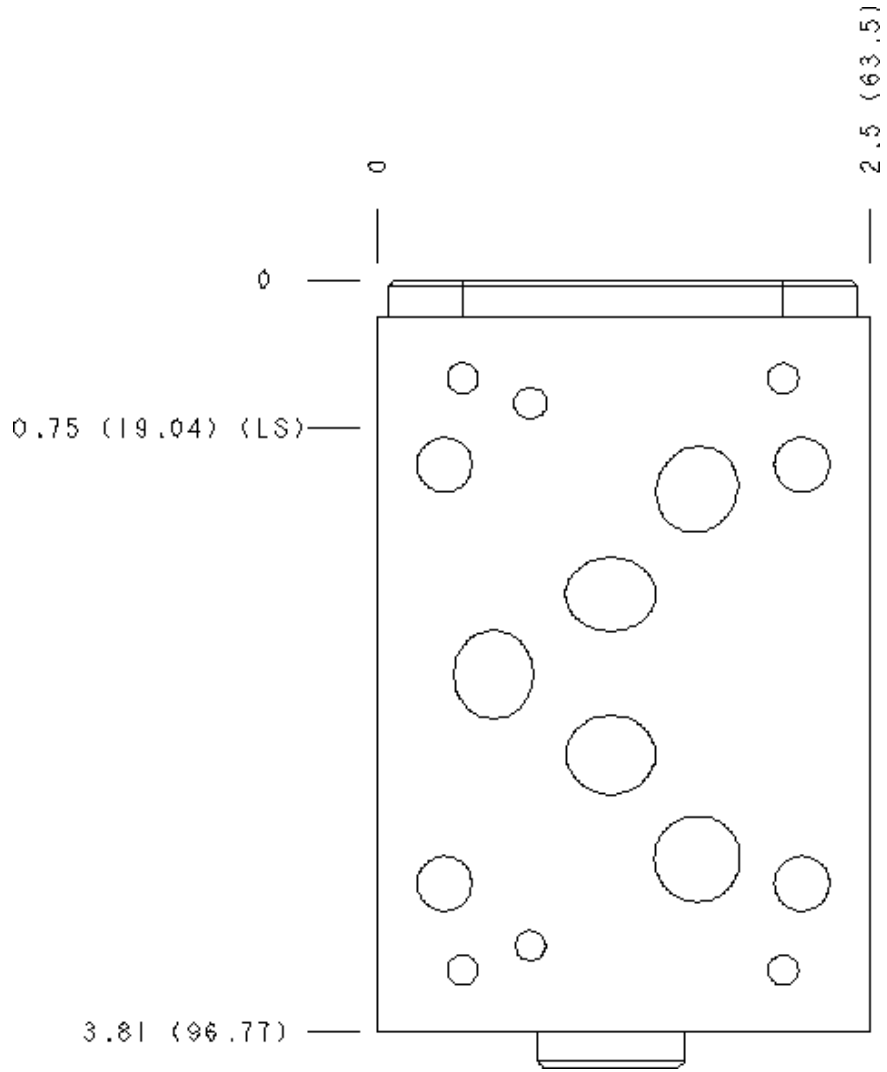
Face 6



Face 7



Face 8



Face 10

