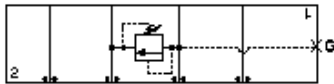
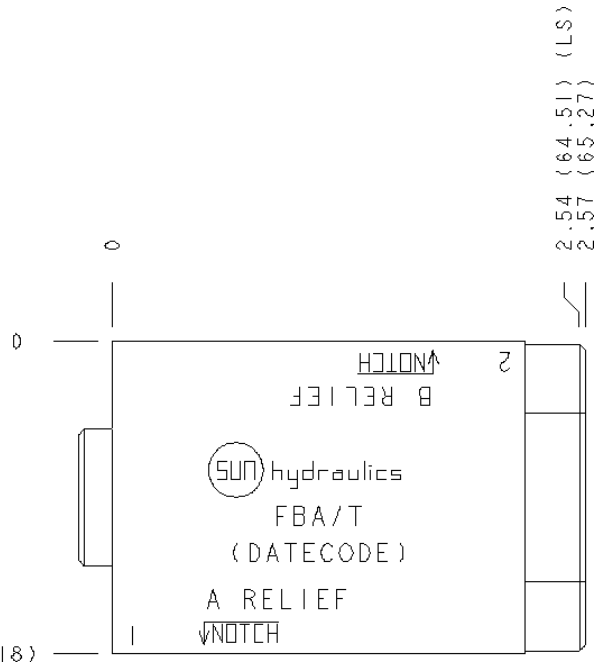
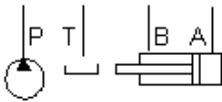


Relief, A to T High Capacity



Relief, B to T High Capacity



Pilot-operated, balanced-piston relief cartridges are normally closed pressure regulating valves. When the pressure at the inlet (port 1) reaches the valve setting, the valve starts to open to tank (port 2), throttling flow to regulate the pressure. These valves are accurate, have low pressure rise vs. flow, they are smooth and quiet, and are moderately fast.

**CONFIGURATION**

IT Modifier 65-45-12 Ductile Iron, Metric, Buna-N, Blackened

**TECHNICAL DATA**

Body Type	Sandwich
Interface	ISO 03
Body Features	A or B to T
Stack Height	44,5 mm
Open Cavities	1
Cavity	T-10A
Port Size	1/4" NPTF
Model Weight	0.72 kg.

**NOTES** *Important:* Carefully consider the maximum system pressure. The pressure rating of the manifold is dependent on the manifold material, with the port type/size a secondary consideration. Manifolds constructed of aluminum are not rated for pressures higher than 3000 psi (210 bar), regardless of the port type/size specified.

**PORT DESIGNATORS**

Modifiers	Ports
FBA, IV	Gage Port (Plugged): 1/4" NPTF;
FBA/M, IZ	Gage Port (Plugged): 1/4" BSPP;

**INCLUDED COMPONENTS**

Part	Description	Quantity
330-018-002	Plug	1
500-001-012	O-Ring	4
700-002	Seal Plate	1
811-001-006	Pin	1

**CONFIGURATION OPTIONS**  
Model Code Example: FBA/IT

**MODIFIER (IT)**

**IT** 65-45-12 Ductile Iron, Metric, Buna-N, Blackened

6061-T651 Aluminum, Buna-N

**IM** 6061-T651 Aluminum, Metric, Buna-N

**IS** 65-45-12 Ductile Iron, Buna-N, Blackened

**IV** 6061-T651 Aluminum, Viton

**IW** 65-45-12 Ductile Iron, Metric, Viton, Blackened

**IY** 65-45-12 Ductile Iron, Viton, Blackened

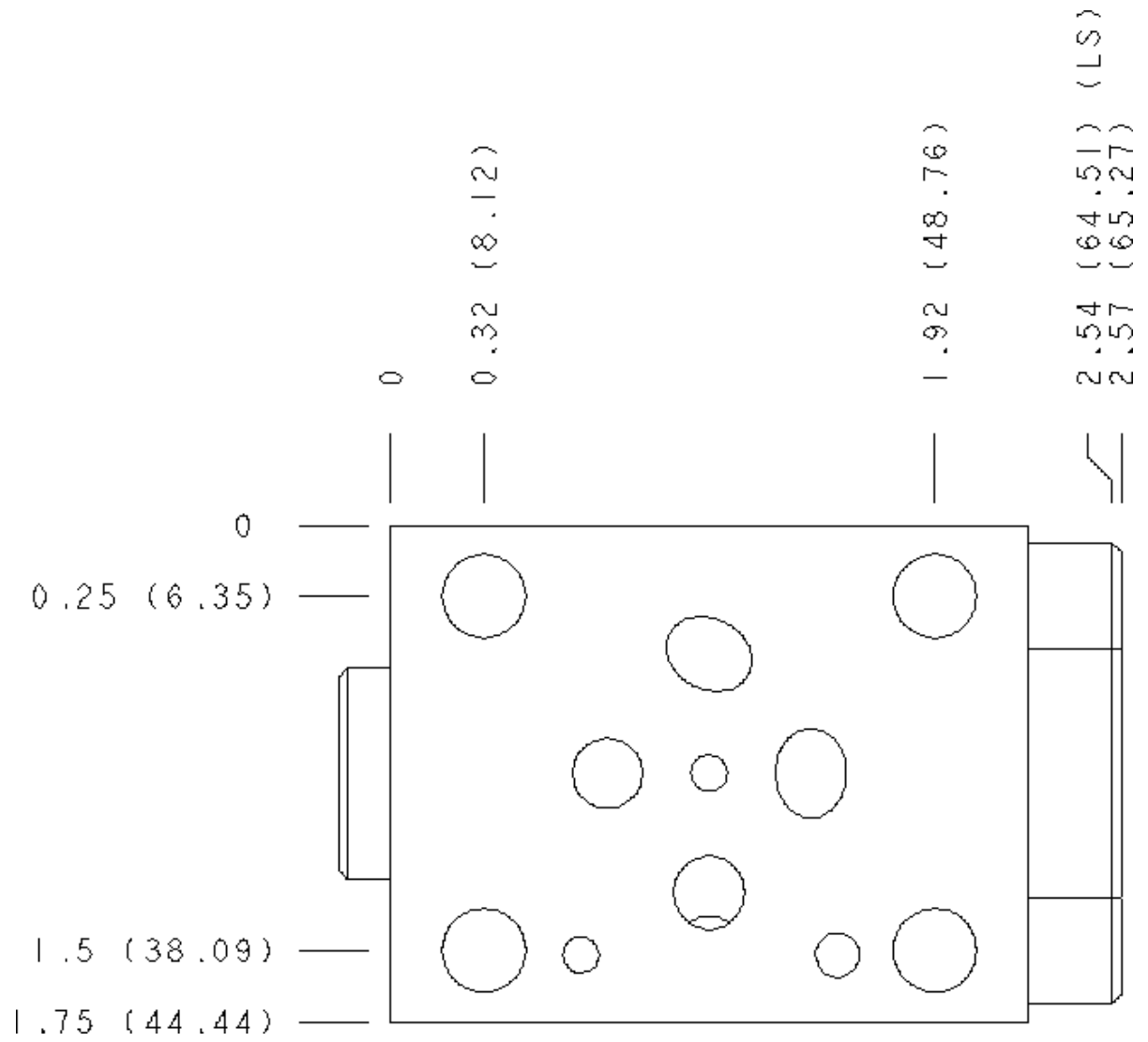
**IZ** 6061-T651 Aluminum, Metric, Viton

**MANIFOLD FACES**

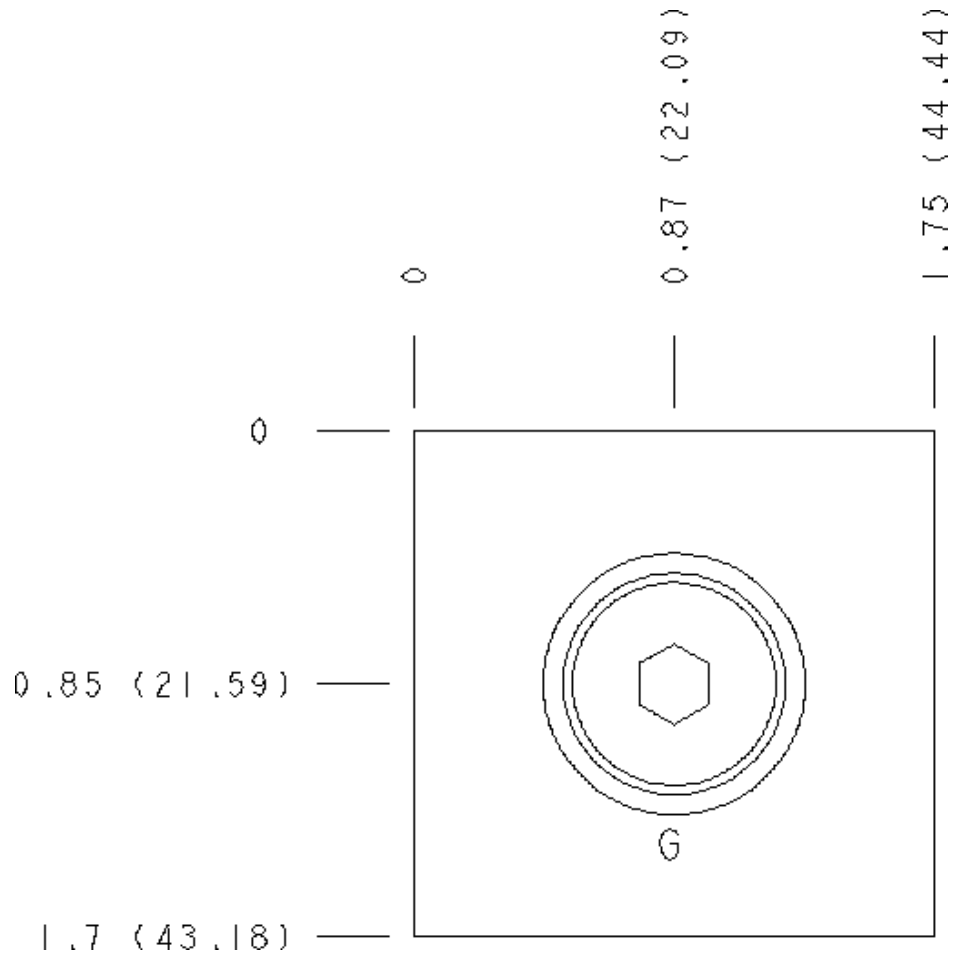
**FACE GRID**

1	2	3	4
5	6	7	8
9	10	11	12

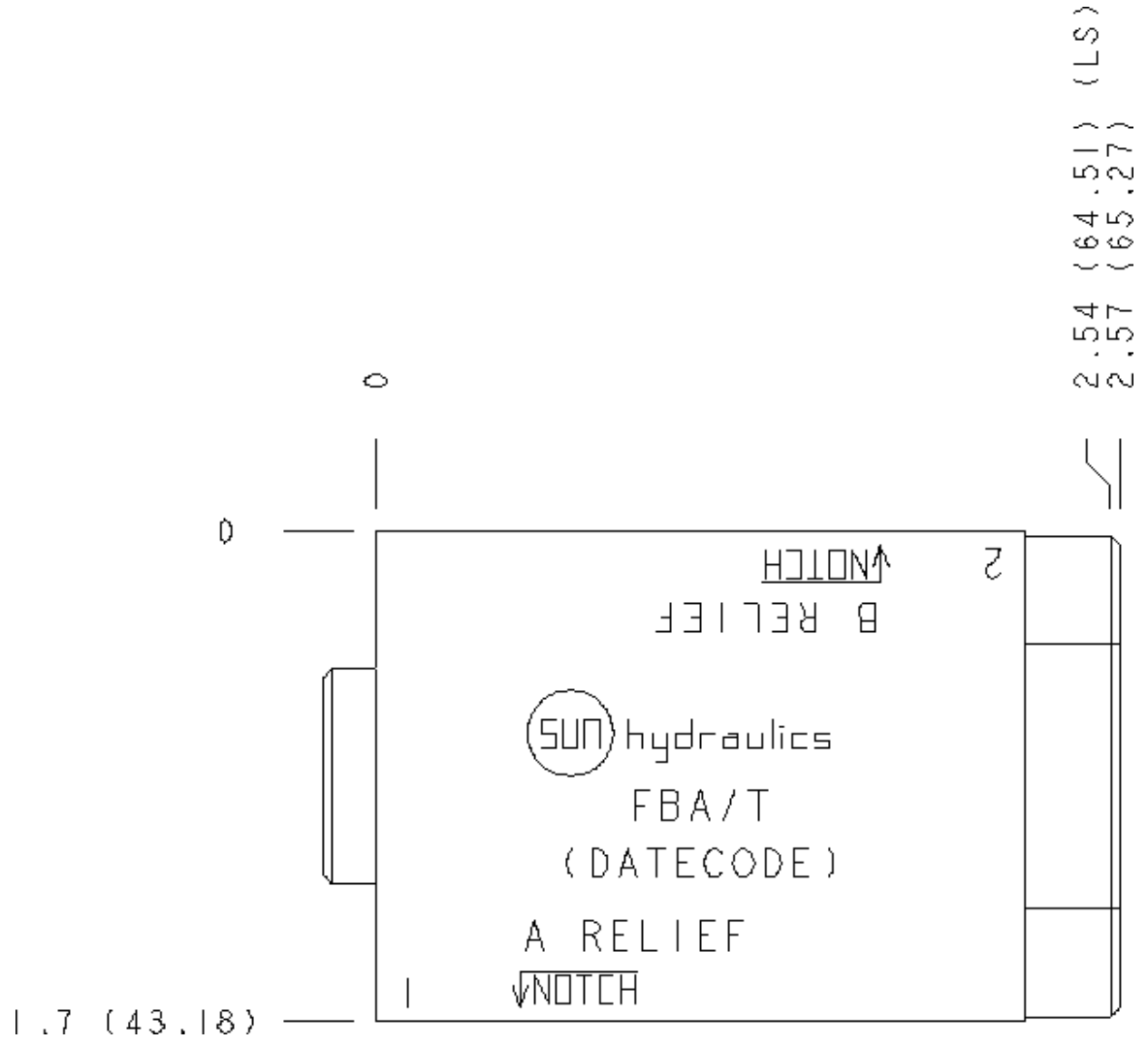
**Face 2**



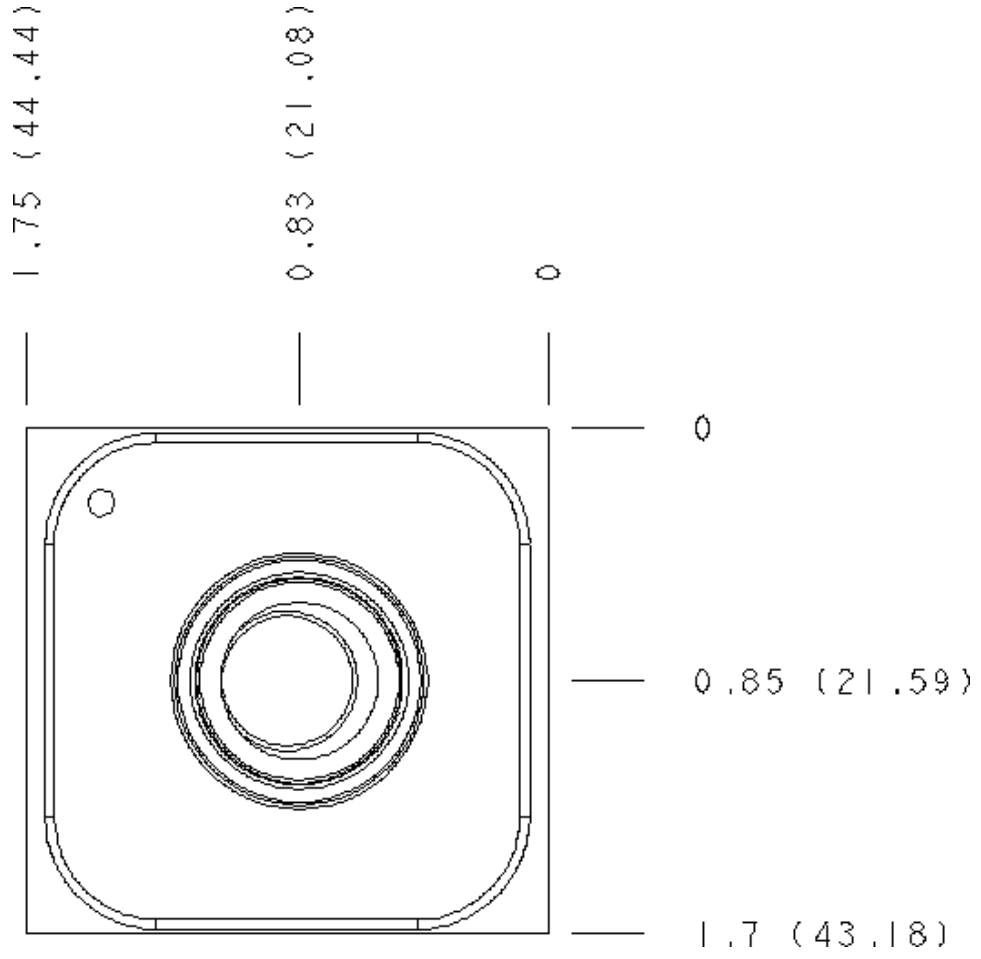
Face 5



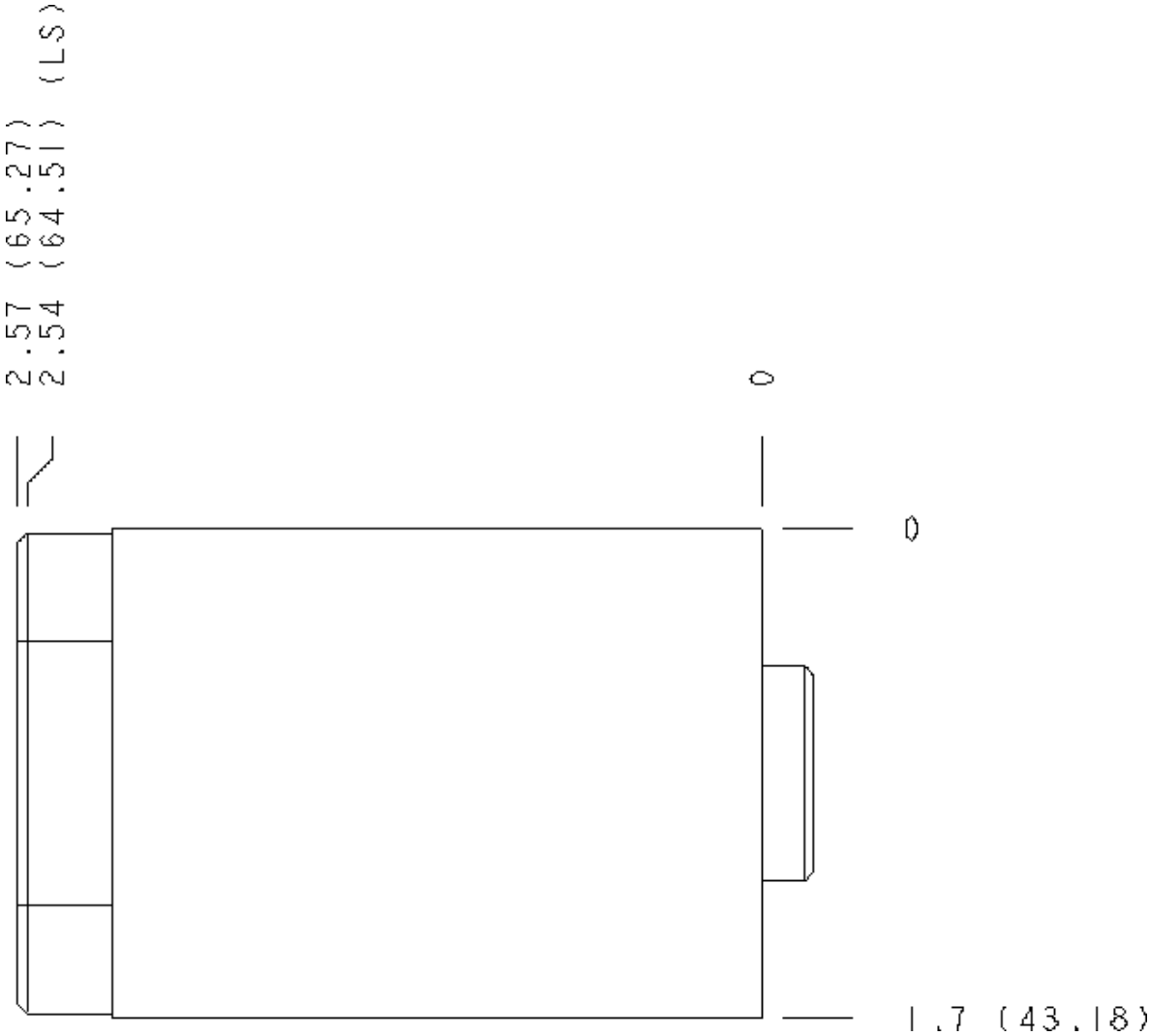
Face 6



Face 7

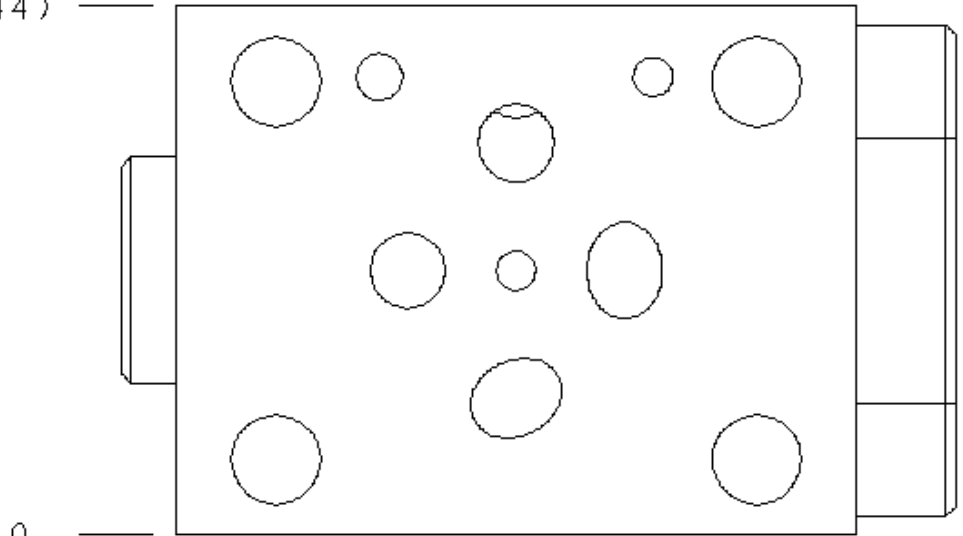


Face 8



Face 10

1.75 (44.44)



0

0

2.54 (64.51) (LS)  
2.57 (65.27)