

TECHNICAL DATA

Body Type	Line mount
Interface	None
Body Features	Ninety degree
Mounting Hole Diameter	8.6 mm
Mounting Hole Depth	Through
Mounting Hole Quantity	1
Open Cavities	1
Cavity	T-10A
Port Size	3/8" BSPP
Model Weight	0.17 kg.

NOTES *Important:* Carefully consider the maximum system pressure. The pressure rating of the manifold is dependent on the manifold material, with the port type/size a secondary consideration. Manifolds constructed of aluminum are not rated for pressures higher than 3000 psi (210 bar), regardless of the port type/size specified.

PORT DESIGNATORS

Modifiers	Ports
FAU, /S	All Ports: 3/8" BSPP;

CONFIGURATION OPTIONS

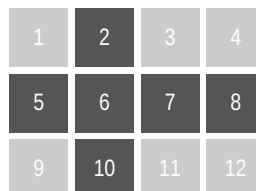
Model Code Example: FAU

MODIFIER

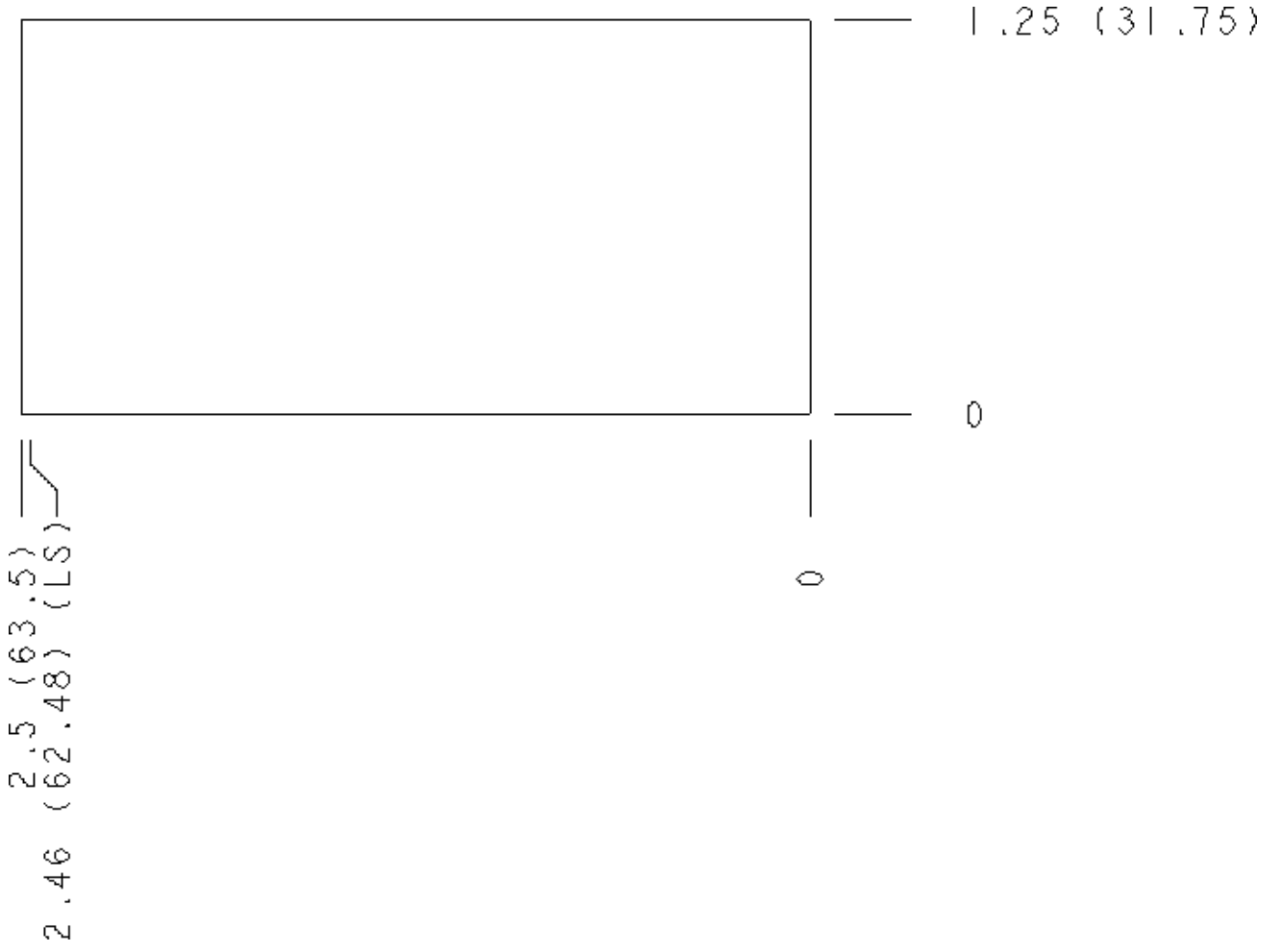
- 6061-T651 Aluminum, Buna-N
- /S 65-45-12 Ductile Iron, Buna-N, Blackened

MANIFOLD FACES

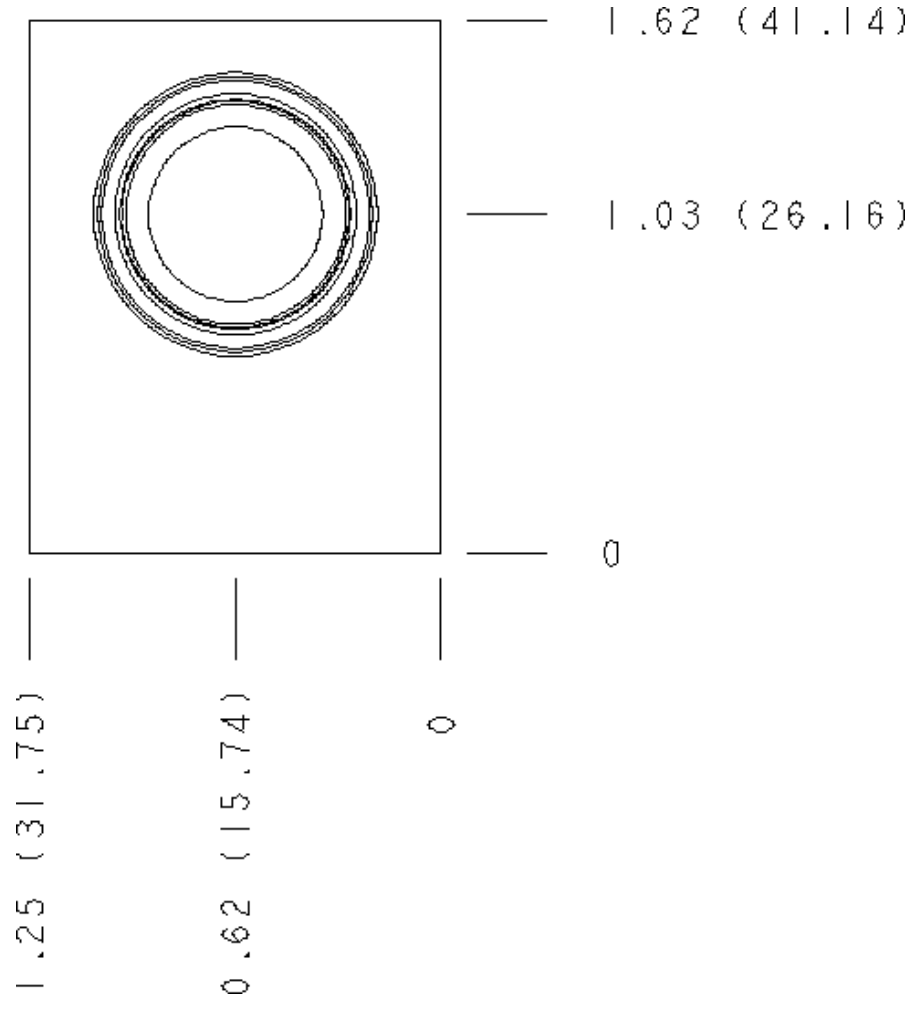
FACE GRID



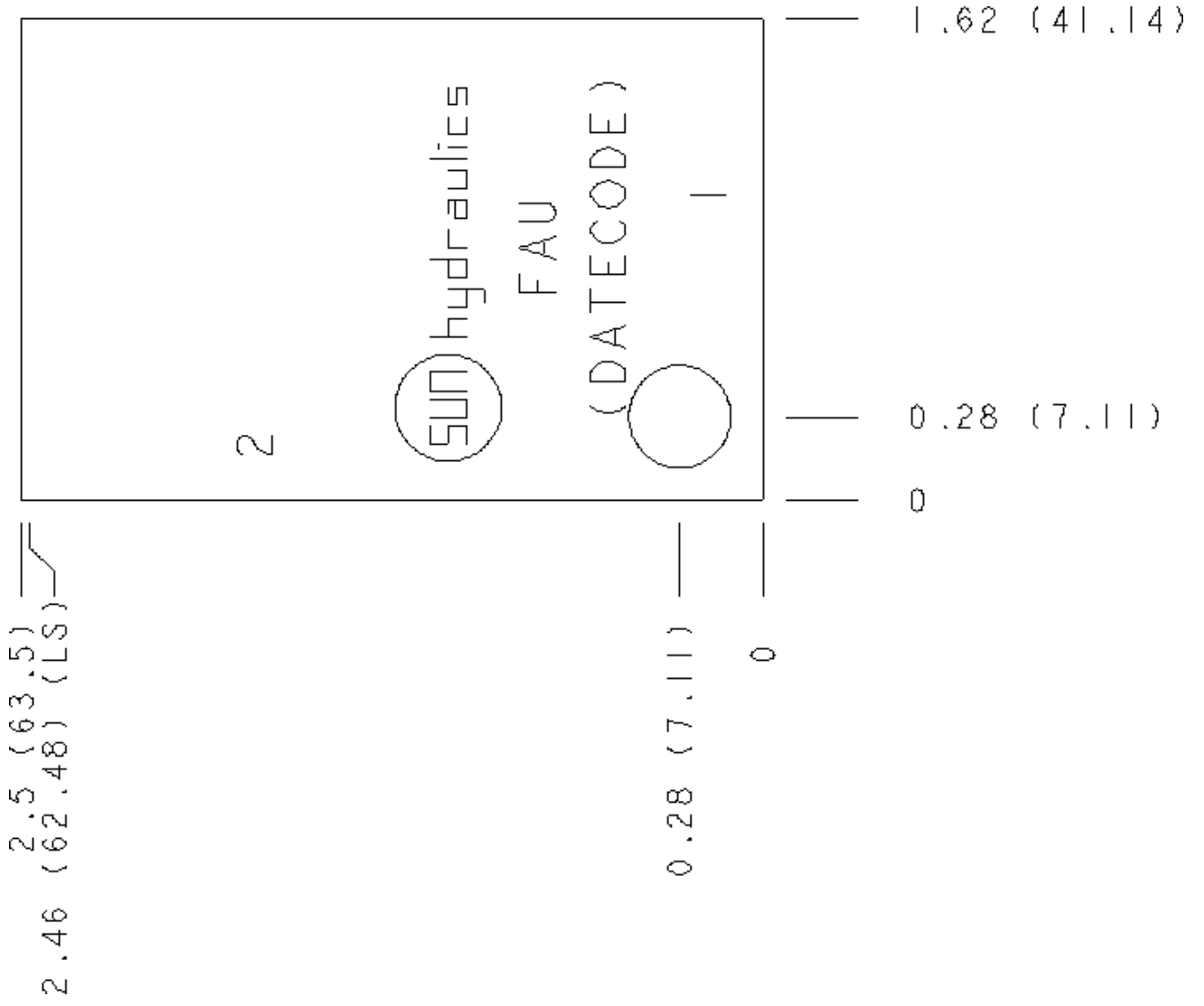
Face 2



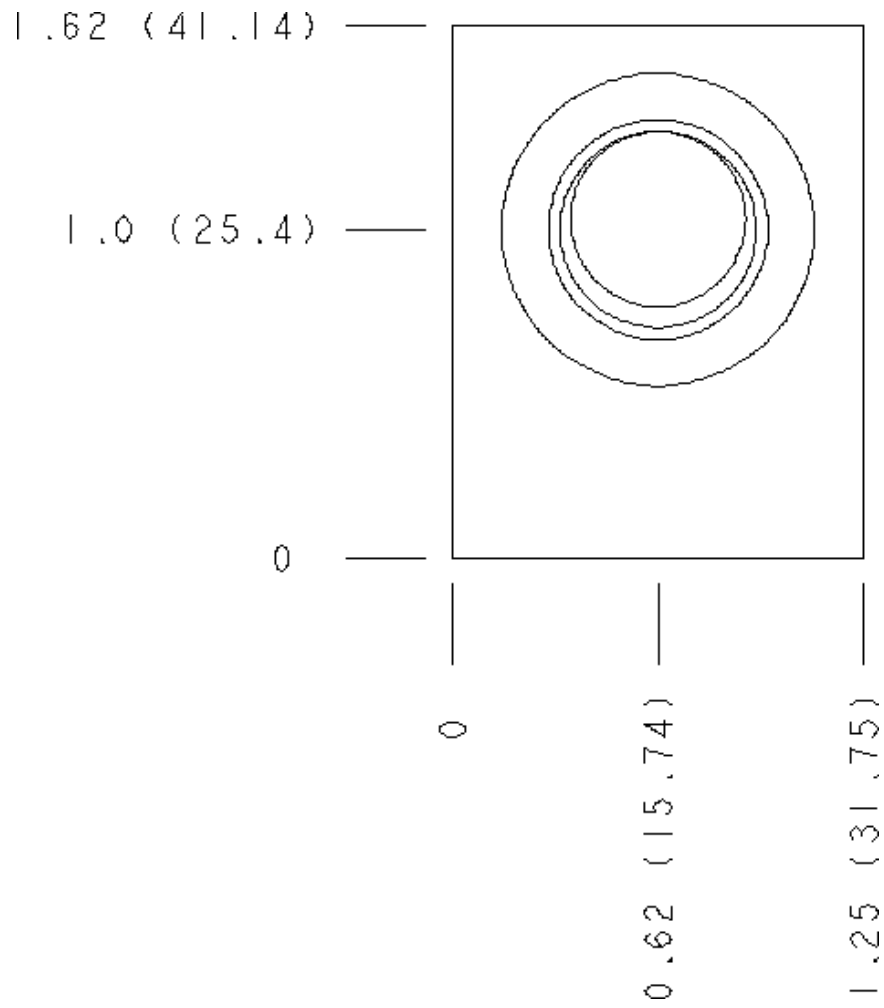
Face 5



Face 6

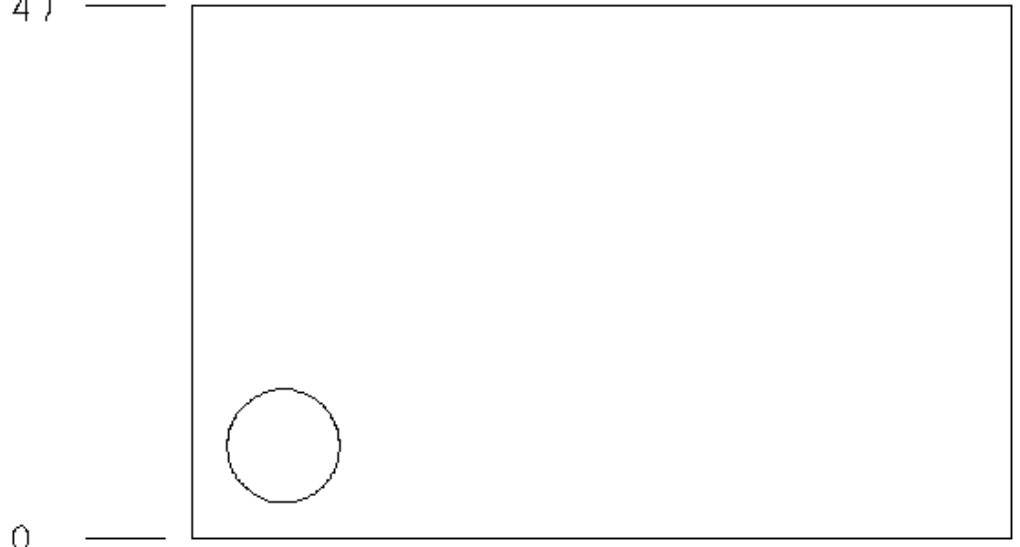


Face 7



Face 8

1.62 (41.14)



0

0

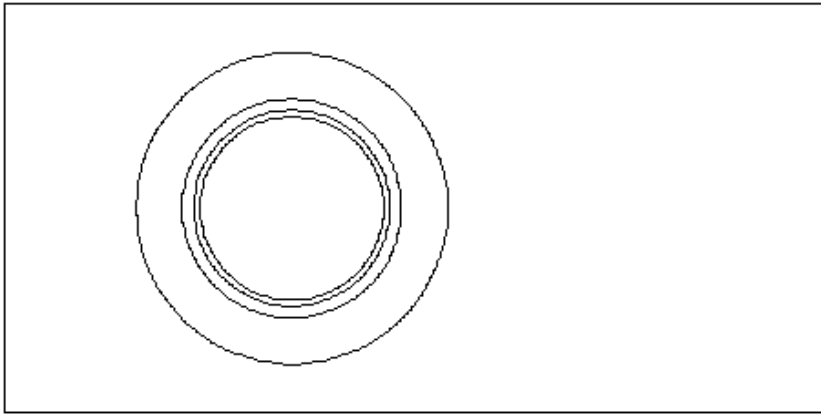
2.46 (62.48) (LS)
2.5 (63.5)

Face 10

2.5 (63.5)
2.46 (62.48) (LS)

1.62 (41.14)

0



0

0.62 (15.74)

1.25 (31.75)