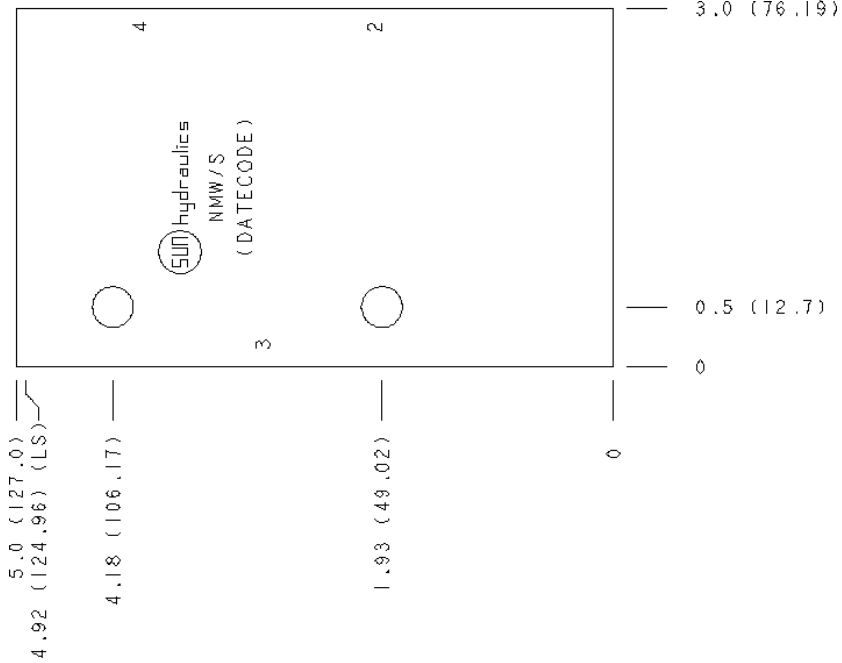


CONFIGURATION

/S Modifier 65-45-12 Ductile Iron, Buna-N, Blackened



TECHNICAL DATA

| | |
|------------------------|---------------|
| Body Type | Line mount |
| Interface | None |
| Body Features | Ninety degree |
| Mounting Hole Diameter | 8.6 mm |
| Mounting Hole Depth | Through |
| Mounting Hole Quantity | 2 |
| Open Cavities | 1 |
| Cavity | T-32A |
| Port Size | 3/4" BSPP |
| Model Weight | 2.88 kg. |

NOTES

Important: Carefully consider the maximum system pressure. The pressure rating of the manifold is dependent on the manifold material, with the port type/size a secondary consideration. Manifolds constructed of aluminum are not rated for pressures higher than 3000 psi (210 bar), regardless of the port type/size specified.

PORT DESIGNATORS

| Modifiers | Ports |
|-----------|-----------------------|
| NMW, /S | All Ports: 3/4" BSPP; |

CONFIGURATION OPTIONS

Model Code Example: **NMW/S**

MODIFIER (S)

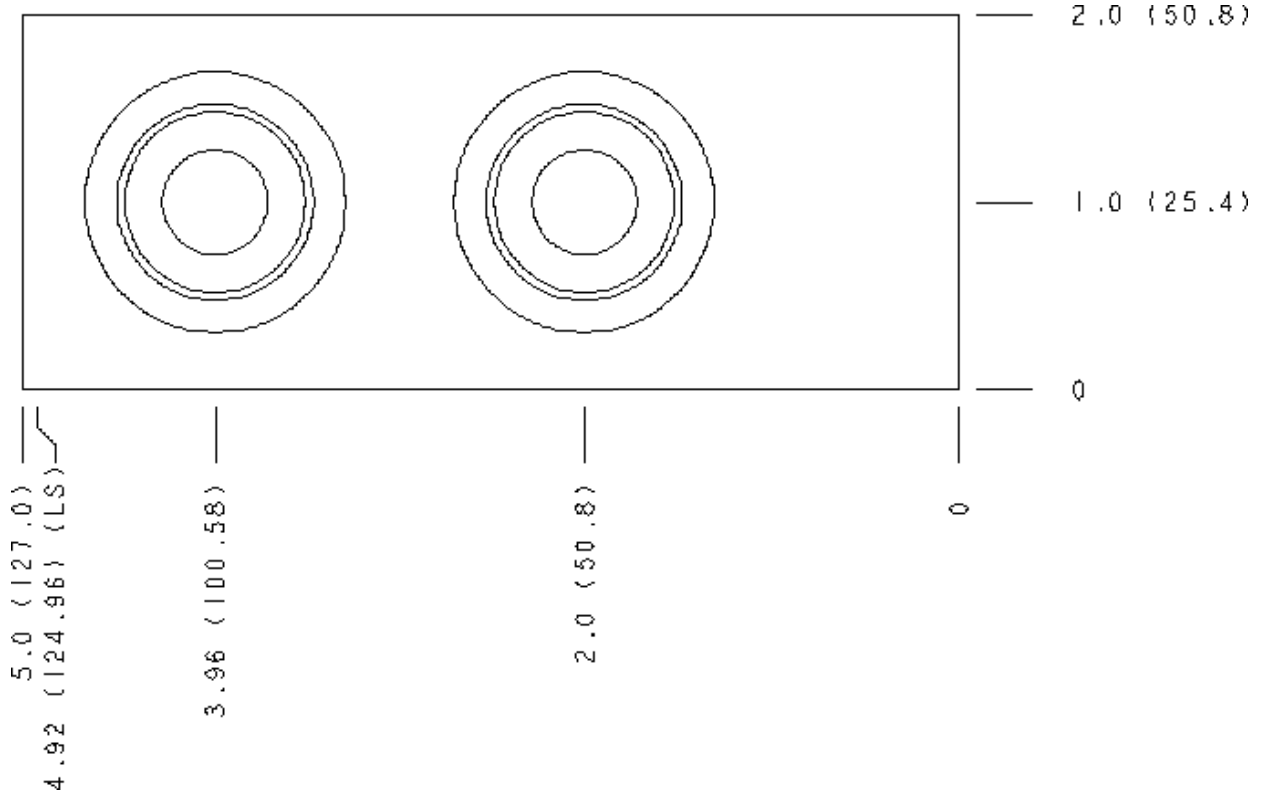
/S 65-45-12 Ductile Iron, Buna-N, Blackened
6061-T651 Aluminum, Buna-N

MANIFOLD FACES

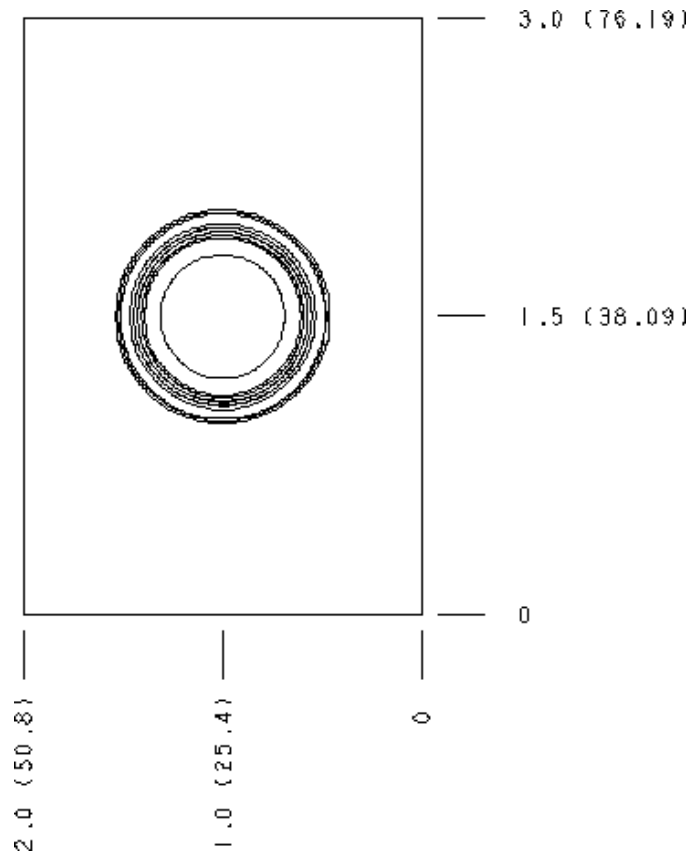
FACE GRID

| | | | |
|---|----|----|----|
| 1 | 2 | 3 | 4 |
| 5 | 6 | 7 | 8 |
| 9 | 10 | 11 | 12 |

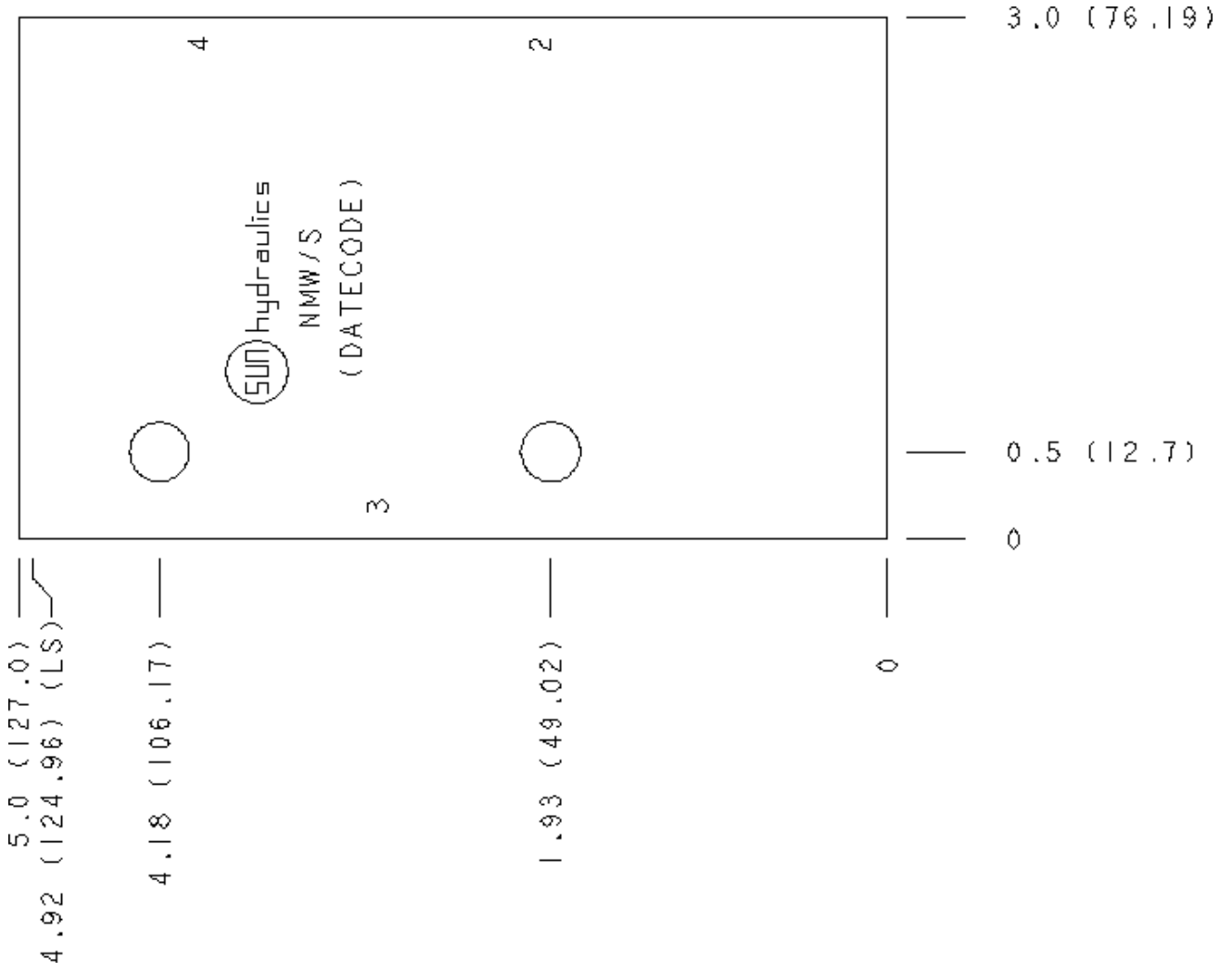
Face 2



Face 5



Face 6



Face 10

