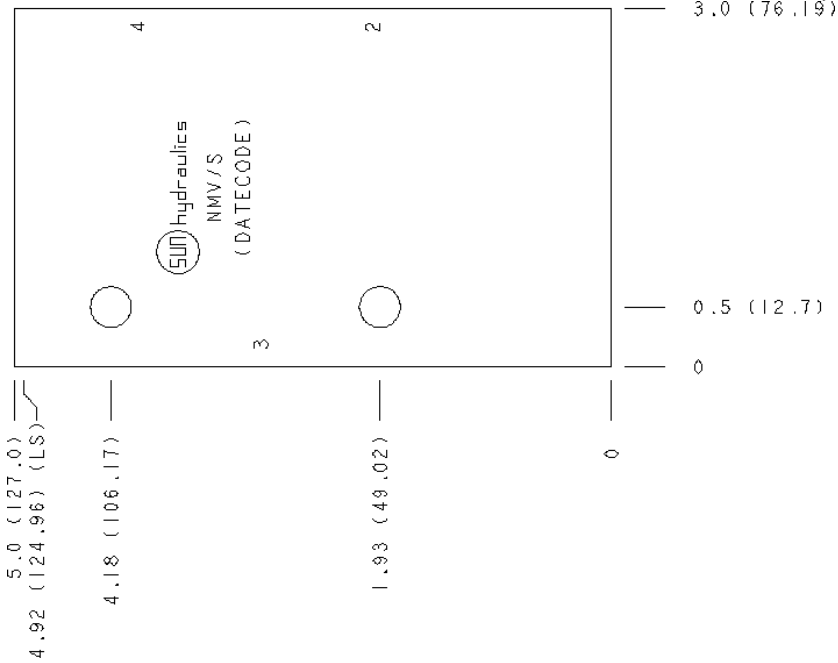


CONFIGURATION

/S Modifier 65-45-12 Ductile Iron, Buna-N, Blackened



TECHNICAL DATA

Body Type	Line mount
Interface	None
Body Features	Ninety degree
Mounting Hole Diameter	8.6 mm
Mounting Hole Depth	Through
Mounting Hole Quantity	2
Open Cavities	1
Cavity	T-32A
Port Size	1/2" BSPP
Model Weight	2.98 kg.

NOTES

Important: Carefully consider the maximum system pressure. The pressure rating of the manifold is dependent on the manifold material, with the port type/size a secondary consideration. Manifolds constructed of aluminum are not rated for pressures higher than 3000 psi (210 bar), regardless of the port type/size specified.

PORT DESIGNATORS

Modifiers	Ports
NMV, /S	All Ports: 1/2" BSPP;

CONFIGURATION OPTIONS

Model Code Example: NMV/S

MODIFIER (S)

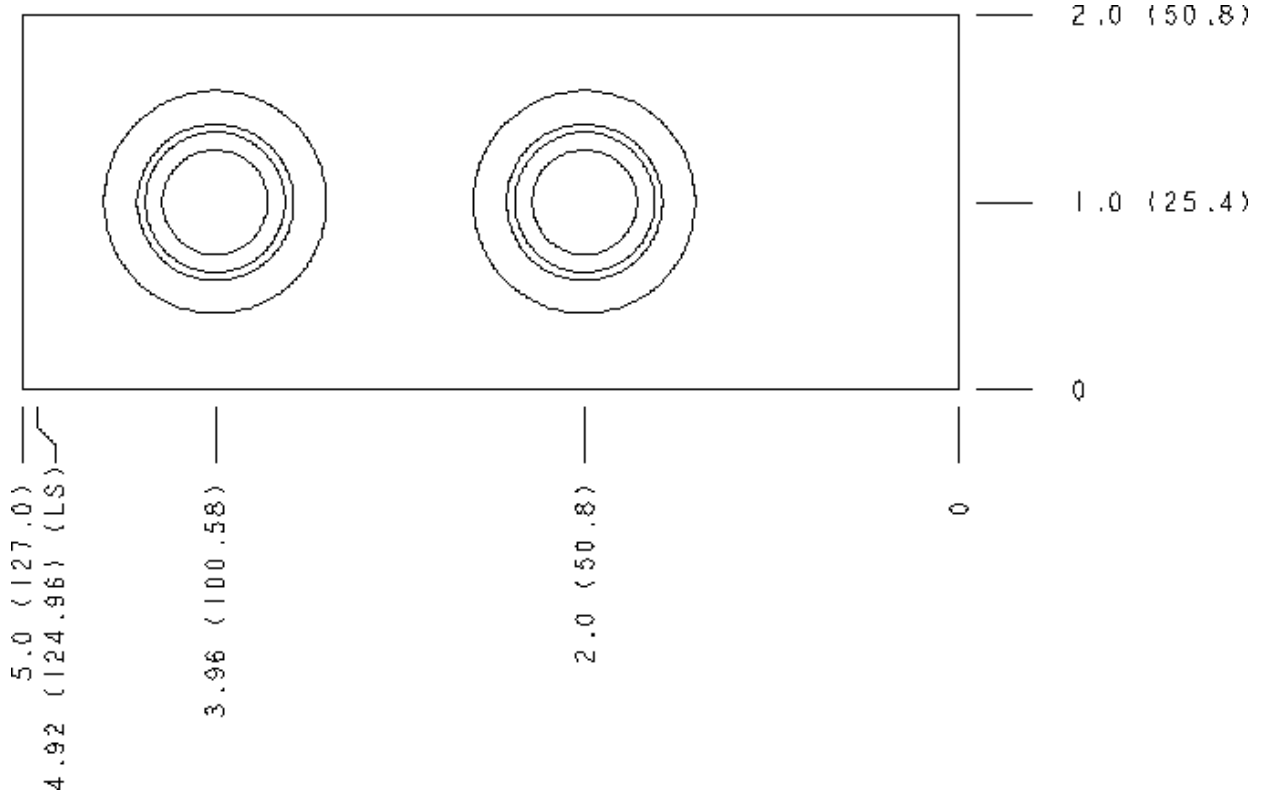
/S 65-45-12 Ductile Iron, Buna-N, Blackened
6061-T651 Aluminum, Buna-N

MANIFOLD FACES

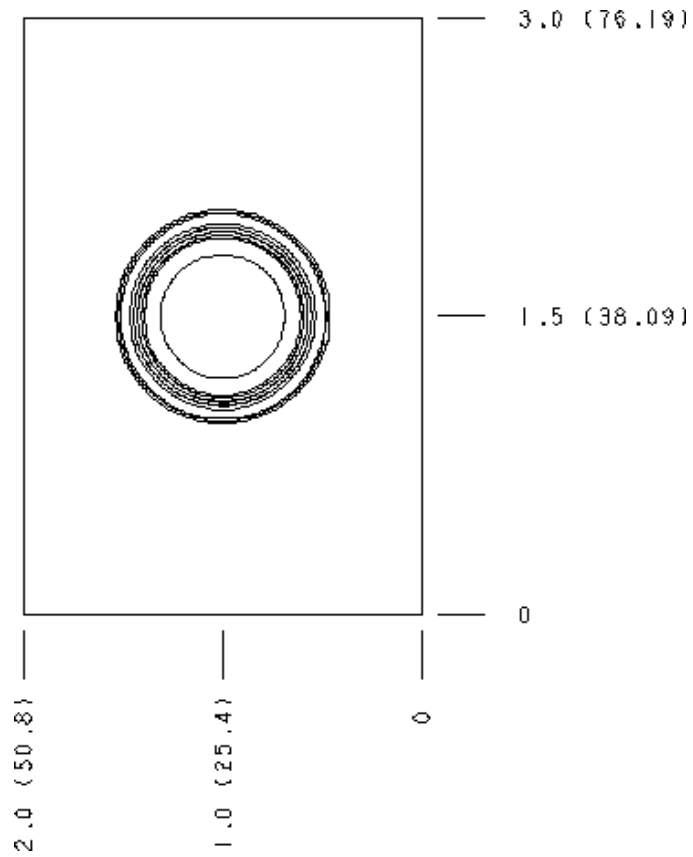
FACE GRID

1	2	3	4
5	6	7	8
9	10	11	12

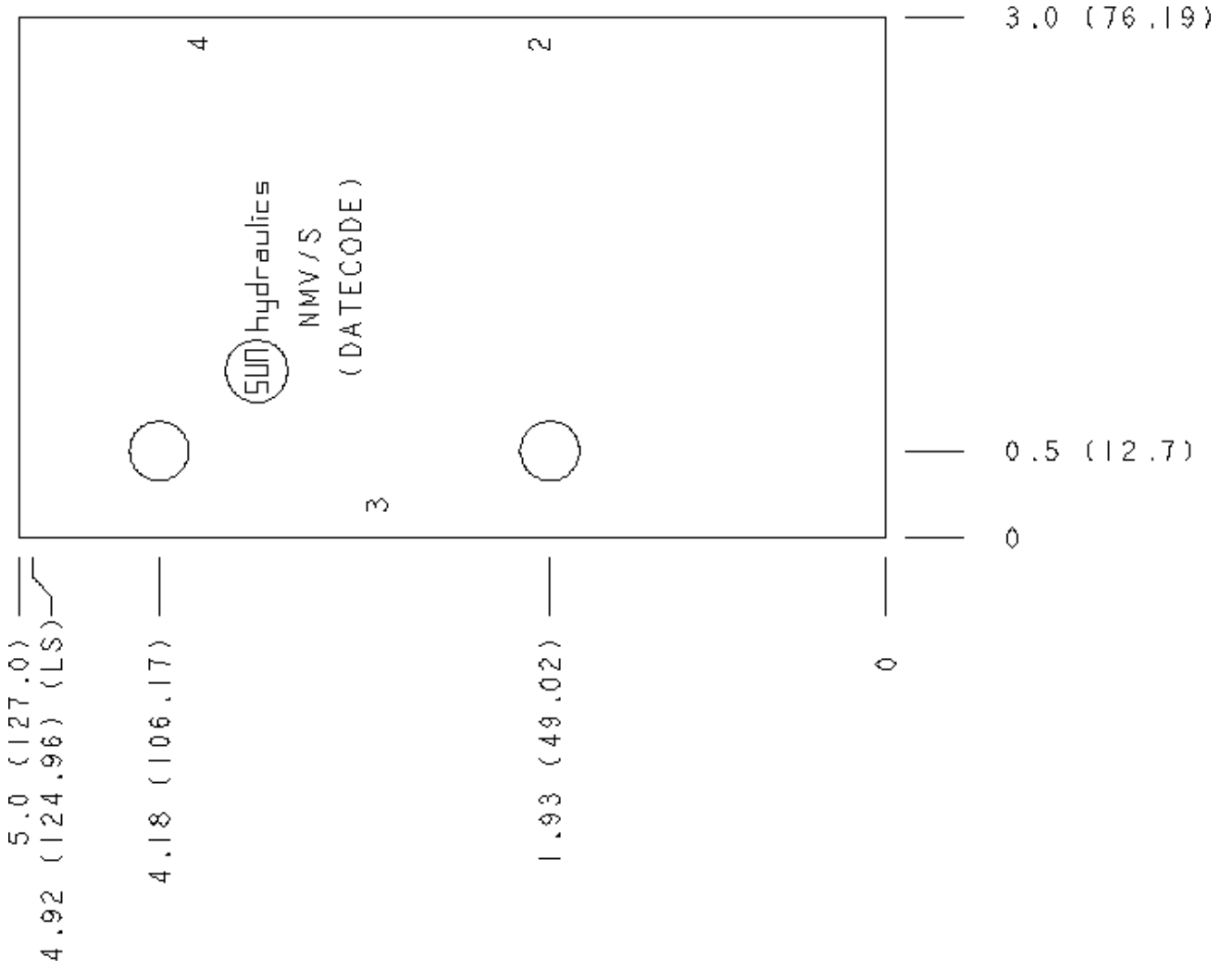
Face 2



Face 5



Face 6



Face 10

