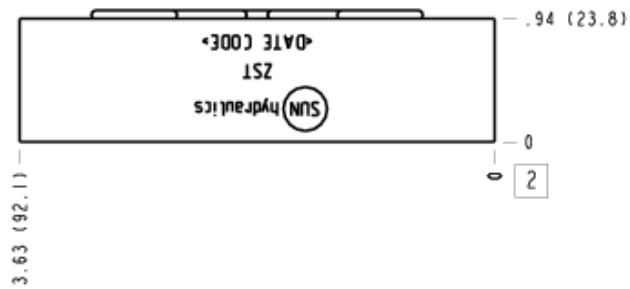
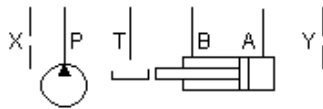


Circuit Saver, Adapts from ISO 05 to ISO 05 x&y (Euro)



**TECHNICAL DATA**

Body Type	Sandwich
Interface	ISO 05
Body Features	Adaptor from ISO 05 to ISO 05 - X & Y (Euro)
Stack Height	.94 in.
Open Cavities	0
Port Size	1/4" NPTF
Model Weight	0.74 lb.

**NOTES**

**Important:** Carefully consider the maximum system pressure. The pressure rating of the manifold is dependent on the manifold material, with the port type/size a secondary consideration. Manifolds constructed of aluminum are not rated for pressures higher than 3000 psi (210 bar), regardless of the port type/size specified.

**PORT DESIGNATORS**

Modifiers	Ports
ZST, /10, /11, /15, /16, /V	Ports X & Y: 1/4" NPTF;
ZST/1A, /1B, /1F, /1G, /M, /Z	Ports X & Y: 1/4" BSPP;

**INCLUDED COMPONENTS**

Part	Description	Quantity
500-001-012	O-Ring	2
500-001-014	O-Ring	5
990-999-006	Retainers and Seal Kits	1

**CONFIGURATION OPTIONS**  
**Model Code Example: ZST**

**MODIFIER**

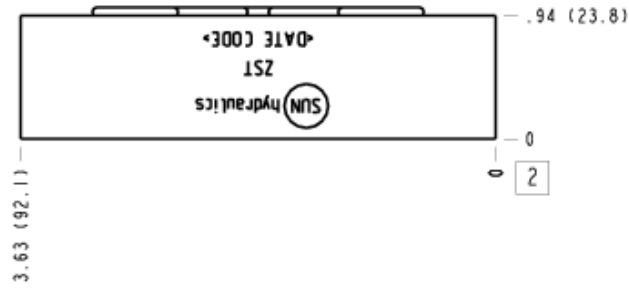
- 6061-T651 Aluminum, Buna-N**
- /11** 6061-T651 Aluminum, Buna-N, Clear Anodize - Per MIL SPEC 8625F Type II, Class I
- /10** 6061-T651 Aluminum, Buna-N, Black Anodize - Per MIL SPEC 8625F Type II, Class II
- /V** 6061-T651 Aluminum, Viton
- /16** 6061-T651 Aluminum, Viton, Clear Anodize - Per MIL SPEC 8625F Type II, Class I
- /15** 6061-T651 Aluminum, Viton, Black Anodize - Per MIL SPEC 8625F Type II, Class II
- /M** 6061-T651 Aluminum, Metric, Buna-N
- /1B** 6061-T651 Aluminum, Metric, Buna-N, Clear Anodize - Per MIL SPEC 8625F Type II, Class I
- /1A** 6061-T651 Aluminum, Metric, Buna-N, Black Anodize - Per MIL SPEC 8625F Type II, Class II
- /Z** 6061-T651 Aluminum, Metric, Viton
- /1G** 6061-T651 Aluminum, Metric, Viton, Clear Anodize - Per MIL SPEC 8625F Type II, Class I
- /1F** 6061-T651 Aluminum, Metric, Viton, Black Anodize - Per MIL SPEC 8625F Type II, Class II
- /S** 65-45-12 Ductile Iron, Buna-N, Chem. Black
- /S3** 65-45-12 Ductile Iron, Buna-N, Trivalent Clear Zinc with Top Sealer
- /Y** 65-45-12 Ductile Iron, Viton, Chem. Black
- /Y3** 65-45-12 Ductile Iron, Viton, Trivalent Clear Zinc with Top Sealer
- /T** 65-45-12 Ductile Iron, Metric, Buna-N, Chem. Black
- /T3** 65-45-12 Ductile Iron, Metric, Buna-N, Trivalent Clear Zinc with Top Sealer
- /W** 65-45-12 Ductile Iron, Metric, Viton, Chem. Black
- /W3** 65-45-12 Ductile Iron, Metric, Viton, Trivalent Clear Zinc with Top Sealer

# MANIFOLD FACES

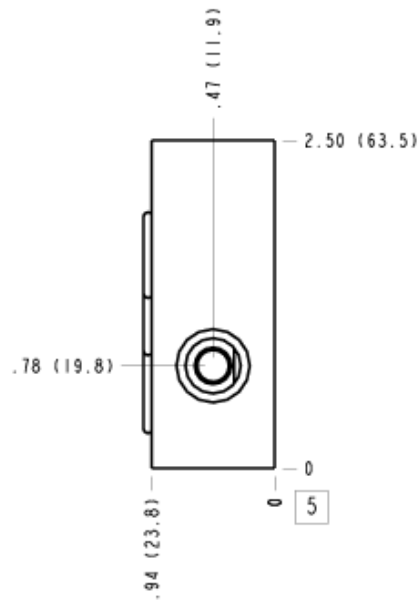
## FACE GRID

1	2	3	4
5	6	7	8
9	10	11	12

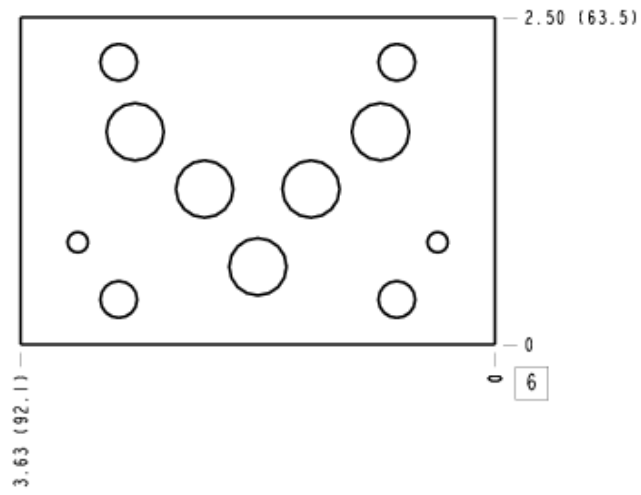
### Face 2



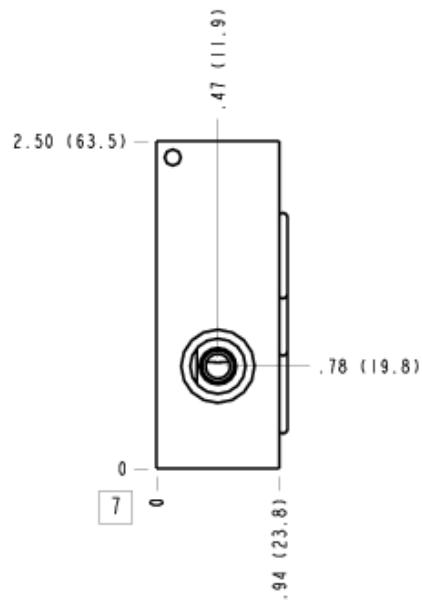
### Face 5



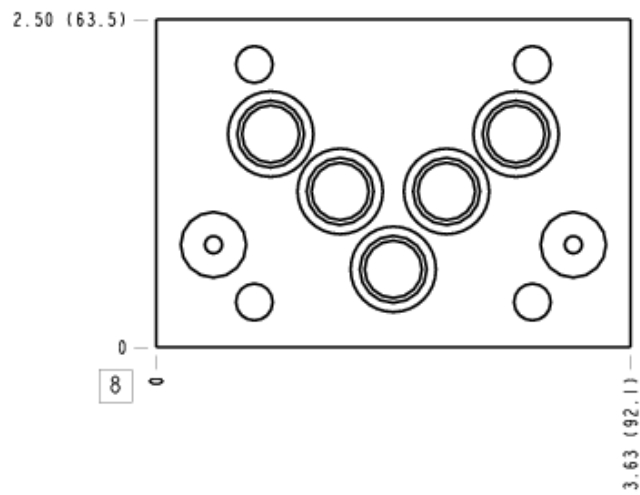
### Face 6



### Face 7



### Face 8



# Face 10

