

TECHNICAL DATA

Body Type	Line mount
Interface	None
Body Features	Ninety degree
Mounting Hole Diameter	.34 in.
Mounting Hole Depth	Through
Mounting Hole Quantity	1
Open Cavities	1
Cavity	T-13A
Port Size	3/8" BSPP
Model Weight	0.32 lb.

NOTES

Important: Carefully consider the maximum system pressure. The pressure rating of the manifold is dependent on the manifold material, with the port type/size a secondary consideration. Manifolds constructed of aluminum are not rated for pressures higher than 3000 psi (210 bar), regardless of the port type/size specified.

PORT DESIGNATORS

Modifiers	Ports
GAU, /S	All Ports: 3/8" BSPP;

CONFIGURATION OPTIONS

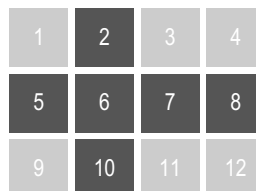
Model Code Example: GAU

MODIFIER

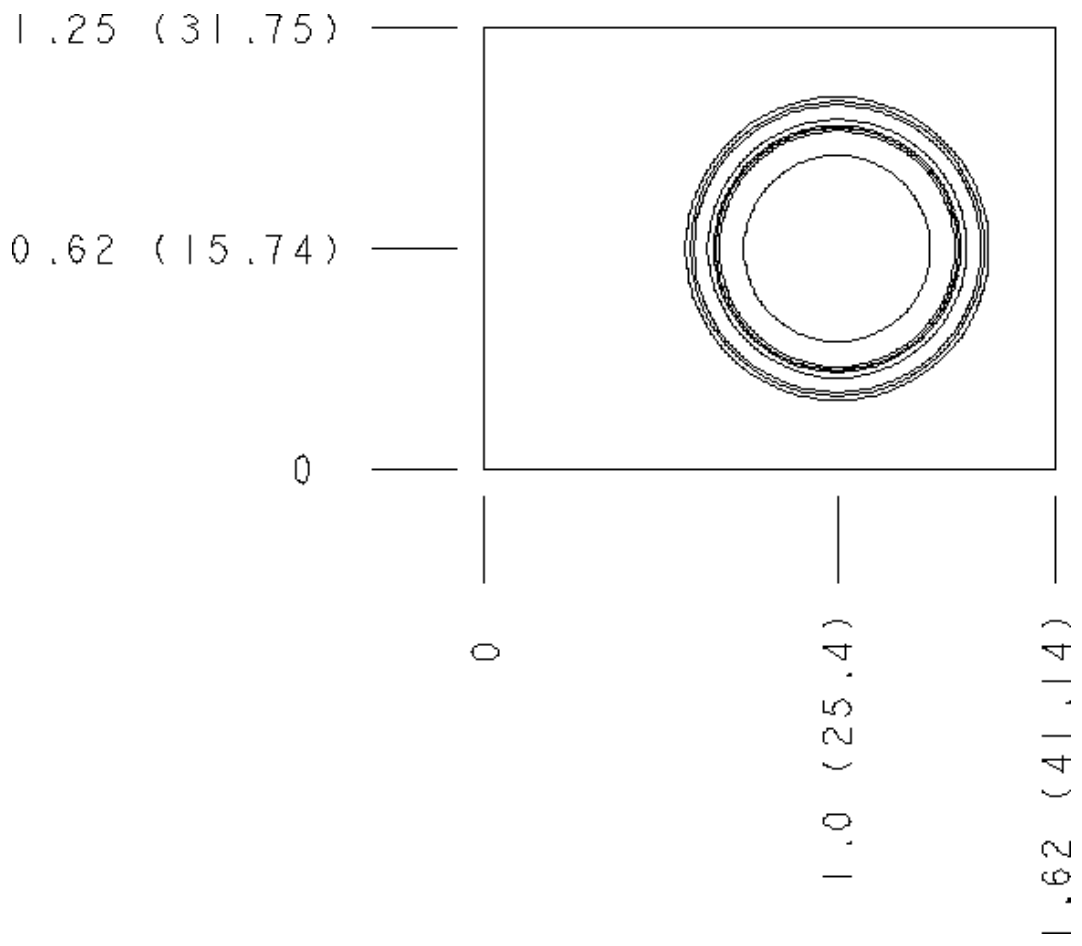
6061-T651 Aluminum, Buna-N
/S 65-45-12 Ductile Iron, Buna-N, Blackened

MANIFOLD FACES

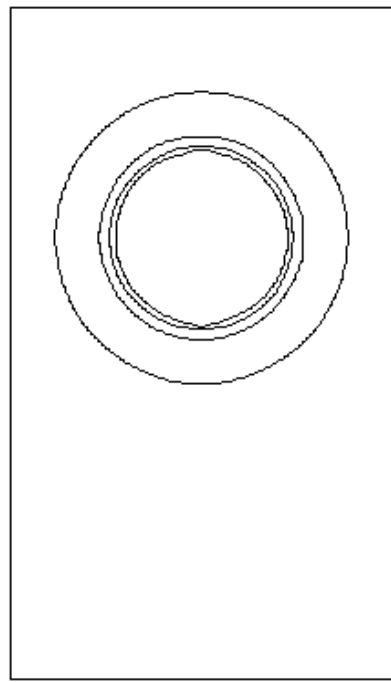
FACE GRID



Face 2



Face 5



2.18 (55.37)
2.15 (54.60) (LS)



1.43 (36.32)



0



1.25 (31.75)

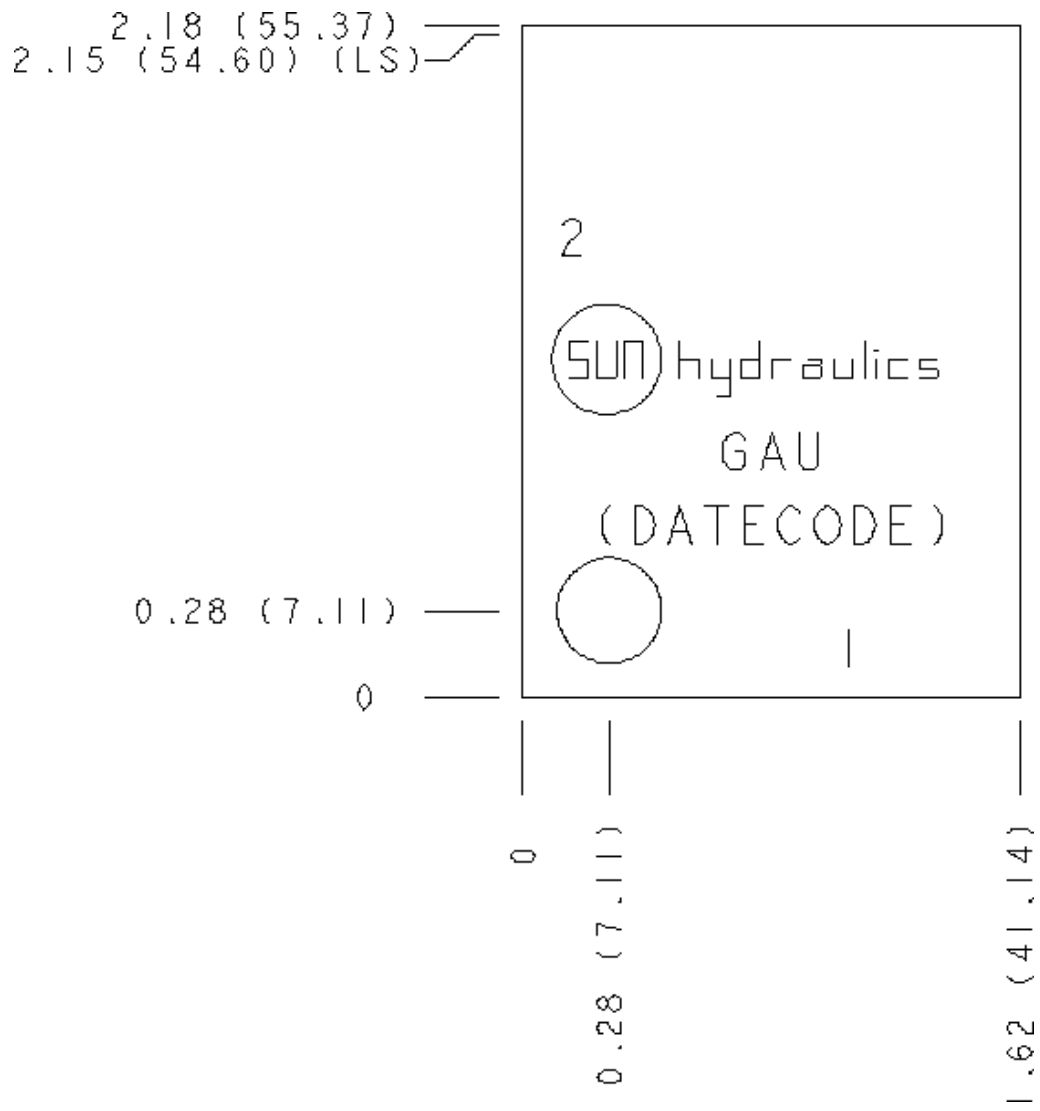


0.62 (15.74)



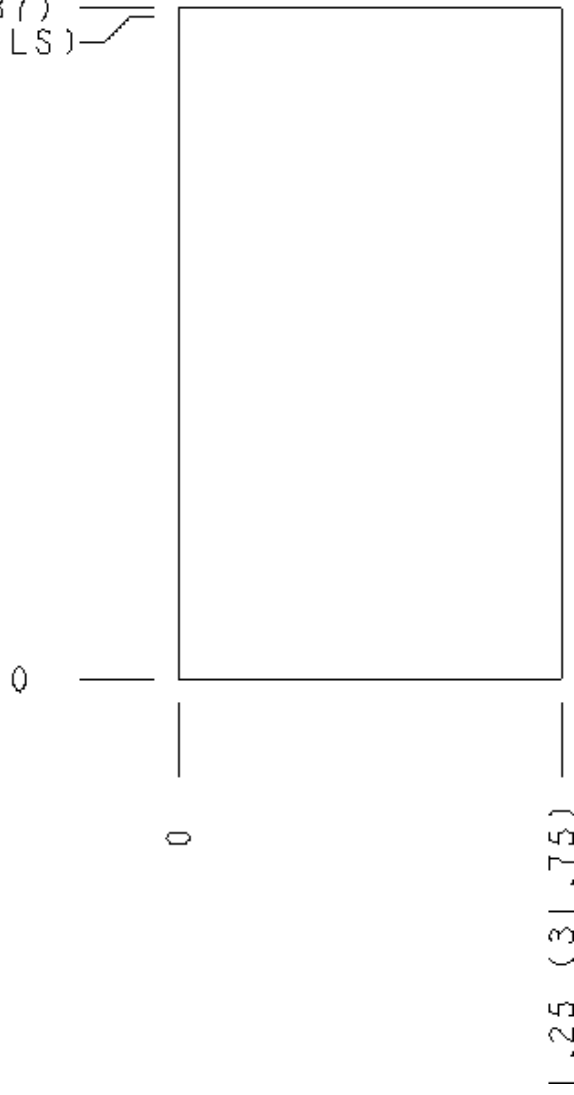
0

Face 6

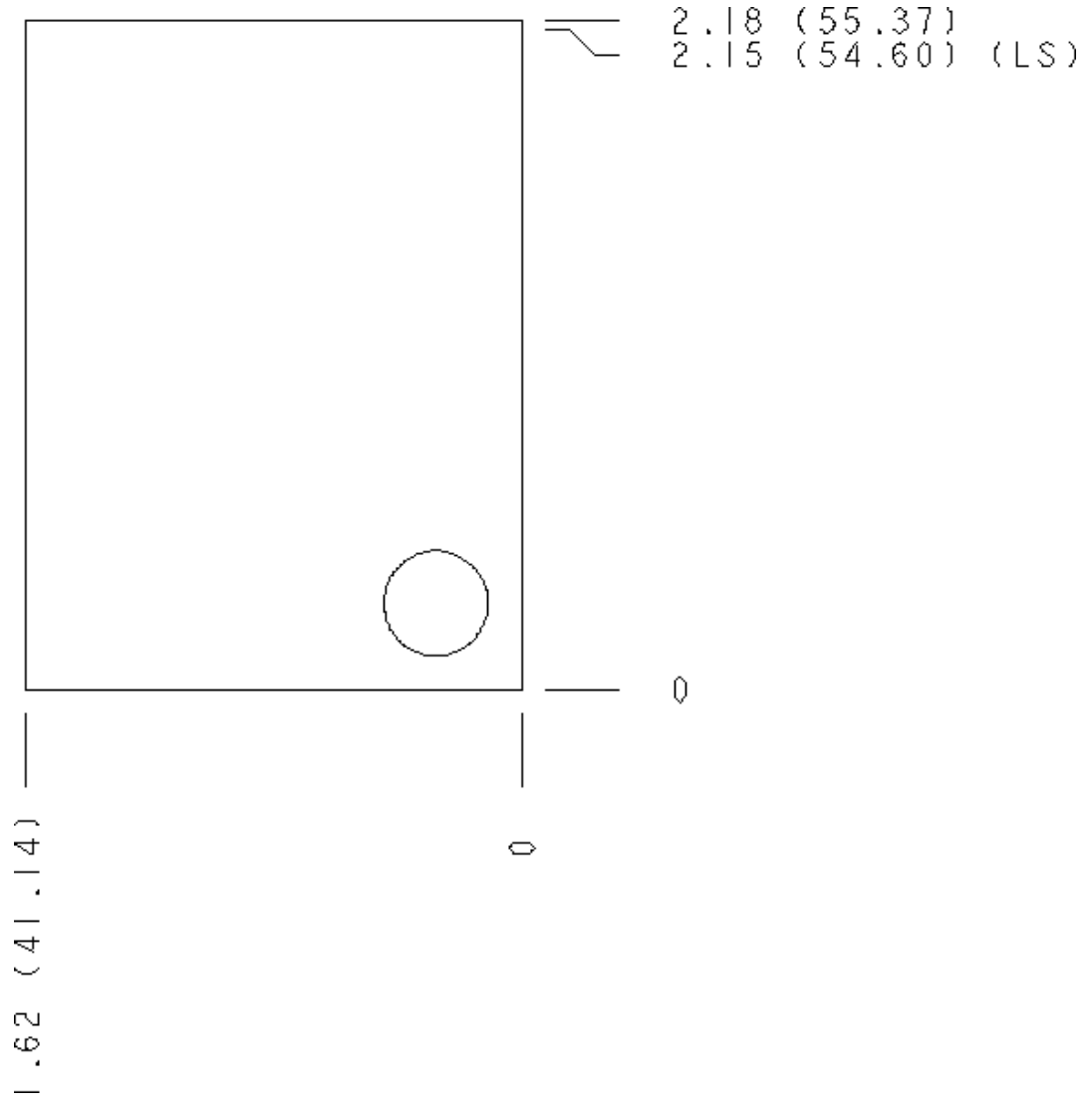


Face 7

2.15 2.18 (55.37)
(54.60) (LS)



Face 8



Face 10

