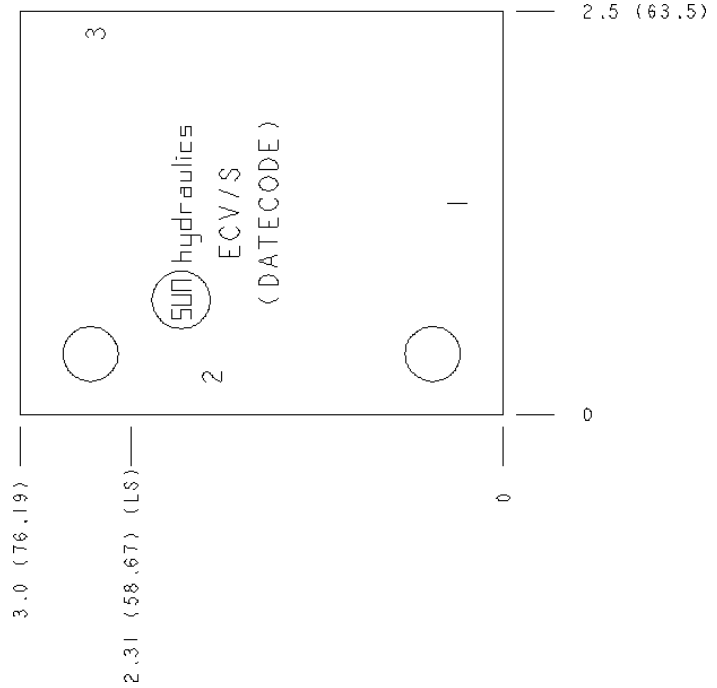


CONFIGURATION

IS Modifier 65-45-12 Ductile Iron, Buna-N, Blackened



TECHNICAL DATA

Body Type	Line mount
Interface	None
Body Features	Ninety degree
Mounting Hole Diameter	8.6 mm
Mounting Hole Depth	Through
Mounting Hole Quantity	2
Open Cavities	1
Cavity	T-11A
Port Size	1/2" BSPP
Model Weight	0.84 kg.

NOTES

Important: Carefully consider the maximum system pressure. The pressure rating of the manifold is dependent on the manifold material, with the port type/size a secondary consideration. Manifolds constructed of aluminum are not rated for pressures higher than 3000 psi (210 bar), regardless of the port type/size specified.

PORT DESIGNATORS

Modifiers	Ports
ECV, /S	Ports 1 & 2: 1/2" BSPP; Port 3: 1/4" BSPP;

CONFIGURATION OPTIONS
Model Code Example: ECV/S

MODIFIER _____ **(/S)**
/S 65-45-12 Ductile Iron, Buna-N, Blackened
 6061-T651 Aluminum, Buna-N

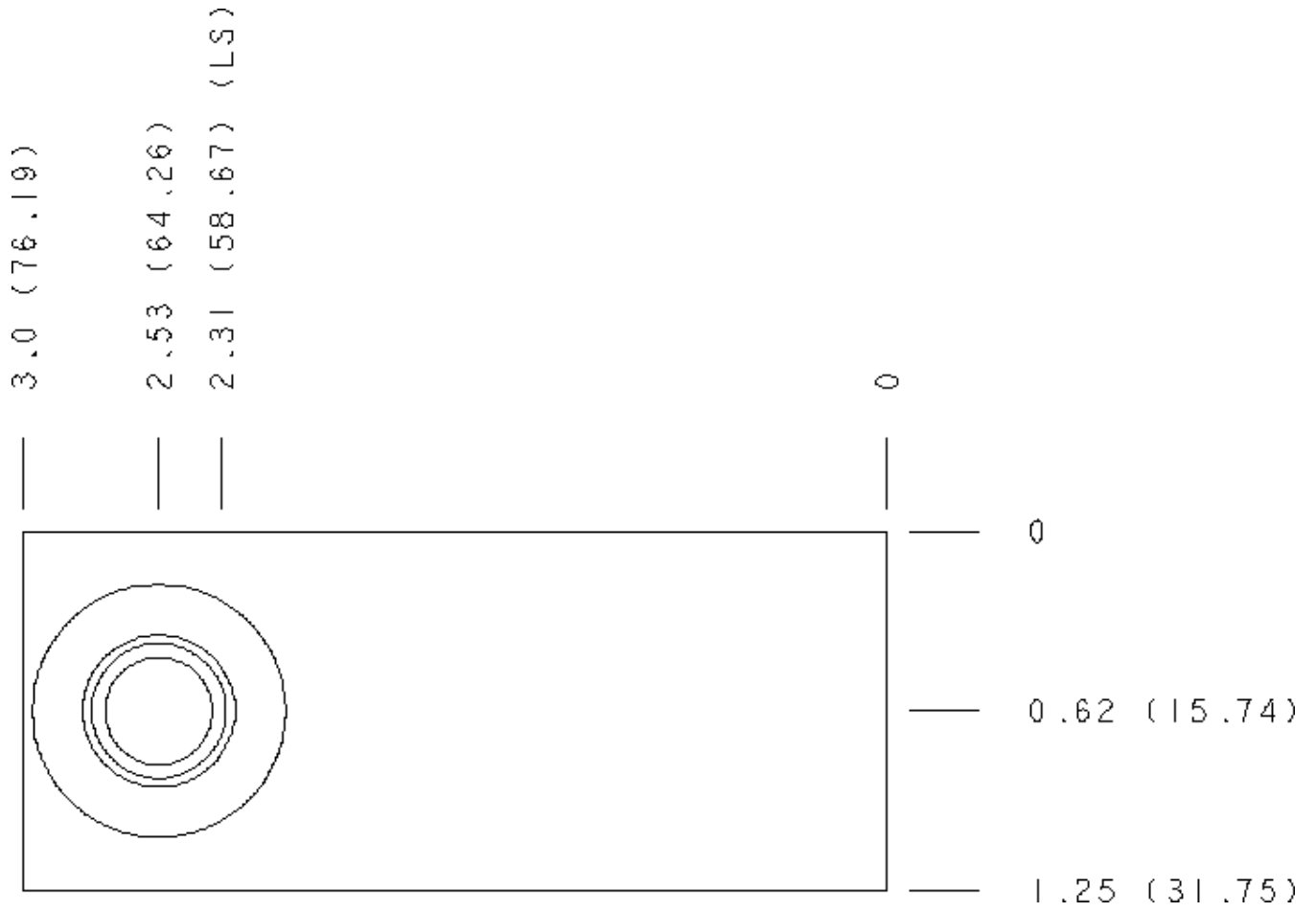
MANIFOLD FACES

FACE GRID

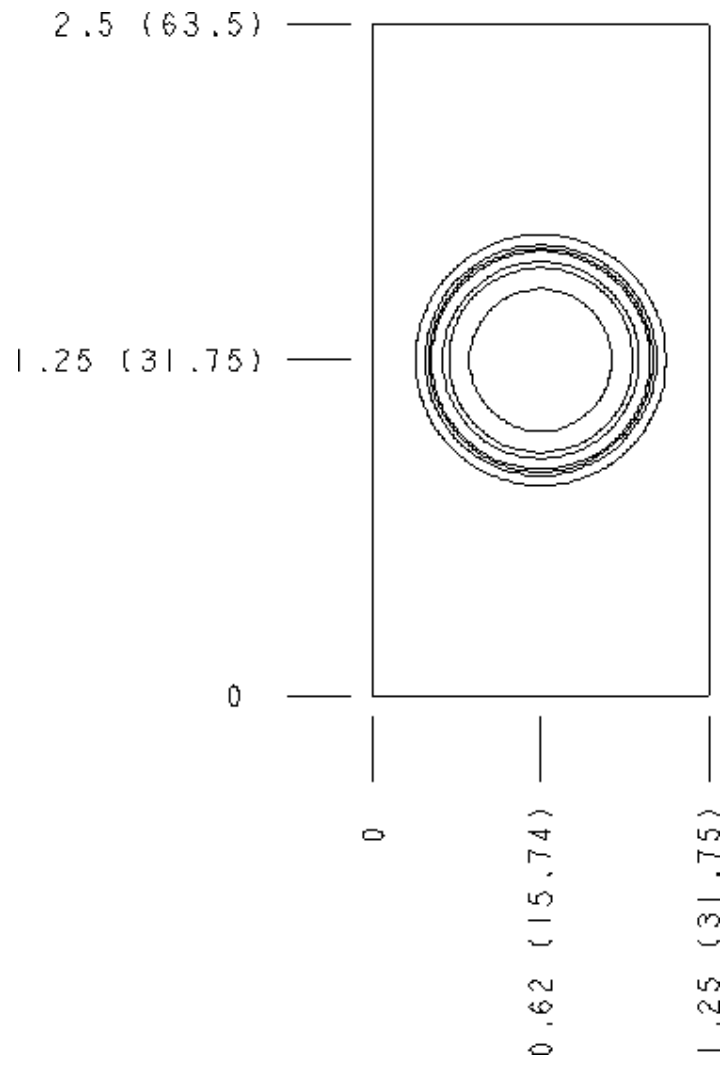


5	6	7	8
9	10	11	12

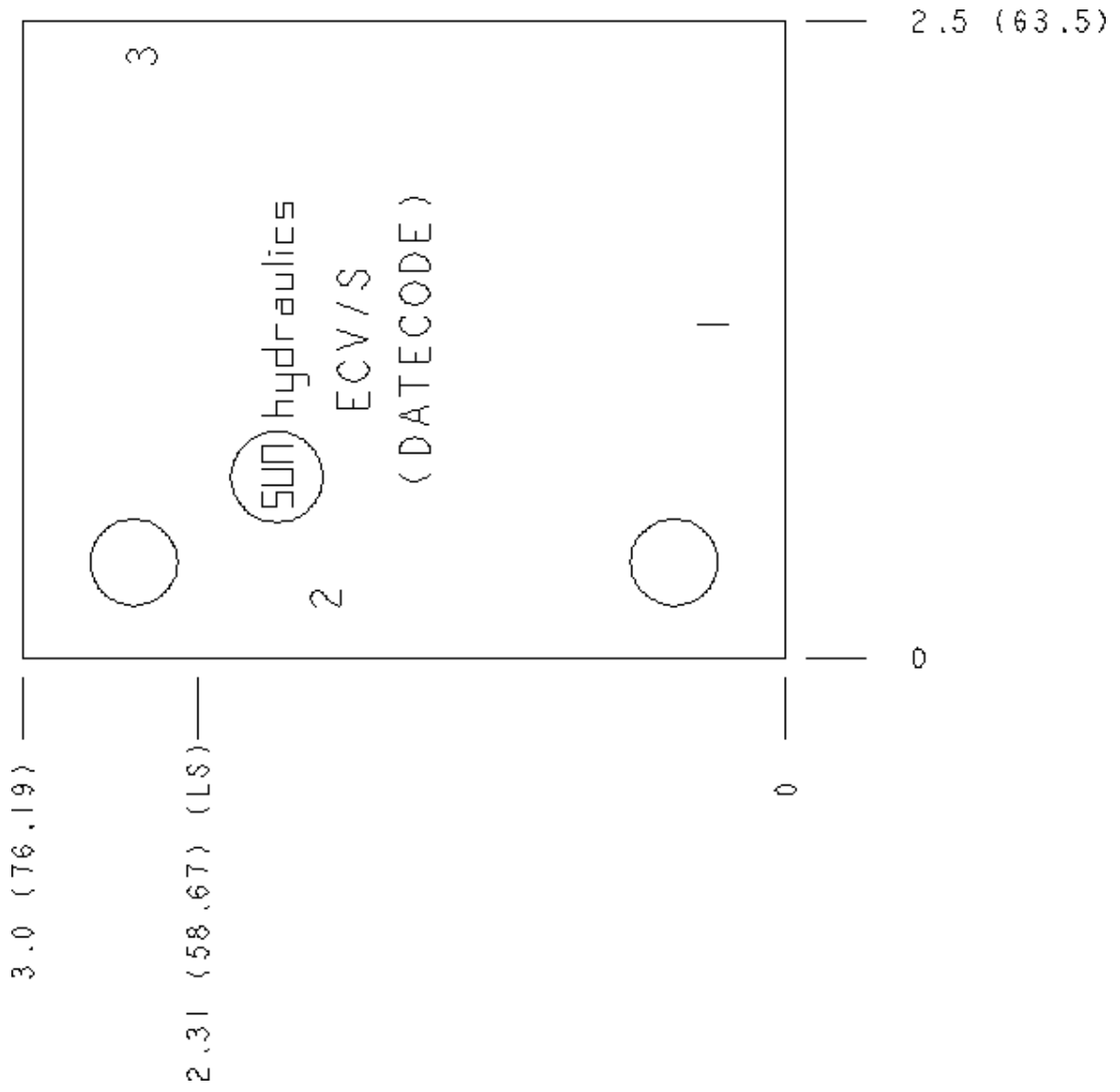
Face 2



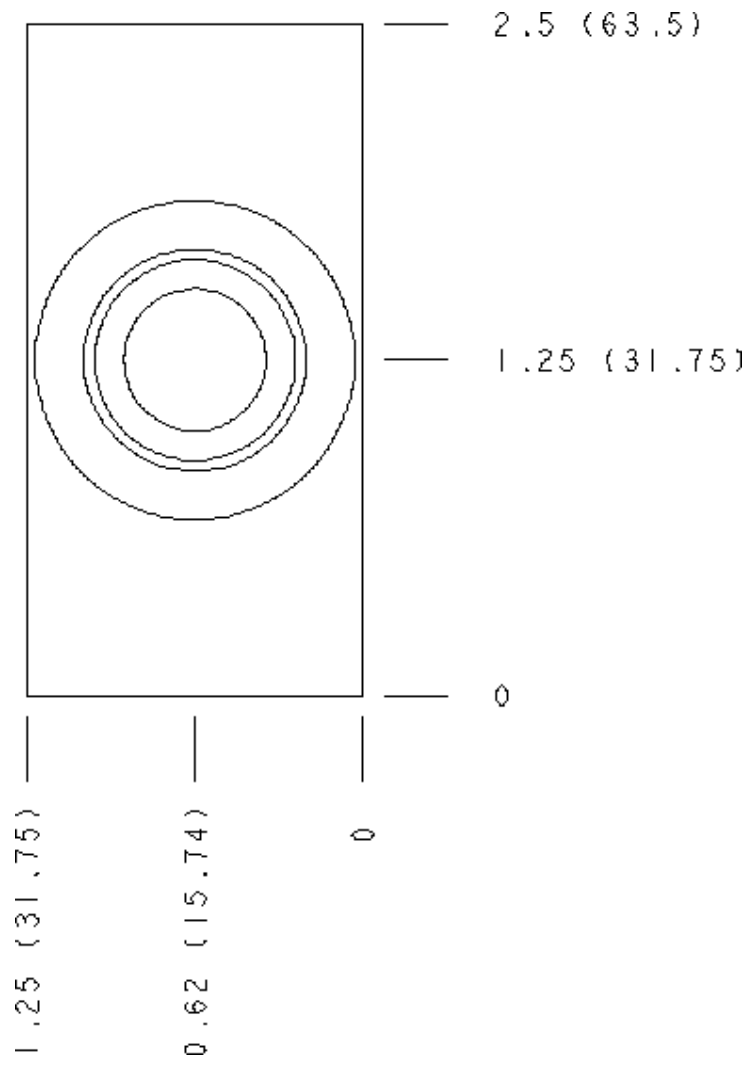
Face 5



Face 6



Face 7



Face 10

