

**TECHNICAL DATA**

Body Type	Line mount
Interface	None
Body Features	Ninety degree
Mounting Hole Diameter	.41 in.
Mounting Hole Depth	Through
Mounting Hole Quantity	2
Open Cavities	1
Cavity	T-23A
Port Size	3/4" BSPP
Model Weight	3.33 lb.

**NOTES** *Important:* Carefully consider the maximum system pressure. The pressure rating of the manifold is dependent on the manifold material, with the port type/size a secondary consideration. Manifolds constructed of aluminum are not rated for pressures higher than 3000 psi (210 bar), regardless of the port type/size specified.

**PORT DESIGNATORS**

Modifiers	Ports
PCW	Ports 1 & 2: 3/4" BSPP; Ports 3 & 4: 1/4" BSPP;

**CONFIGURATION OPTIONS**

Model Code Example: PCW

**MODIFIER**

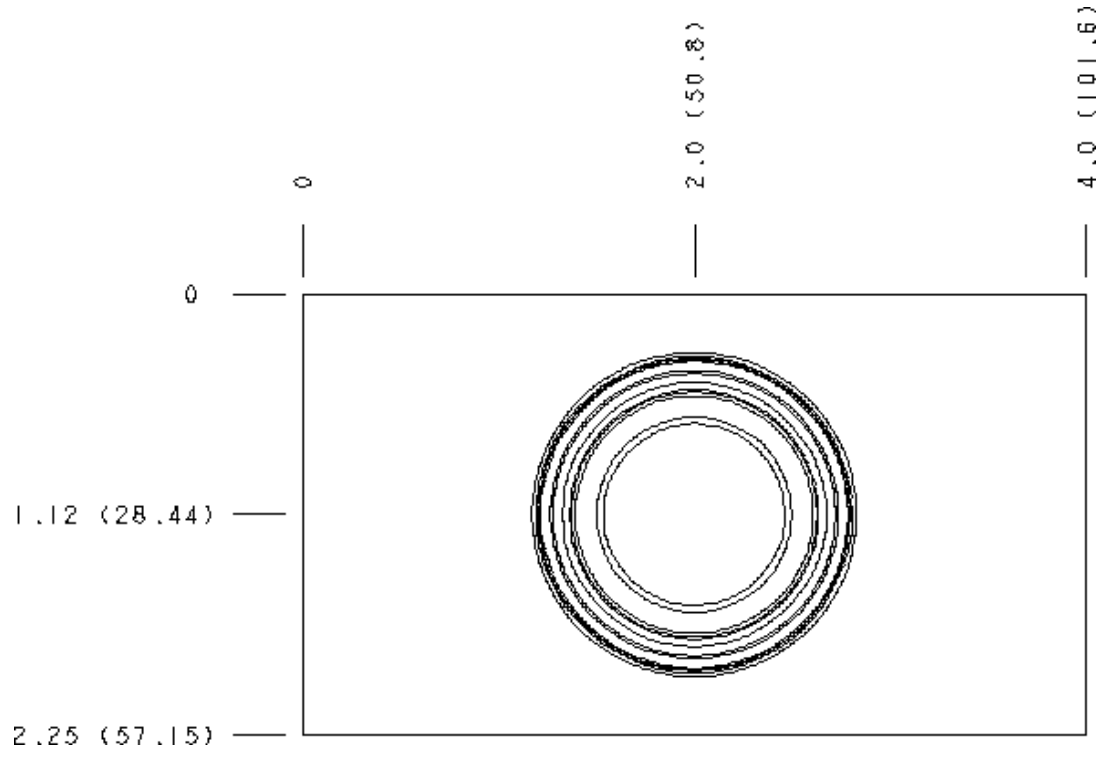
6061-T651 Aluminum, Buna-N  
/S 65-45-12 Ductile Iron, Buna-N, Blackened

**MANIFOLD FACES**

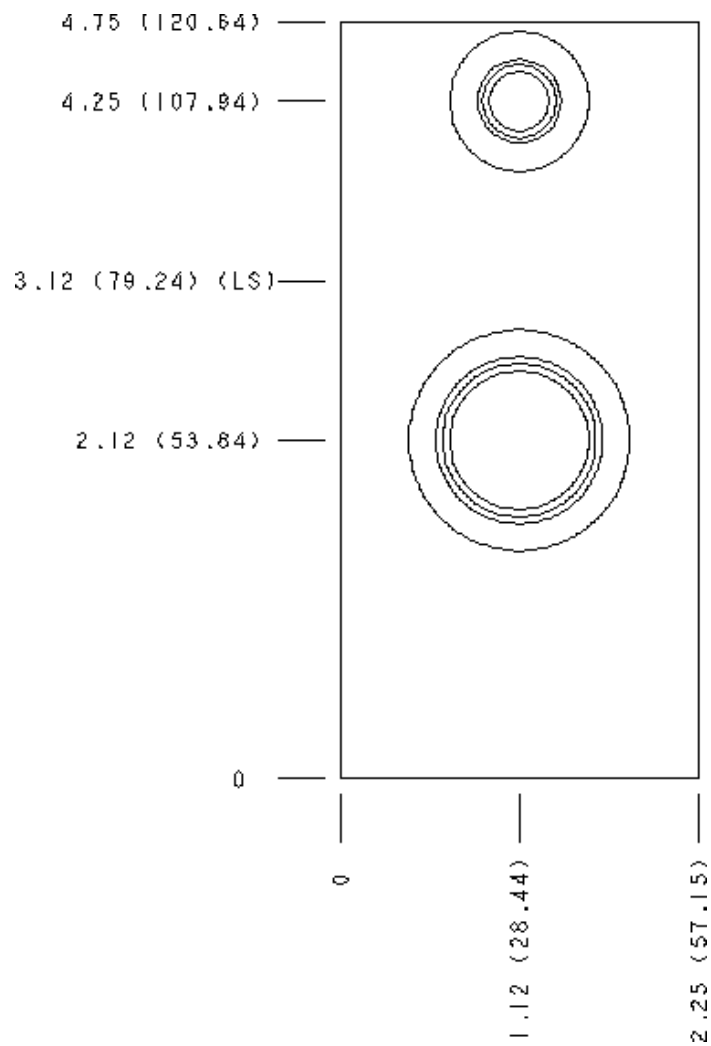
**FACE GRID**

1	2	3	4
5	6	7	8
9	10	11	12

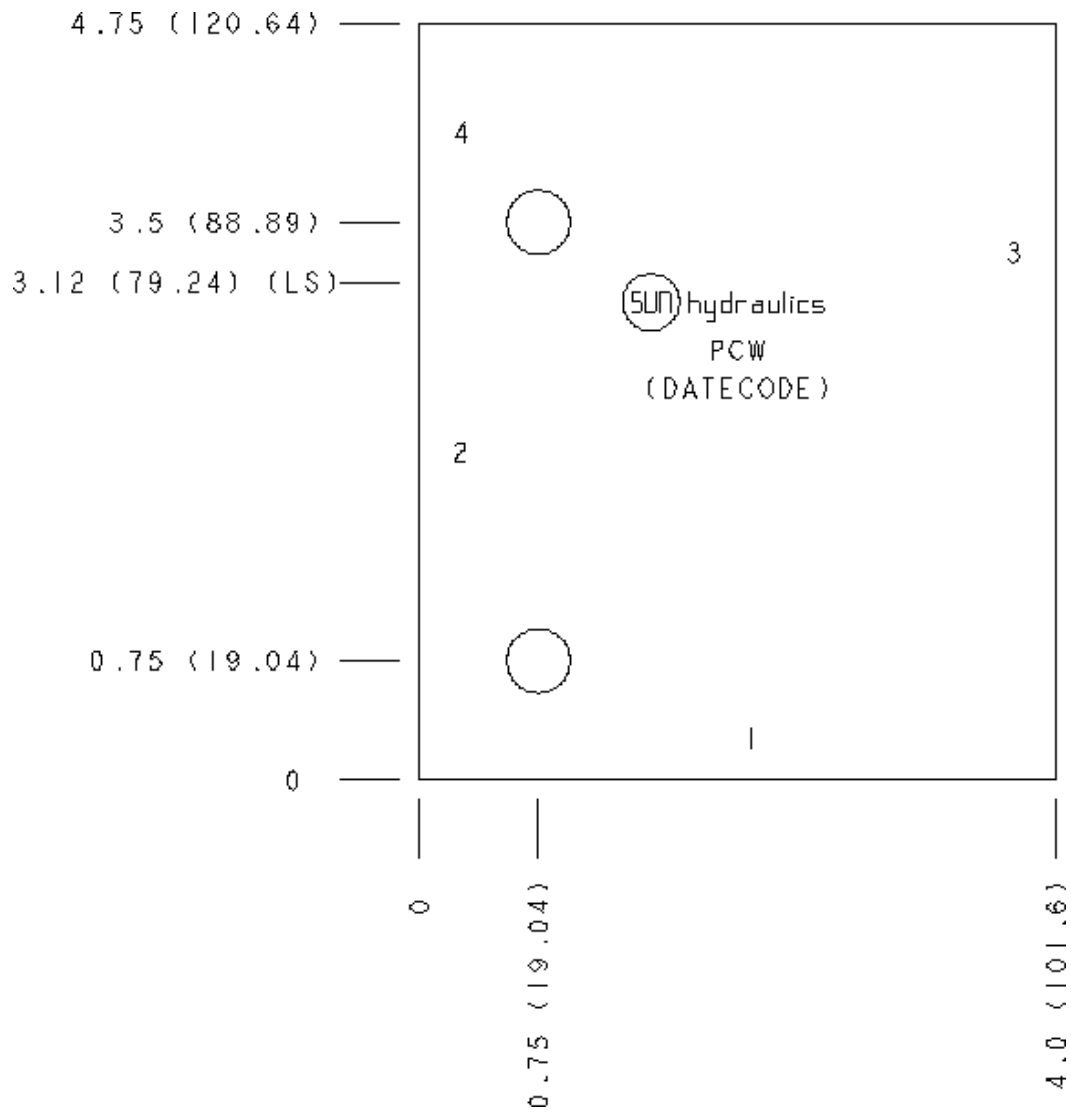
### Face 2



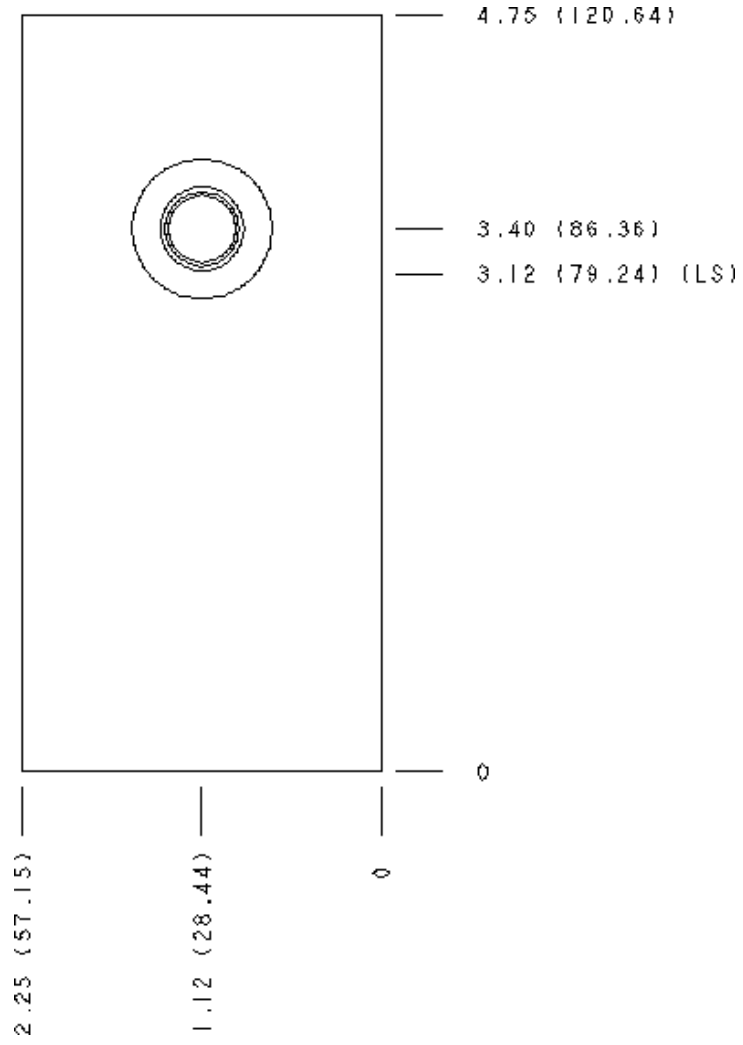
### Face 5



# Face 6



### Face 7



### Face 10

