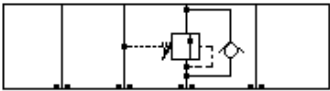
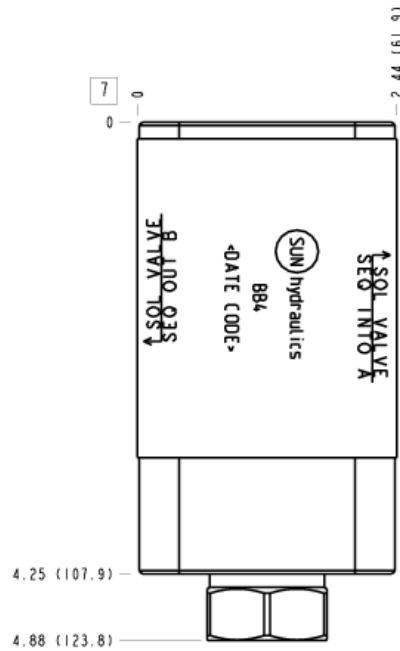
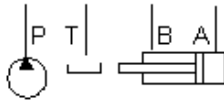


Sequence, In to A with reverse flow check



Sequence, Out of B with reverse flow check



**TECHNICAL DATA**

Body Type	Sandwich
Interface	ISO 05
Body Features	Sequence into A or out of B with reverse flow check
Stack Height	63 mm
Seal Plate Included (see notes)	Yes
Open Cavities	1
Cavity	T-2A
Model Weight	1.09 kg.

**NOTES**

- Stack height value in technical data table includes seal retainer plate.
- Important:** Carefully consider the maximum system pressure. The pressure rating of the manifold is dependent on the manifold material, with the port type/size a secondary consideration. Manifolds constructed of aluminum are not rated for pressures higher than 3000 psi (210 bar), regardless of the port type/size specified.

**INCLUDED COMPONENTS**

Part	Description	Quantity
500-001-014	O-Ring	5
700-001	Seal Plate	1
CXEDXAN	Cartridge	1

**CONFIGURATION OPTIONS**

**Model Code Example: BB4**

**MODIFIER**

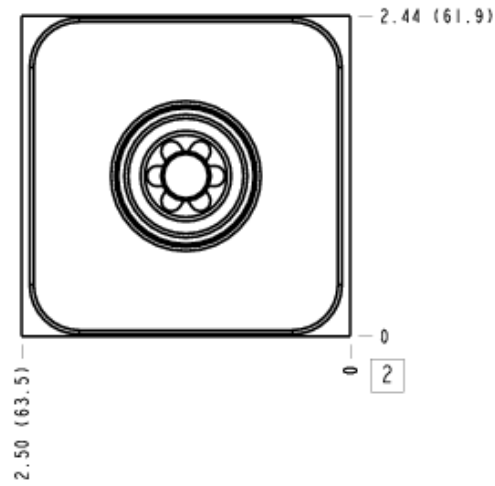
- 6061-T651 Aluminum, Buna-N**
- /11** 6061-T651 Aluminum, Buna-N, Clear Anodize - Per MIL SPEC 8625F Type II, Class I
- /10** 6061-T651 Aluminum, Buna-N, Black Anodize - Per MIL SPEC 8625F Type II, Class II
- /V** 6061-T651 Aluminum, Viton
- /16** 6061-T651 Aluminum, Viton, Clear Anodize - Per MIL SPEC 8625F Type II, Class I
- /15** 6061-T651 Aluminum, Viton, Black Anodize - Per MIL SPEC 8625F Type II, Class II
- /S** 65-45-12 Ductile Iron, Buna-N, Chem. Black
- /S3** 65-45-12 Ductile Iron, Buna-N, Trivalent Clear Zinc with Top Sealer
- /Y** 65-45-12 Ductile Iron, Viton, Chem. Black
- /Y3** 65-45-12 Ductile Iron, Viton, Trivalent Clear Zinc with Top Sealer

# MANIFOLD FACES

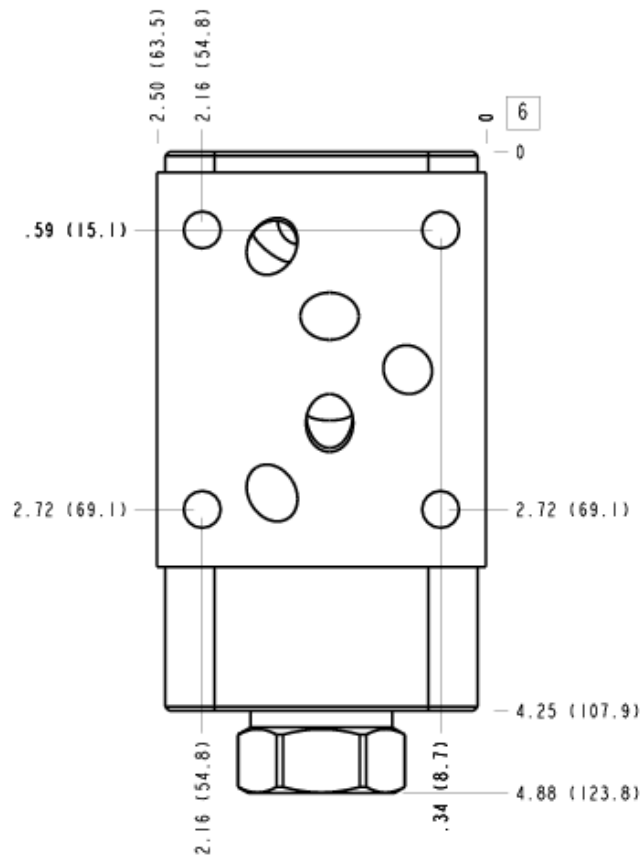
## FACE GRID

1	2	3	4
5	6	7	8
9	10	11	12

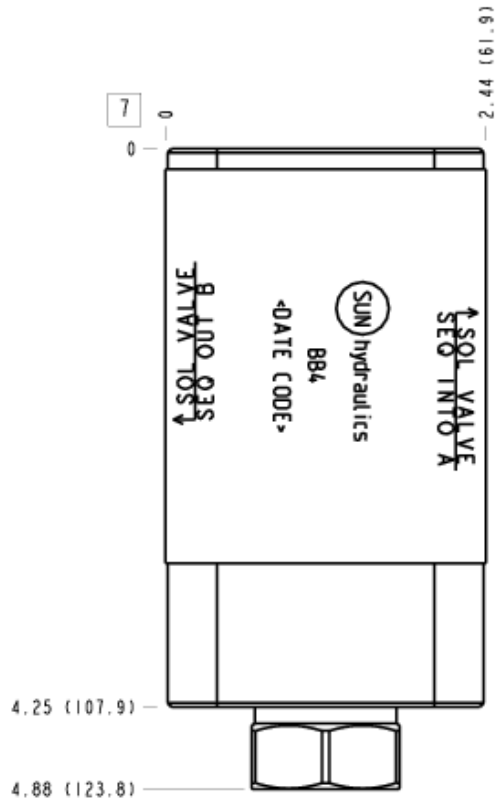
### Face 2



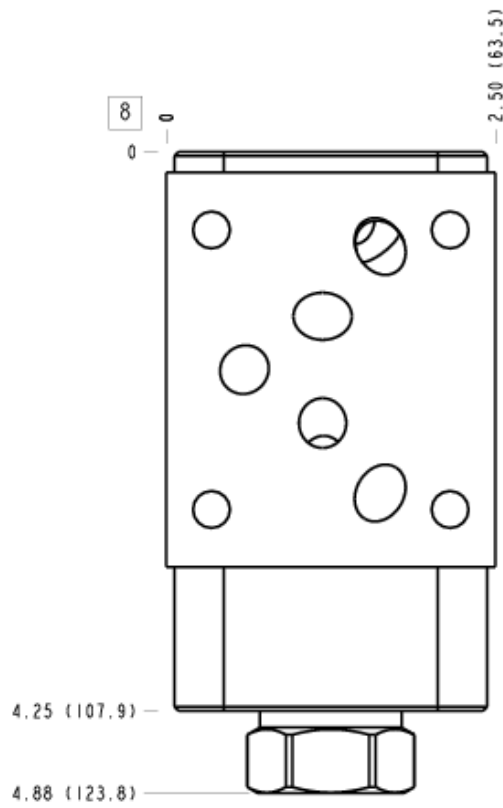
### Face 6



### Face 7



### Face 8



# Face 10

