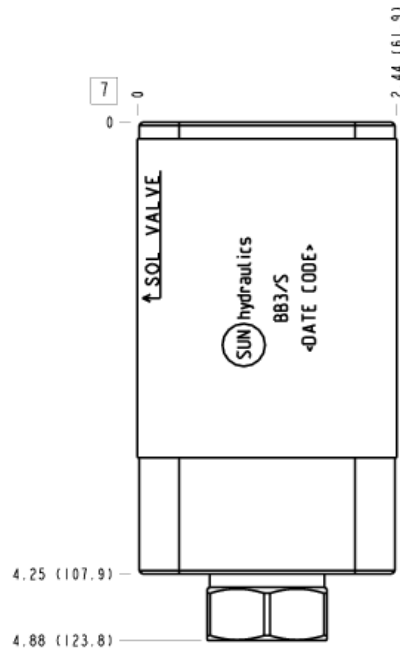
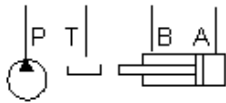


Reducing/Relieving, On B tank to T, reverse flow check



CONFIGURATION

/S Modifier 65-45-12 Ductile Iron, Buna-N, Chem. Black

TECHNICAL DATA

Body Type	Sandwich
Interface	ISO 05
Body Features	Reducer on B with reverse flow check
Stack Height	63 mm
Seal Plate Included (see notes)	Yes
Open Cavities	1
Cavity	T-2A
Model Weight	2.55 kg.

NOTES

- Stack height value in technical data table includes seal retainer plate.
- Important:** Carefully consider the maximum system pressure. The pressure rating of the manifold is dependent on the manifold material, with the port type/size a secondary consideration. Manifolds constructed of aluminum are not rated for pressures higher than 3000 psi (210 bar), regardless of the port type/size specified.

INCLUDED COMPONENTS

Part	Description	Quantity
500-001-014	O-Ring	5
700-001	Seal Plate	1
CXFAXCN	Cartridge	1

CONFIGURATION OPTIONS

Model Code Example: BB3/S

MODIFIER (S)

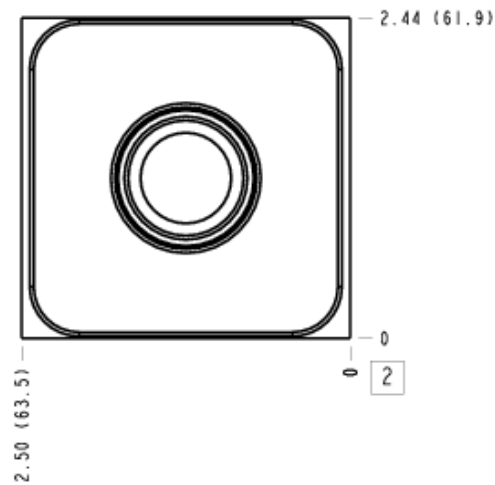
- /S** 65-45-12 Ductile Iron, Buna-N, Chem. Black
- 6061-T651 Aluminum, Buna-N
- /11** 6061-T651 Aluminum, Buna-N, Clear Anodize - Per MIL SPEC 8625F Type II, Class I
- /10** 6061-T651 Aluminum, Buna-N, Black Anodize - Per MIL SPEC 8625F Type II, Class II
- /V** 6061-T651 Aluminum, Viton
- /16** 6061-T651 Aluminum, Viton, Clear Anodize - Per MIL SPEC 8625F Type II, Class I
- /15** 6061-T651 Aluminum, Viton, Black Anodize - Per MIL SPEC 8625F Type II, Class II
- /S3** 65-45-12 Ductile Iron, Buna-N, Trivalent Clear Zinc with Top Sealer
- /Y** 65-45-12 Ductile Iron, Viton, Chem. Black
- /Y3** 65-45-12 Ductile Iron, Viton, Trivalent Clear Zinc with Top Sealer

MANIFOLD FACES

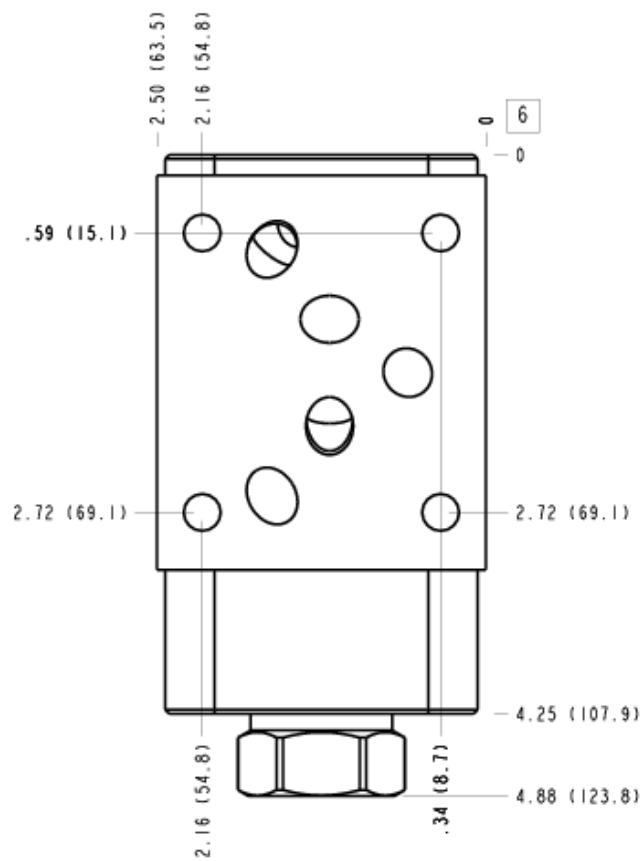
FACE GRID

1	2	3	4
5	6	7	8
9	10	11	12

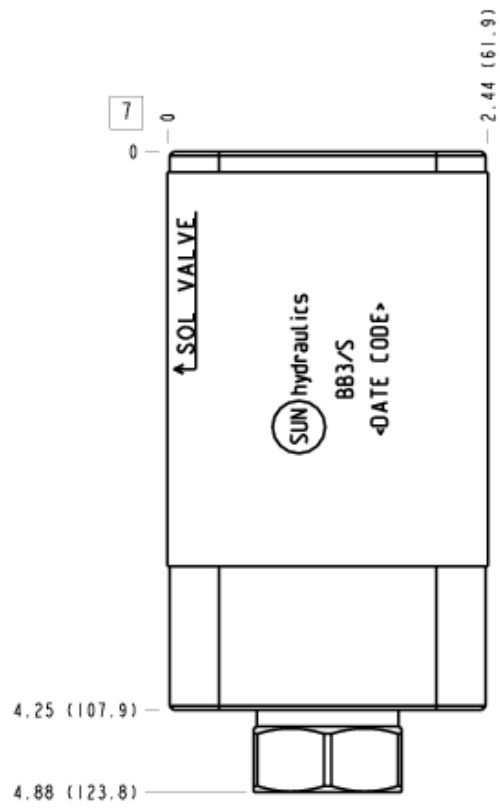
Face 2



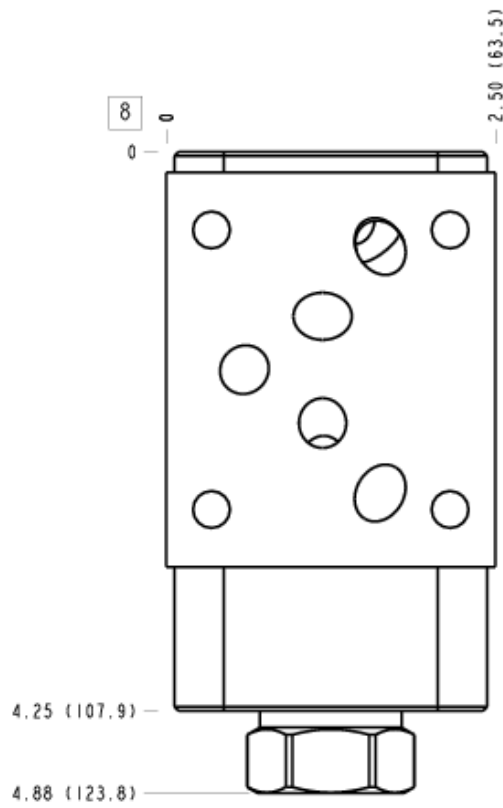
Face 6



Face 7



Face 8



Face 10

