



.....
Diverters

EDM

Monoblock diverters

Product range

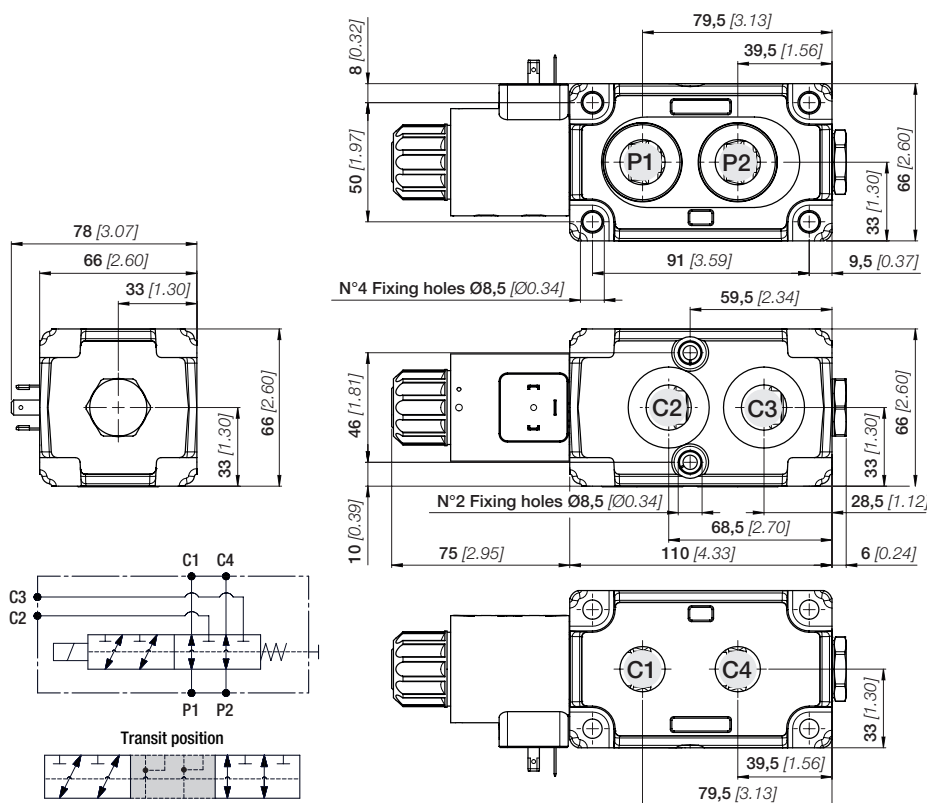
DT.EDM.01

FUNCTIONS AND BENEFITS MONOBLOCK DIVERTER - EDM

- Usable as stand-alone.
- Directional spool valve with direct solenoid control.
- Coils with different connectors and voltage are available.
- Compact design and easy mounting.
- Integrated threaded ports.



The dimensional drawing represents a EDM08A with DIN 43650 ISO 4400 Solenoid kit and internal drain circuit.



DIMENSIONS EDM08A

Inlet port (P1 - P2)	G 3/8
Service port (C1 - C4)	3/4"-16 UNF G 3/8 JIS B 2351
Service port (C2 - C3)	
Drain port (D)	G 1/4 7/16"-20 UNF

DIMENSIONS EDM10A

Inlet port (P1 - P2)	G 1/2
Service port (C1 - C4)	7/8"-14 UNF G 1/2 JIS B 2351
Service port (C2 - C3)	
Drain port (D)	G 1/4 7/16"-20 UNF

TECNICAL DATA

	EDM08A	EDM10A
Number of sections	1	1
Nominal flow (l/min) - [GPM]	50 [14]	100 [28]
Internal leakage A(B) → T (cm ³ /min) Δp = 100 bar / T = 40° C	min. 10 [0.61] - max. 20 [1.22]	
Operating pressure (bar) [psi]	250 [3625]	250 [3625]
Operating pressure by using external drain (bar) [psi]	310 [4500]	310 [4500]
Diverter valve stroke (mm) [in]	3,2 [0.13]	3,2 [0.13]



EBI MOTION CONTROLS
s.r.l. a socio unico
Operational HQ - Legal HQ Via
Andrea Costa, 11/2
40057 Cadriano
Granarolo dell'Emilia (Bo) - Italy
www.ebimc.com

EDM

Monoblock diverters

Product range

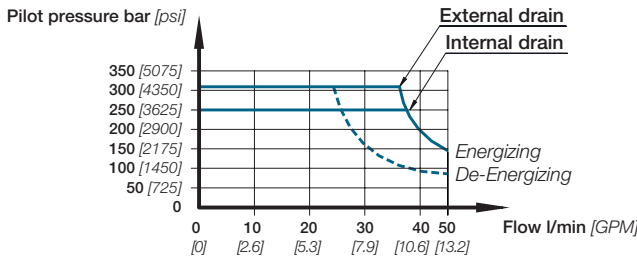


TYPICAL CURVES

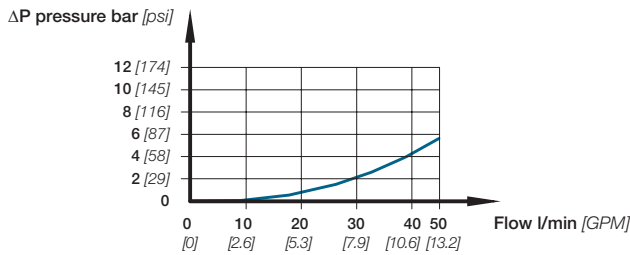
All information and diagrams refer to a mineral base oil ISO-VG46 at $40^{\circ} \pm 5^{\circ}\text{C}$ temperature (32 cSt kinematic viscosity).

Diverter EDM08A

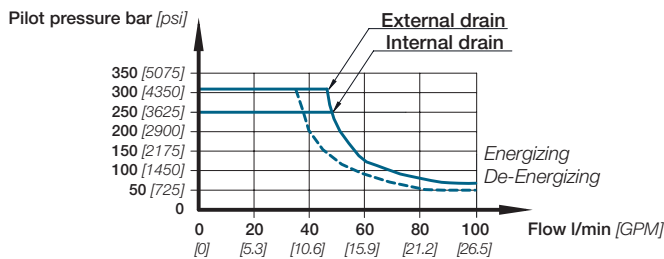
Performance Data
Pressure characteristic as function of flow



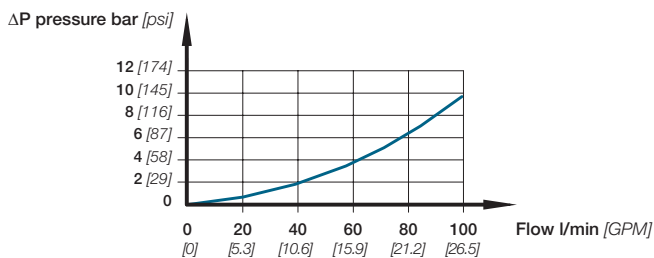
Pressure Drop



Performance Data
Pressure characteristic as function of flow



Pressure Drop



Diverter EDM10A

APPLICATIONS

EBI motion controls diverter valves are used to pilot remote of directional control valves, auxiliary valves, variable displacement pumps and motors, frictions and hydraulic brakes, all with high accuracy, safety and optimal performance.

EBI diverters are maintenance free and have a long life cycle and are suited for specialized applications for a variety of mobile equipment such as:

