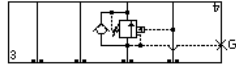
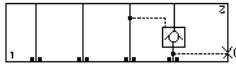


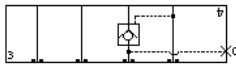
Counterbalance, On A, Pilot from B



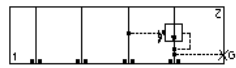
Counterbalance, On B, Pilot from A



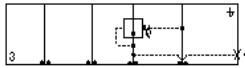
Pilot Operated Check, On A Pilot from B



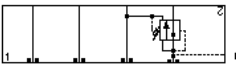
Pilot Operated Check, On B Pilot from A



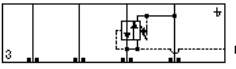
Reducing, On A drain to B



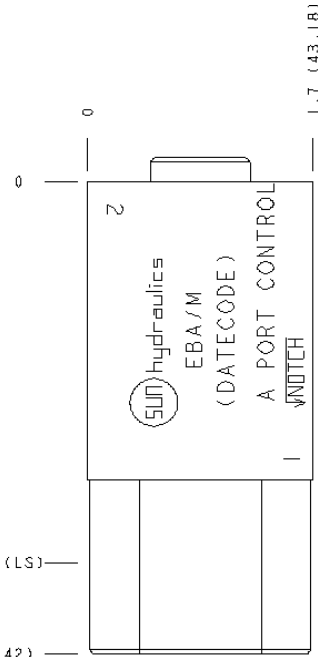
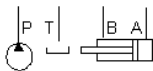
Reducing, On B drain to A



Reducing/Relieving, On A tank to B



Reducing/Relieving, On B tank to A



TECHNICAL DATA

Body Type	Sandwich
Interface	ISO 03
Body Features	On A or B, port 3 to opposite side
Stack Height	44,5 mm
Seal Plate Included (see notes)	Yes
Open Cavities	1
Cavity	T-11A
Port Size	1/4" NPTF
Model Weight	0.39 kg.

CONFIGURATION

/M Modifier 6061-T651 Aluminum, Metric, Buna-N

NOTES

- Stack height value in technical data table includes seal retainer plate.
- Customer to install locating pin according to functional orientation required.
- **Important:** Carefully consider the maximum system pressure. The pressure rating of the manifold is dependent on the manifold material, with the port type/size a secondary consideration. Manifolds constructed of aluminum are not rated for pressures higher than 3000 psi (210 bar), regardless of the port type/size specified.

PORT DESIGNATORS

Modifiers	Ports
EBA, /S, /V, /Y	Gage Port (Plugged): 1/4" NPTF;
EBA/M, /T, /W, /Z	Gage Port (Plugged): 1/4" BSPP;

INCLUDED COMPONENTS

Part	Description	Quantity
330-018-002	Plug	1
500-001-012	O-Ring	4
700-002	Seal Plate	1
811-001-006	Pin	1
850-004-250	Plug	1

CONFIGURATION OPTIONS
Model Code Example: EBA/M

MODIFIER

(/M)

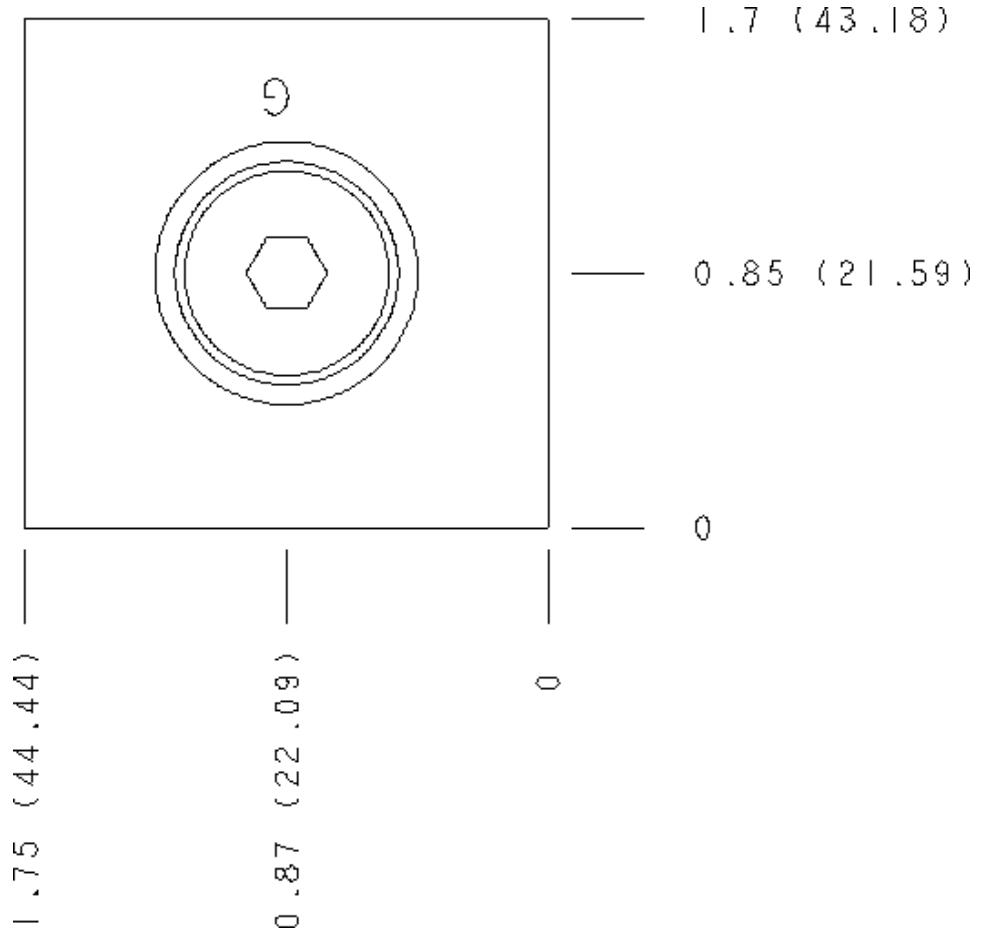
- /M** 6061-T651 Aluminum, Metric, Buna-N
- 6061-T651 Aluminum, Buna-N
- /S** 65-45-12 Ductile Iron, Buna-N, Blackened
- /T** 65-45-12 Ductile Iron, Metric, Buna-N, Blackened
- /V** 6061-T651 Aluminum, Viton
- /W** 65-45-12 Ductile Iron, Metric, Viton, Blackened
- /Y** 65-45-12 Ductile Iron, Viton, Blackened
- /Z** 6061-T651 Aluminum, Metric, Viton

MANIFOLD FACES

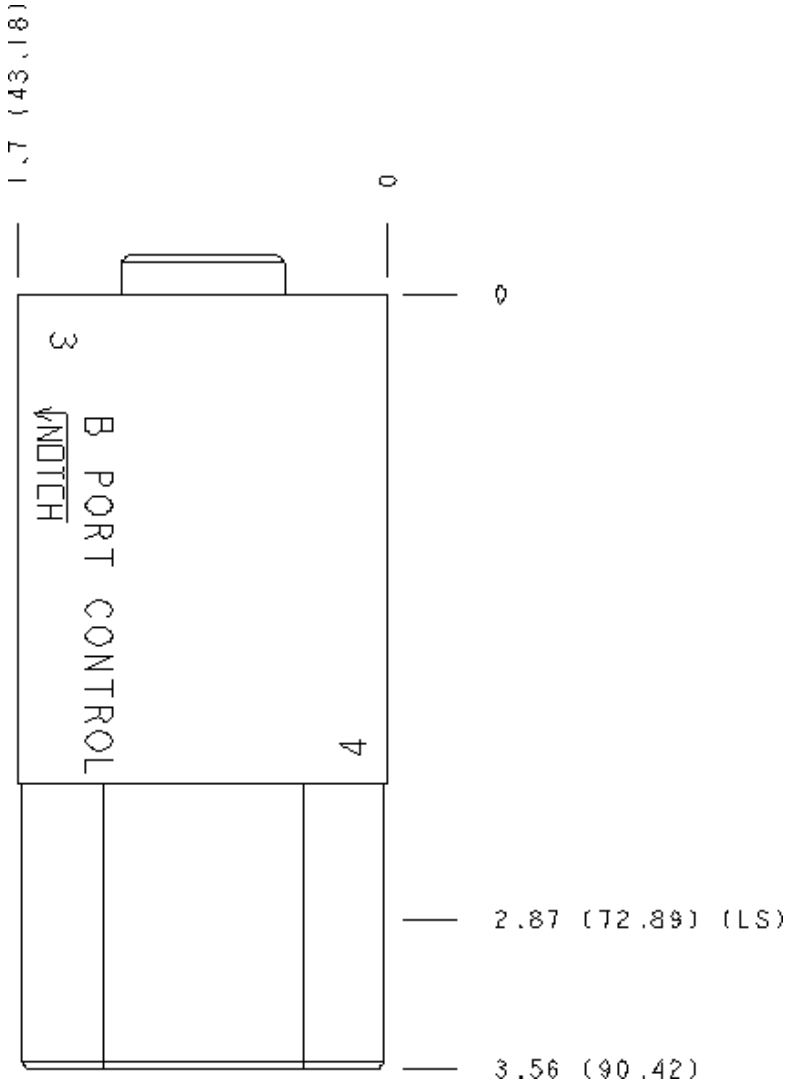
FACE GRID

1	2	3	4
5	6	7	8
9	10	11	12

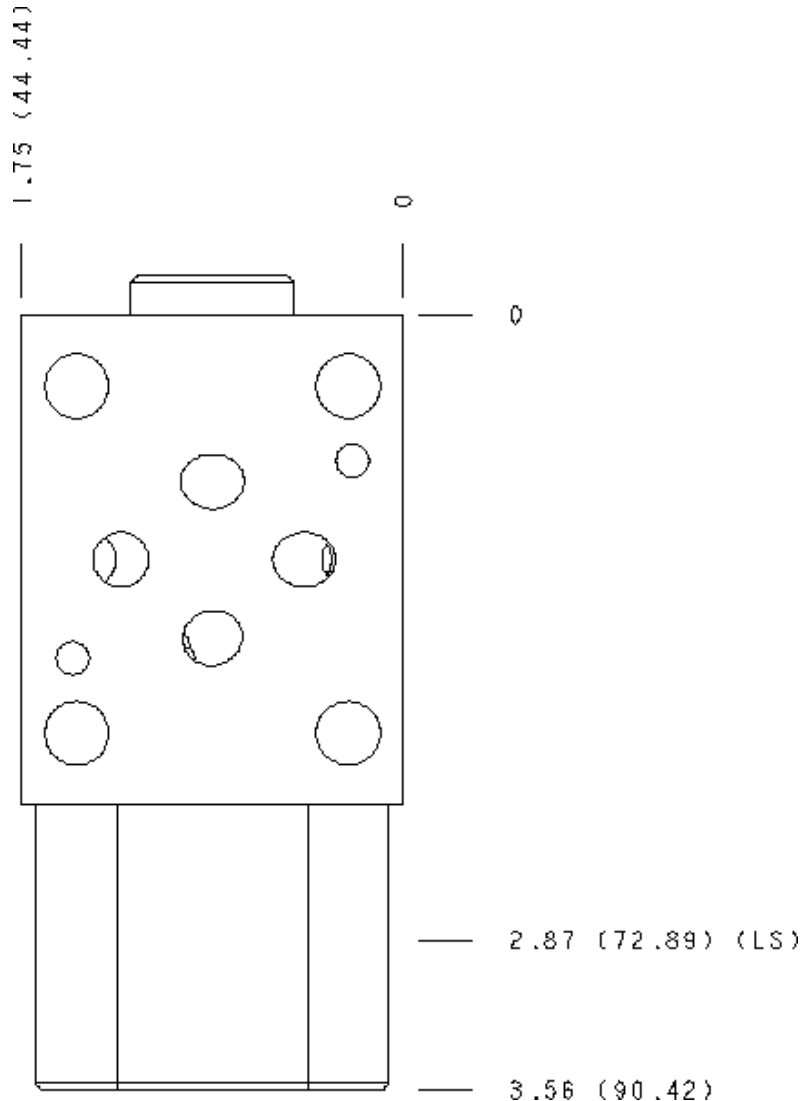
Face 2



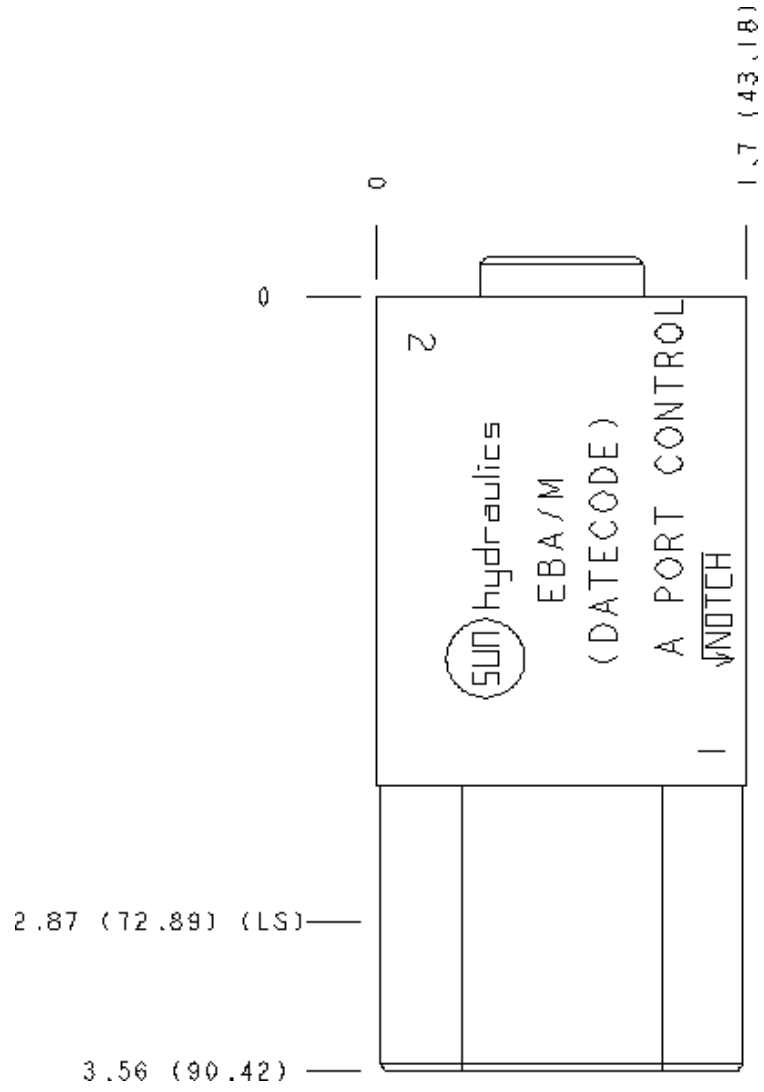
Face 5



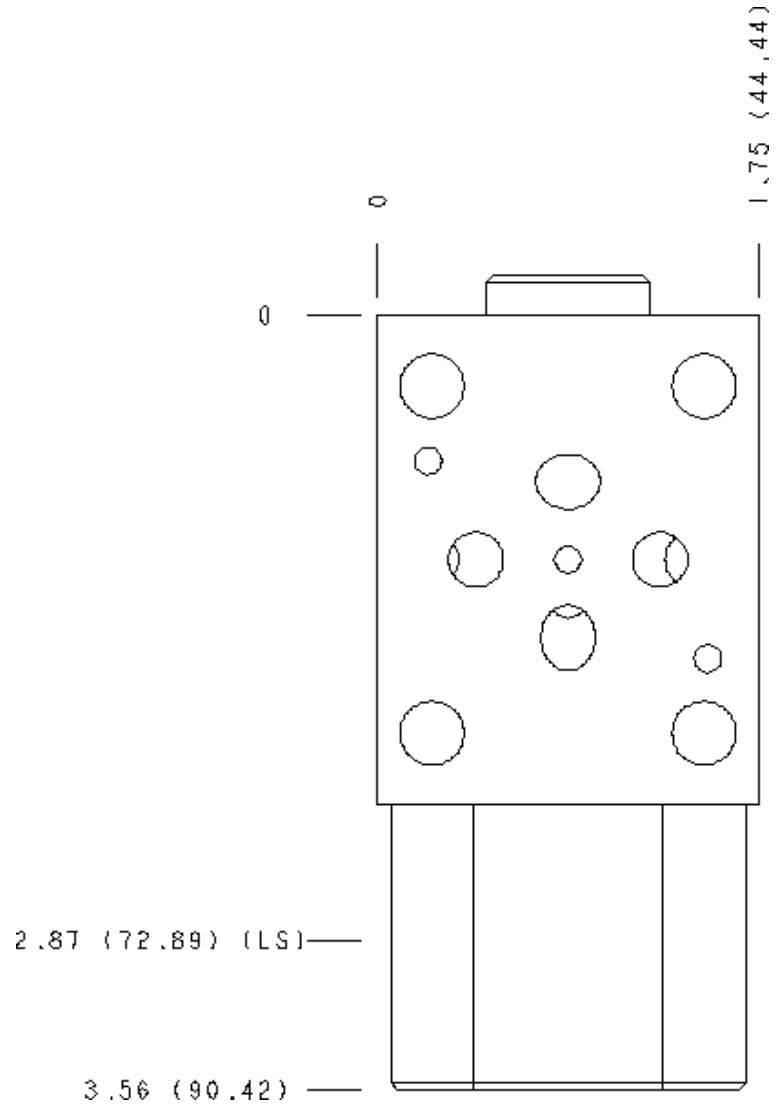
Face 6



Face 7



Face 8



Face 10

