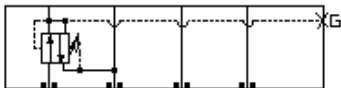
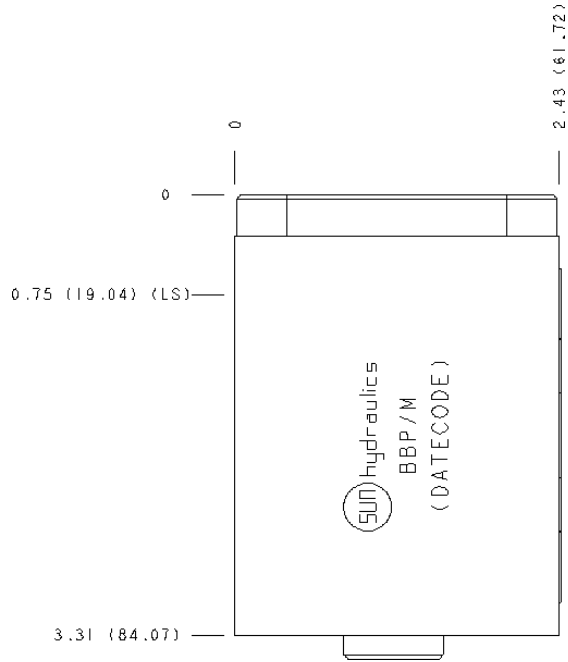
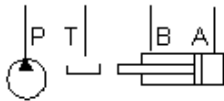


Reducing, On P, drain to T



Reducing/Relieving, On P tank to T



TECHNICAL DATA

Body Type	Sandwich
Interface	ISO 05
Body Features	On P, port 3 to T
Stack Height	62 mm
Open Cavities	1
Cavity	T-2A
Port Size	1/4" NPTF
Model Weight	0.73 kg.

CONFIGURATION

/M Modifier 6061-T651 Aluminum, Metric, Buna-N

NOTES

Important: Carefully consider the maximum system pressure. The pressure rating of the manifold is dependent on the manifold material, with the port type/size a secondary consideration. Manifolds constructed of aluminum are not rated for pressures higher than 3000 psi (210 bar), regardless of the port type/size specified.

PORT DESIGNATORS

Modifiers	Ports
BBP, /V	Gage Port (Plugged): 1/4" NPTF;
BBP/M, /Z	Gage Port (Plugged): 1/4" BSPP;

INCLUDED COMPONENTS

Part	Description	Quantity
330-018-002	Plug	1
500-001-014	O-Ring	5

CONFIGURATION OPTIONS
Model Code Example: BBP/M

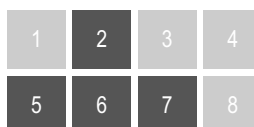
MODIFIER

(/M)

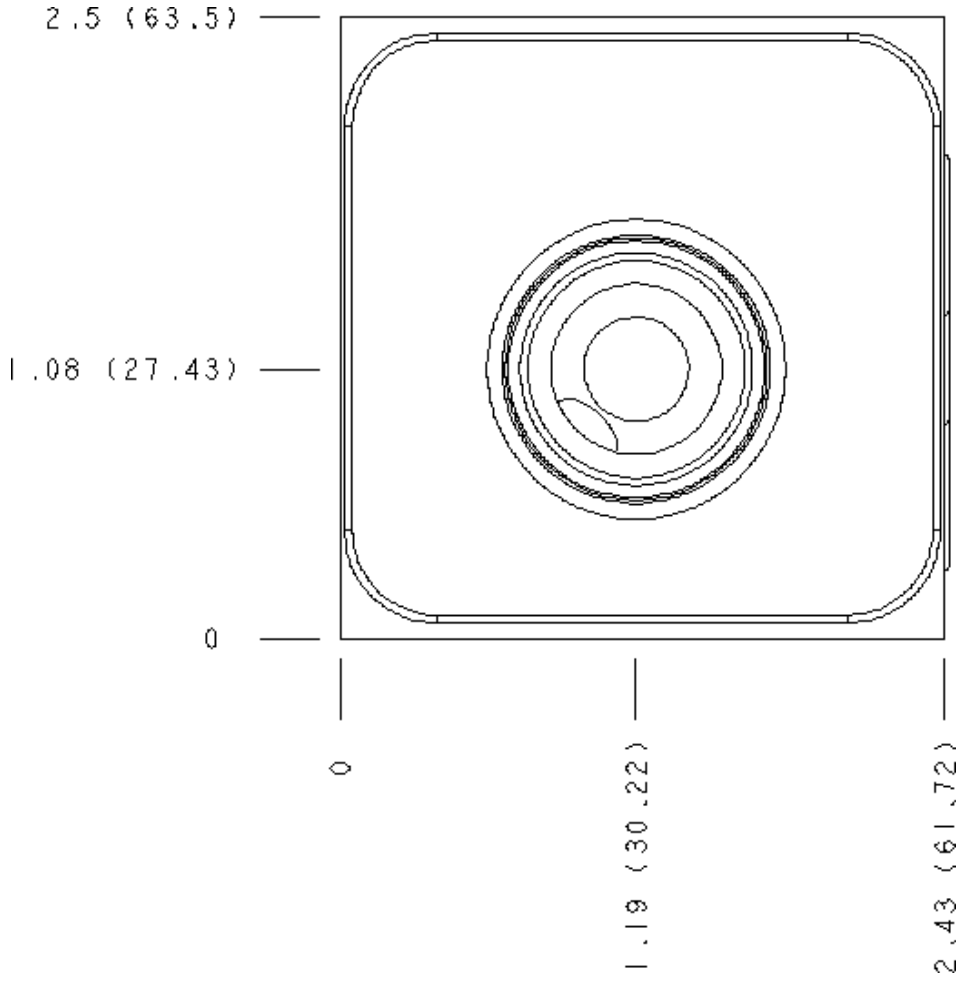
- /M** 6061-T651 Aluminum, Metric, Buna-N
- /S** 65-45-12 Ductile Iron, Buna-N, Blackened
- /T** 65-45-12 Ductile Iron, Metric, Buna-N, Blackened
- /V** 6061-T651 Aluminum, Viton
- /W** 65-45-12 Ductile Iron, Metric, Viton, Blackened
- /Y** 65-45-12 Ductile Iron, Viton, Blackened
- /Z** 6061-T651 Aluminum, Metric, Viton

MANIFOLD FACES

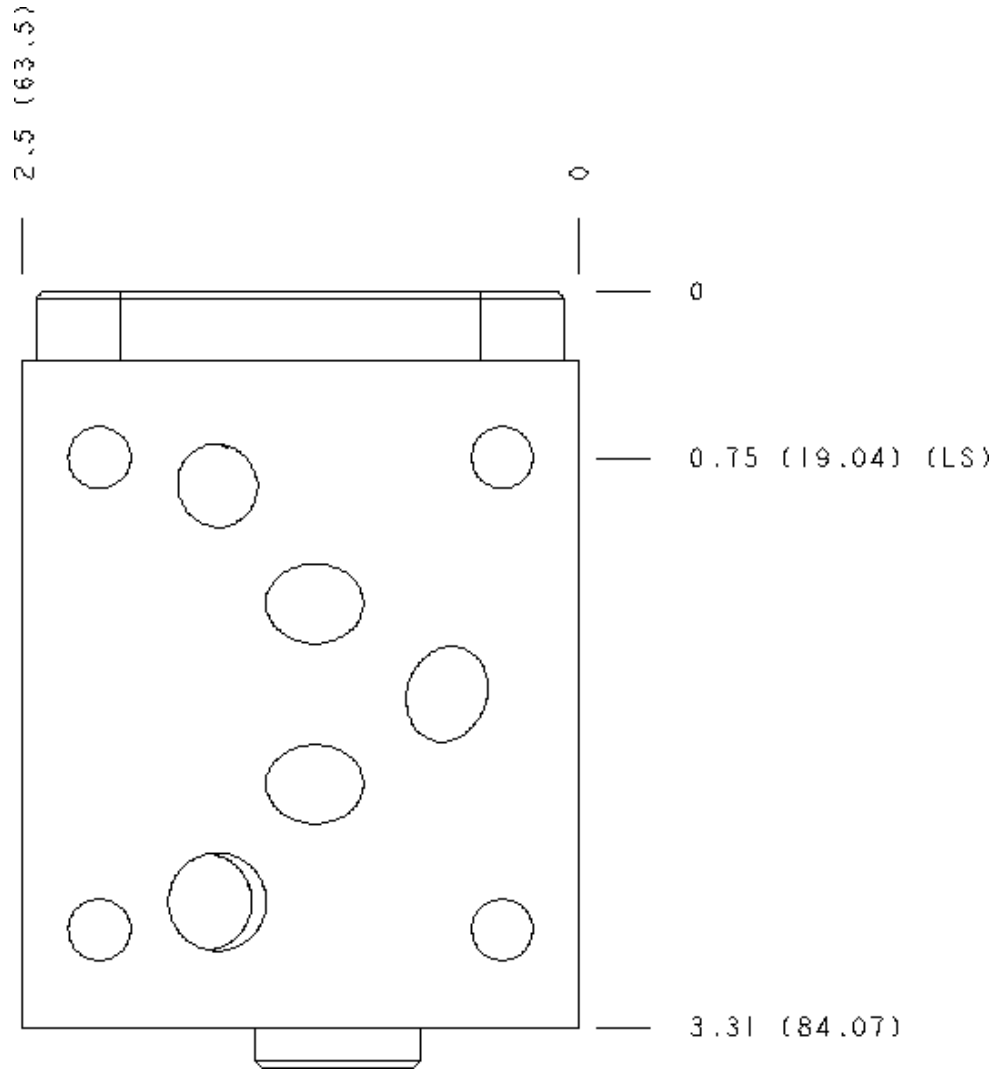
FACE GRID



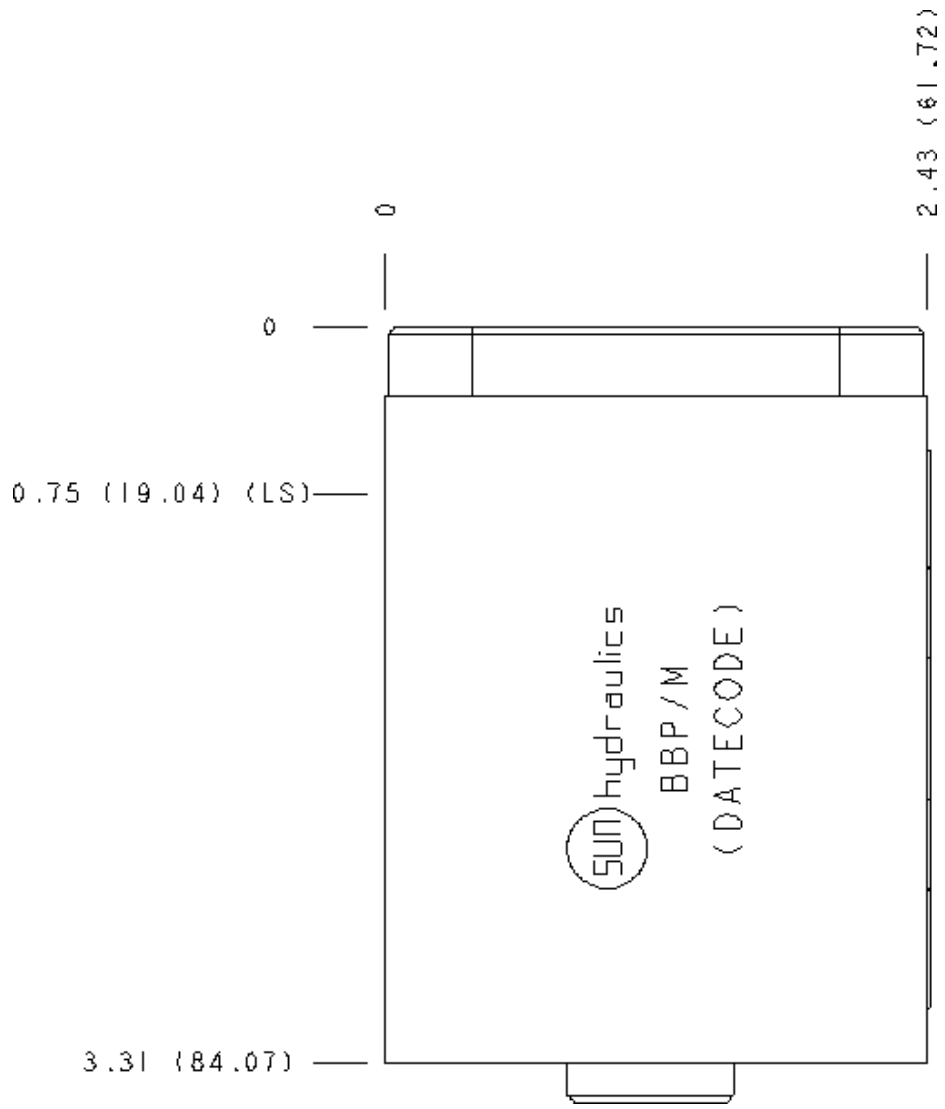
Face 2



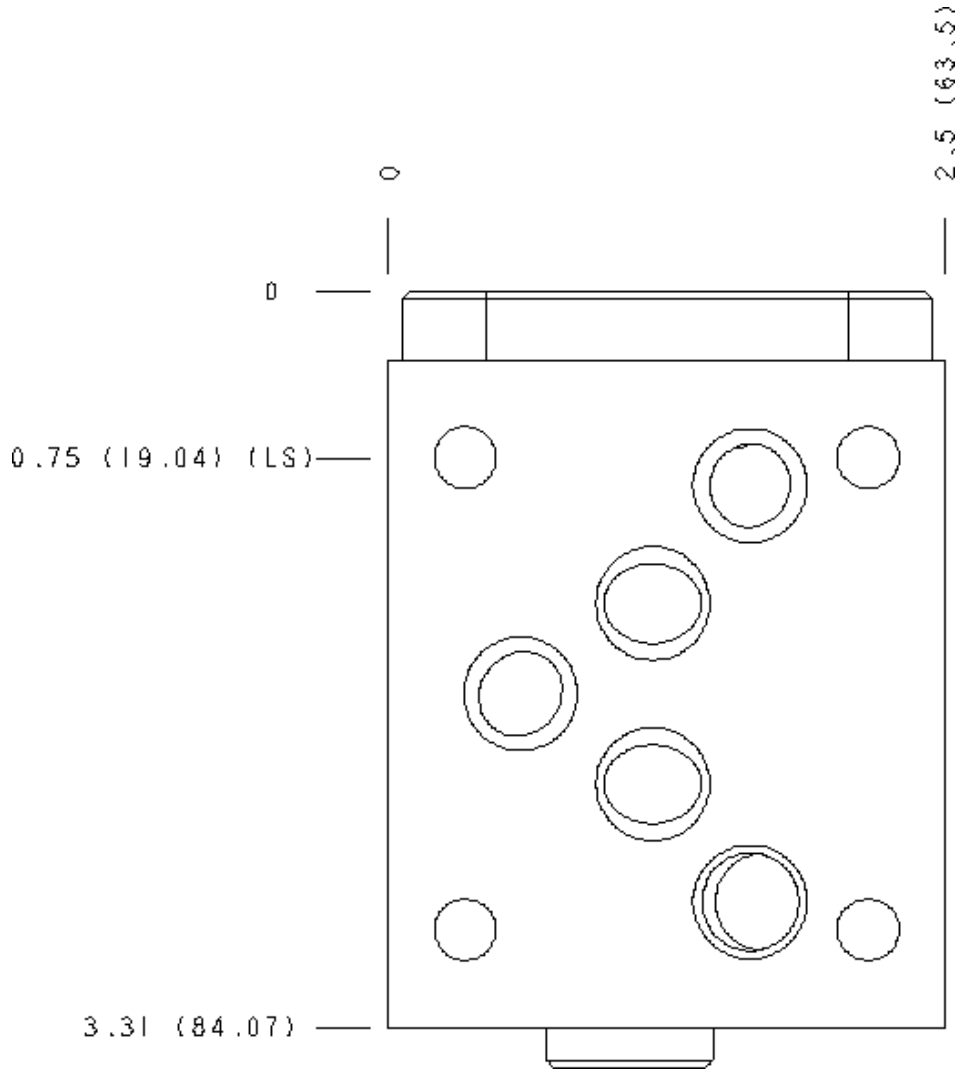
Face 5



Face 6



Face 7



Face 10

