

CONFIGURATION

/S Modifier 65-45-12 Ductile Iron, Buna-N, Blackened

TECHNICAL DATA

Body Type	Line mount
Interface	None
Body Features	Cushion lock with make up checks and shuttle
Mounting Hole Diameter	10,7 mm
Mounting Hole Depth	Through
Mounting Hole Quantity	2
Open Cavities	2
Cavity	T-2A
Port Size	3/4" BSPP
Model Weight	4.22 kg.

NOTES

Important: Carefully consider the maximum system pressure. The pressure rating of the manifold is dependent on the manifold material, with the port type/size a secondary consideration. Manifolds constructed of aluminum are not rated for pressures higher than 3000 psi (210 bar), regardless of the port type/size specified.

PORT DESIGNATORS

Modifiers	Ports
BQW, /V	Ports C1, C2, V1, V2: 3/4" BSPP; Port T: 3/4" BSPP; Port S: 1/4" BSPP;

INCLUDED COMPONENTS

Part	Description	Quantity
A330-006-004	SAE Plug	1
CSZNXXN	Cartridge	1
CXEDXAN	Cartridge	2
CXFAXAN	Cartridge	2

CONFIGURATION OPTIONS

Model Code Example: BQW/S

MODIFIER

(/S)

/S 65-45-12 Ductile Iron, Buna-N, Blackened

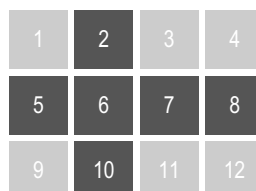
6061-T651 Aluminum, Buna-N

/V 6061-T651 Aluminum, Viton

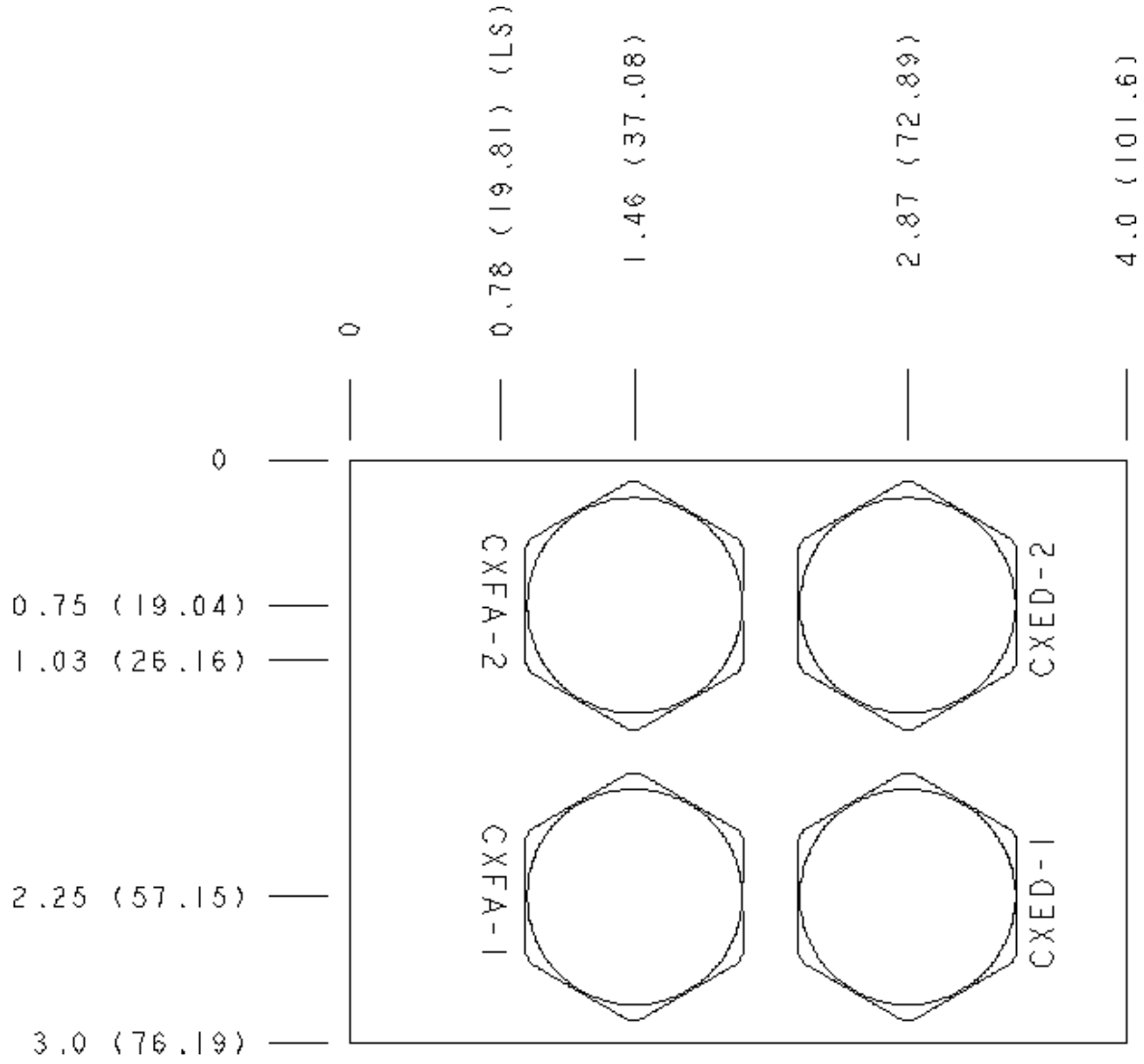
/Y 65-45-12 Ductile Iron, Viton, Blackened

MANIFOLD FACES

FACE GRID



Face 2



Face 5

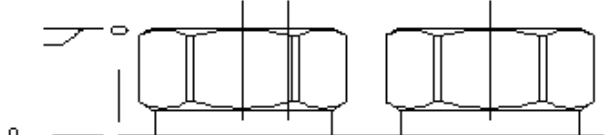
0.75 (19.04)

1.03 (26.16)

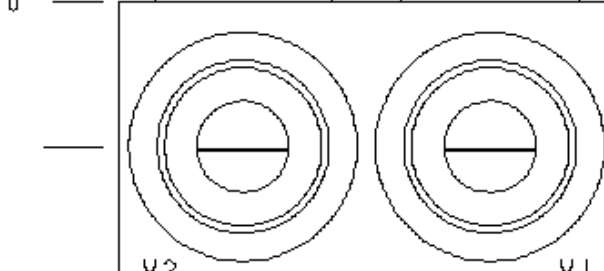
2.25 (57.15)

3.0 (76.19)

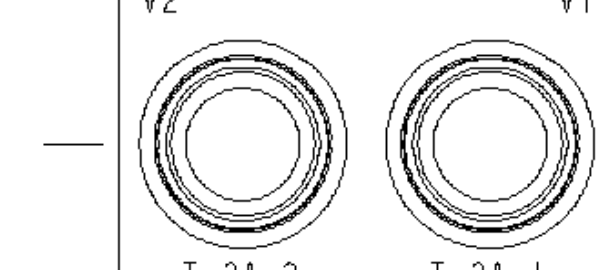
8.85 (18.58)



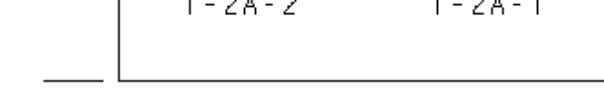
0.87 (22.09)



2.5 (63.5)



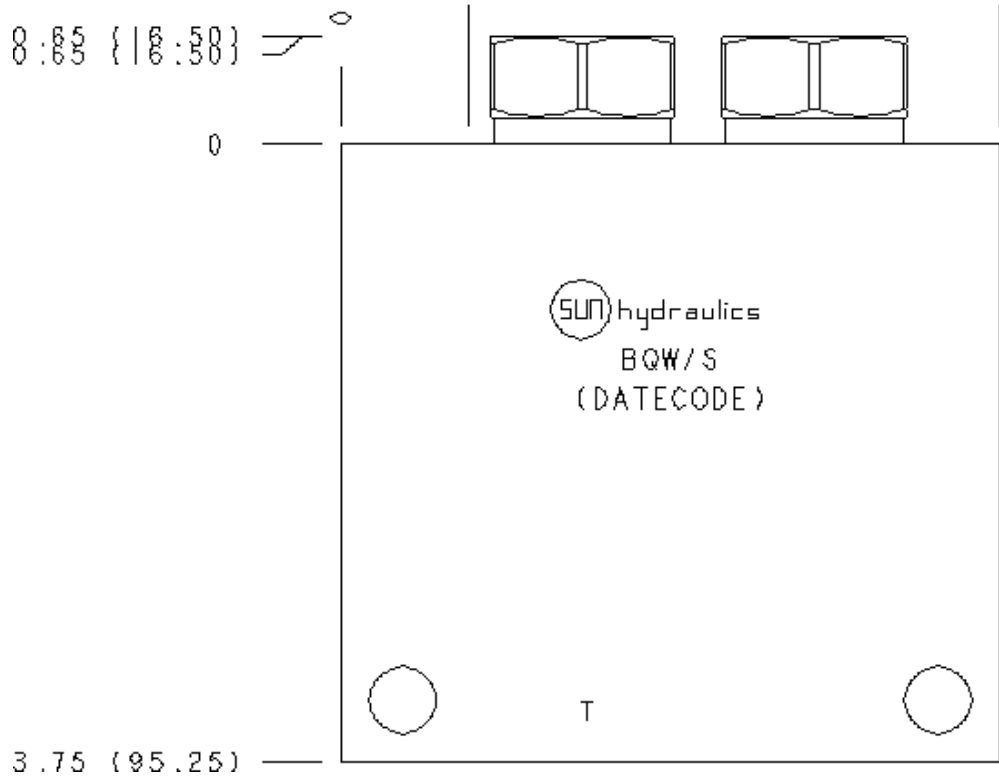
3.75 (95.25)



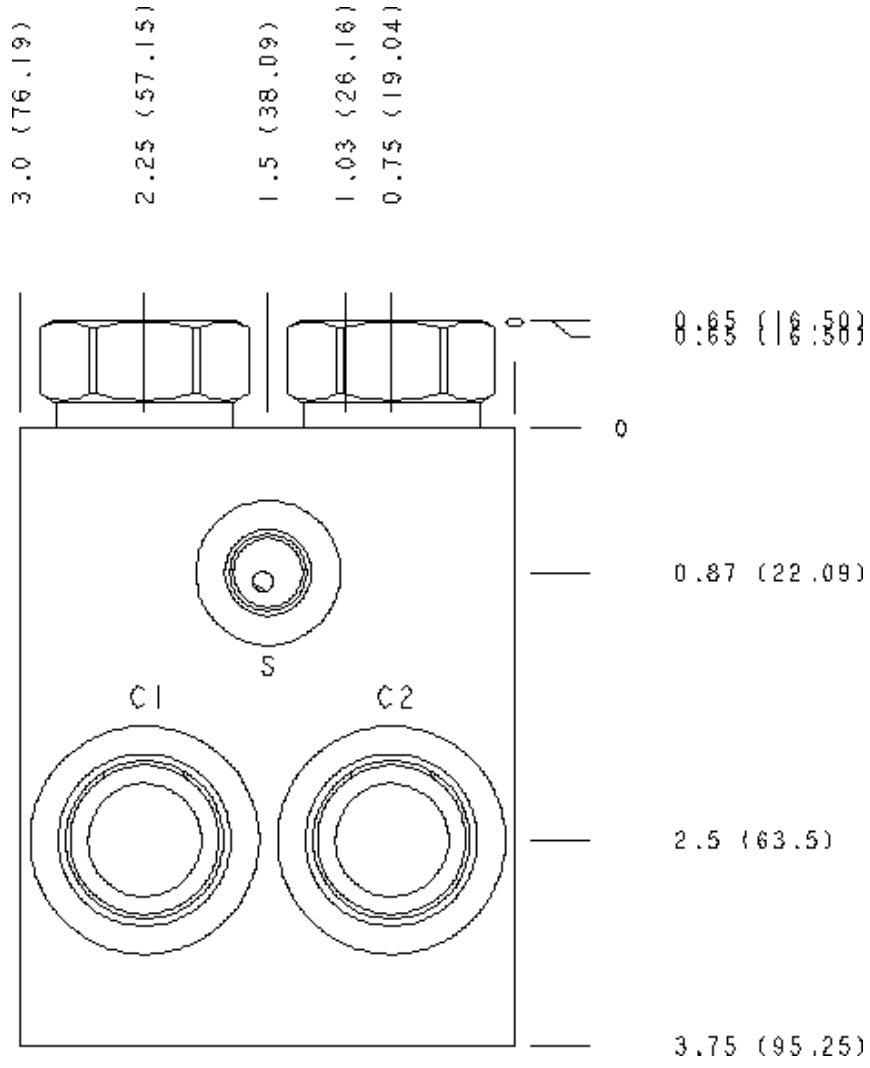
Face 6

0.78 (19.81)

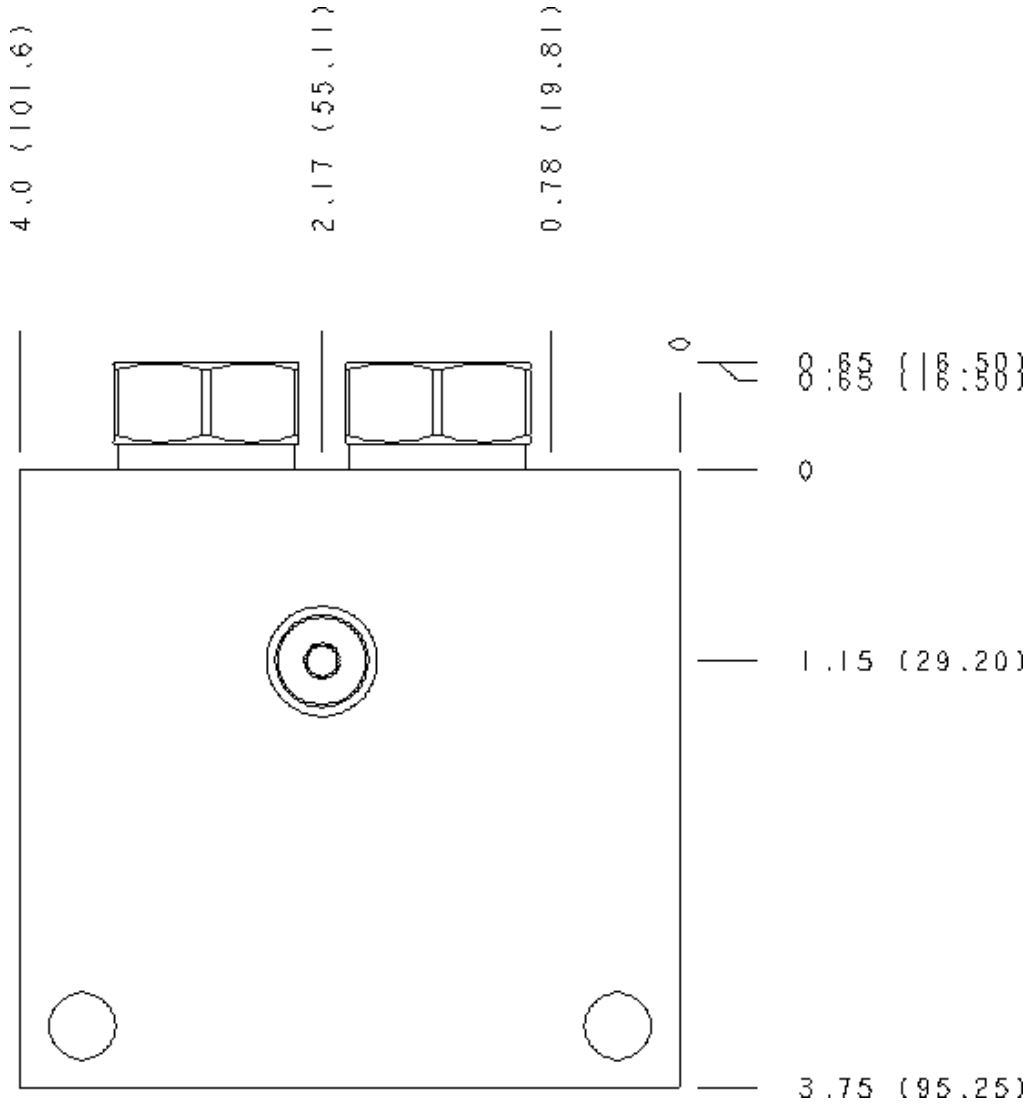
4.0 (101.6)



Face 7



Face 8



Face 10

