

CONFIGURATION

/S Modifier 65-45-12 Ductile Iron, Buna-N, Blackened

TECHNICAL DATA

Body Type	Line mount
Interface	None
Body Features	Ninety degree
Mounting Hole Diameter	10,7 mm
Mounting Hole Depth	Through
Mounting Hole Quantity	1
Open Cavities	1
Cavity	T-5A
Port Size	1/2" BSPP
Model Weight	0.66 kg.

NOTES

Important: Carefully consider the maximum system pressure. The pressure rating of the manifold is dependent on the manifold material, with the port type/size a secondary consideration. Manifolds constructed of aluminum are not rated for pressures higher than 3000 psi (210 bar), regardless of the port type/size specified.

PORT DESIGNATORS

Modifiers	Ports
DAV, /S	All Ports: 1/2" BSPP;

CONFIGURATION OPTIONS

Model Code Example: DAV/S

MODIFIER (S)

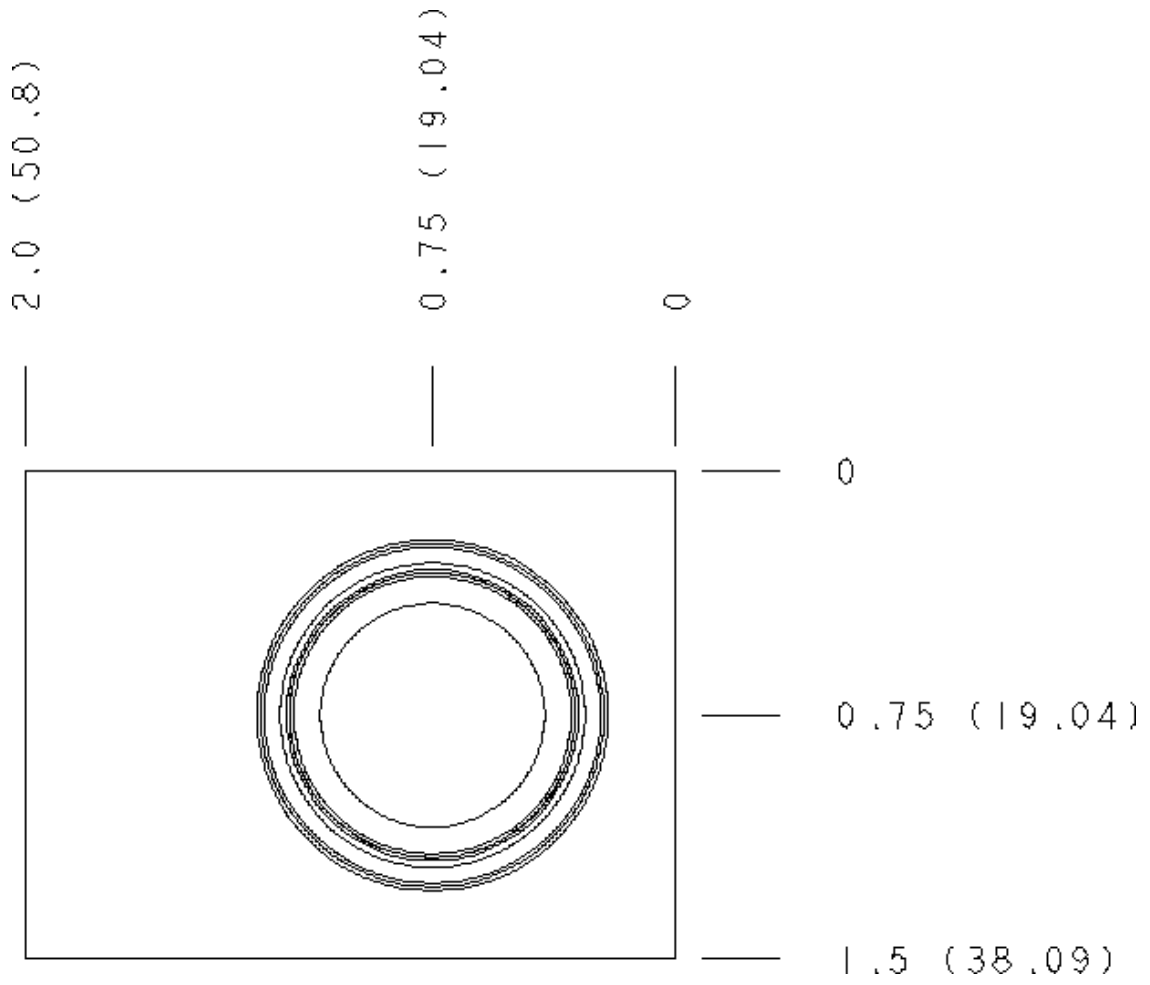
/S 65-45-12 Ductile Iron, Buna-N, Blackened
6061-T651 Aluminum, Buna-N

MANIFOLD FACES

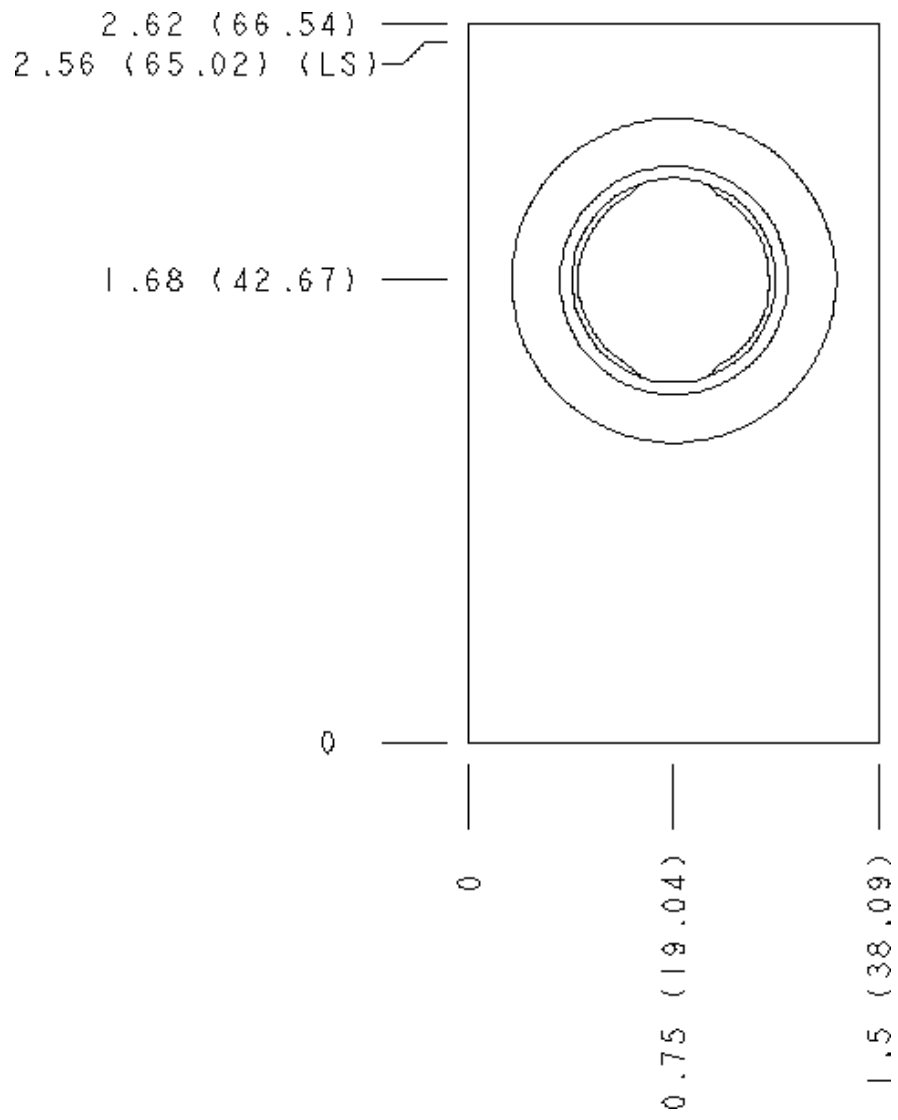
FACE GRID

1	2	3	4
5	6	7	8
9	10	11	12

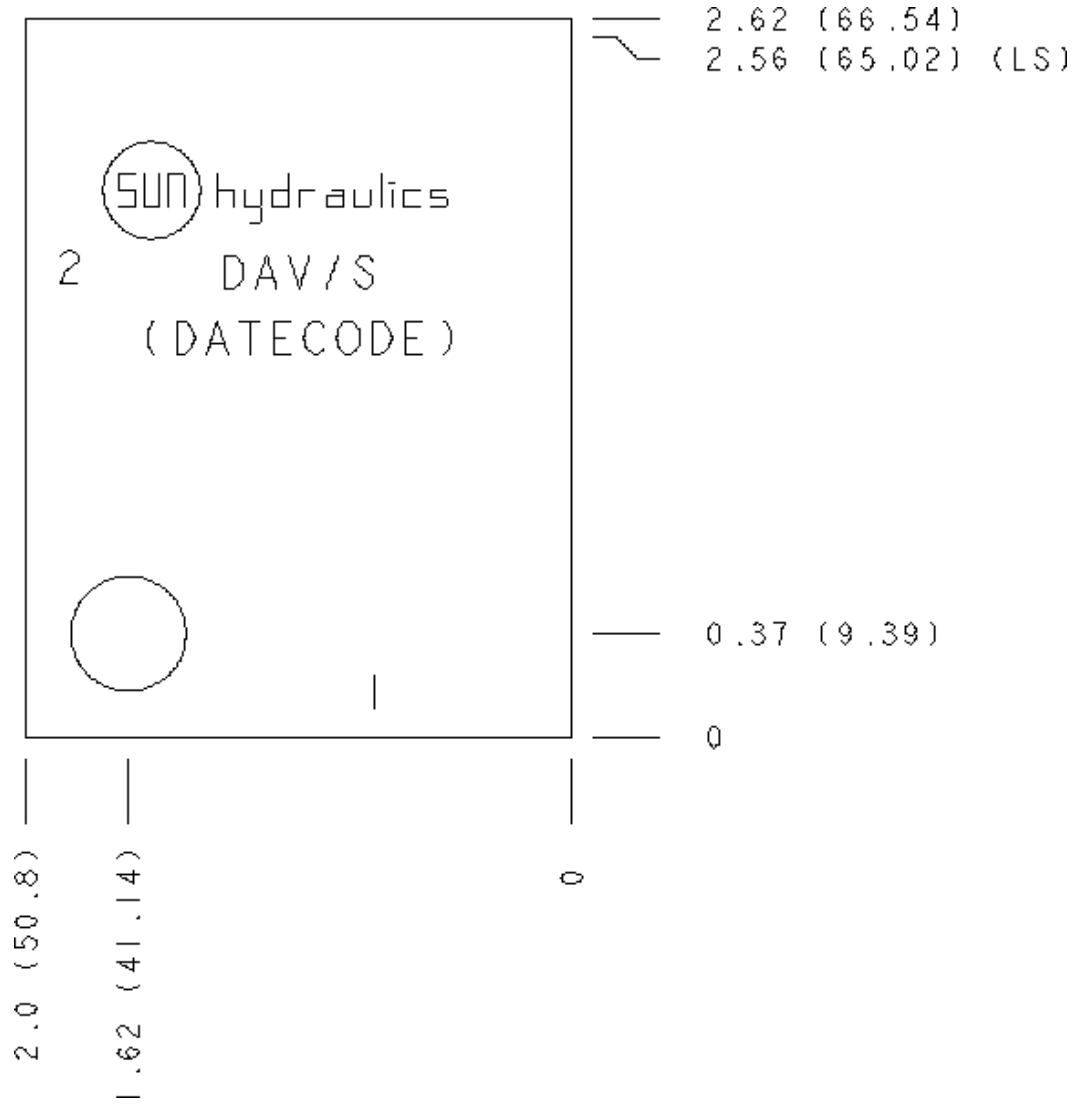
Face 2



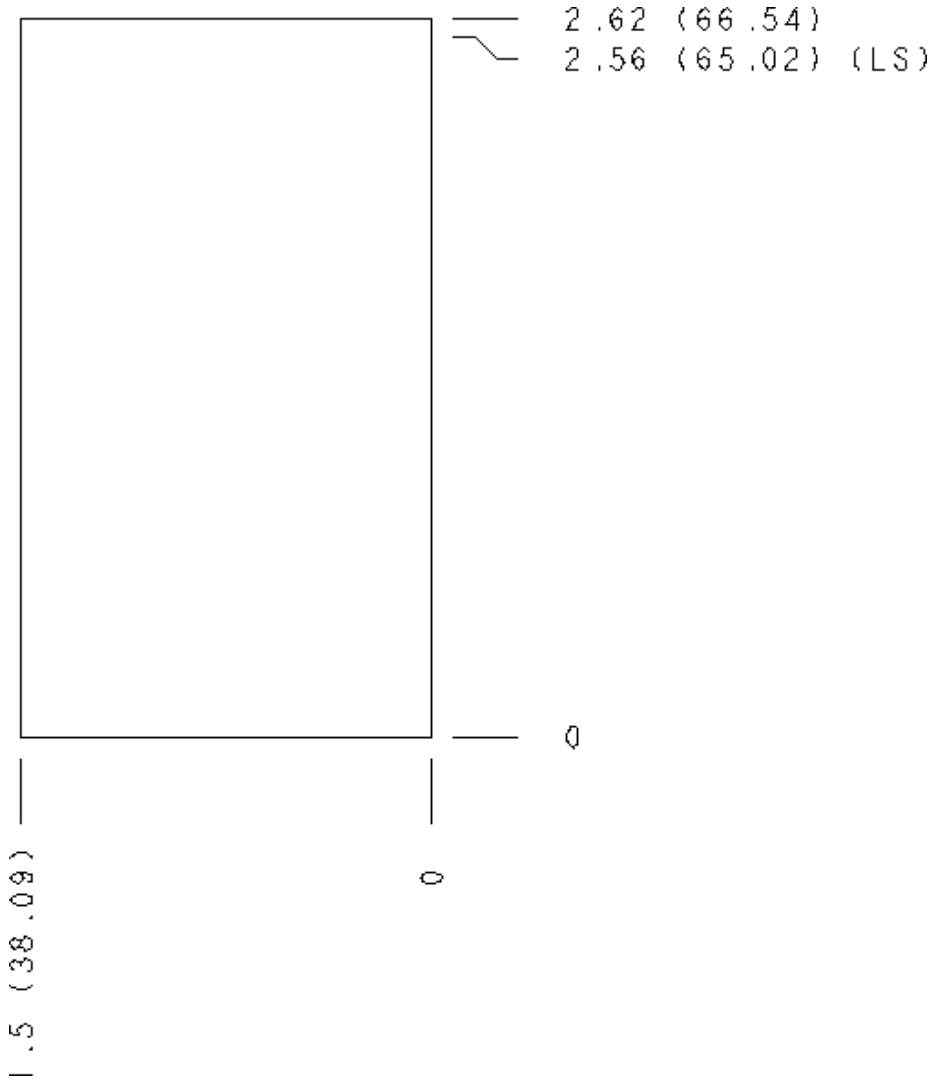
Face 5



Face 6

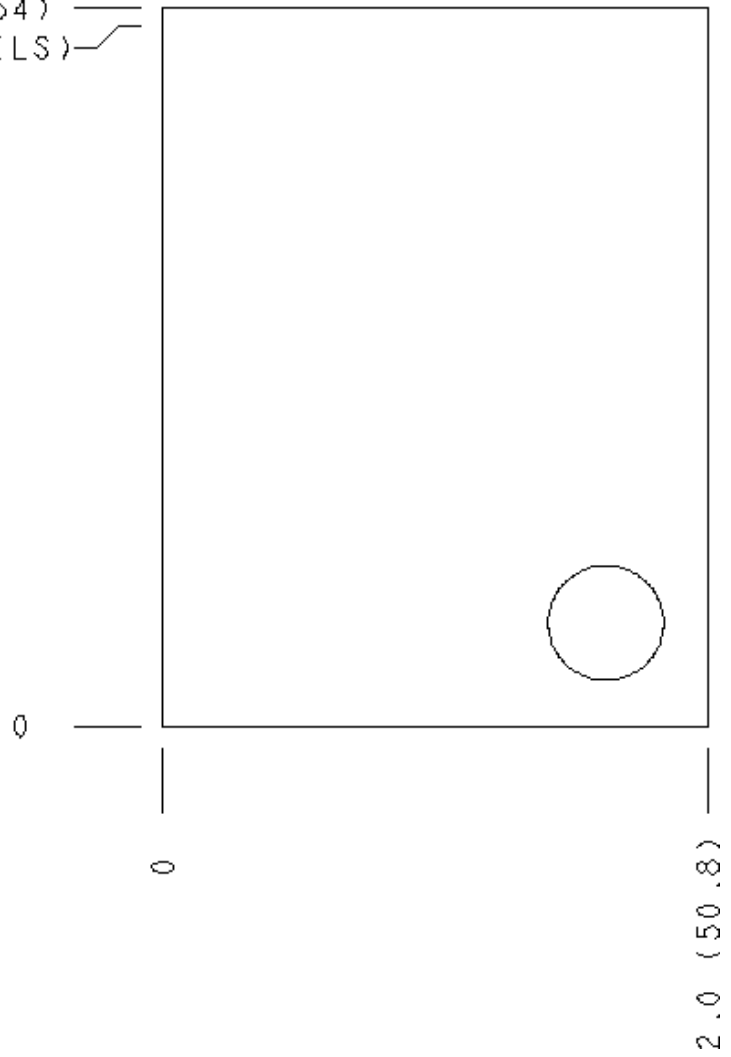


Face 7



Face 8

2.62 (66.54)
2.56 (65.02) (LS)



Face 10

