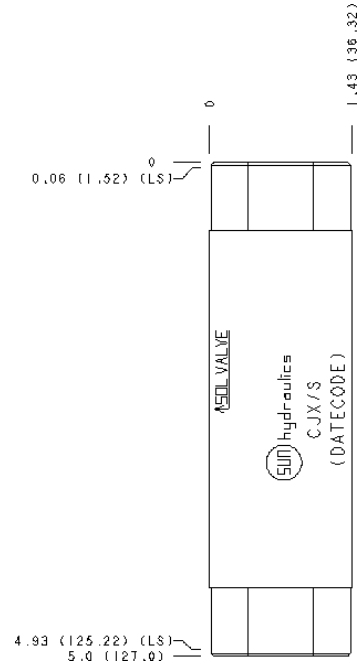
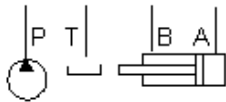


Relief, A and B to T, High Capacity



## CONFIGURATION

**/S** Modifier 65-45-12 Ductile Iron, Buna-N, Blackened

## TECHNICAL DATA

Body Type	Sandwich
Interface	ISO 05 - X&Y
Body Features	A and B to T
Stack Height	38 mm
Open Cavities	2
Cavity	T-3A
Model Weight	1.49 kg.

## NOTES

- Stack height value in technical data table includes seal retainer plate.
- This installation requires a retainer and seal kit which are purchased separately. See "Related Accessories" section.
- Important:** Carefully consider the maximum system pressure. The pressure rating of the manifold is dependent on the manifold material, with the port type/size a secondary consideration. Manifolds constructed of aluminum are not rated for pressures higher than 3000 psi (210 bar), regardless of the port type/size specified.

## CONFIGURATION OPTIONS

Model Code Example: **CJX/S**

MODIFIER (S)

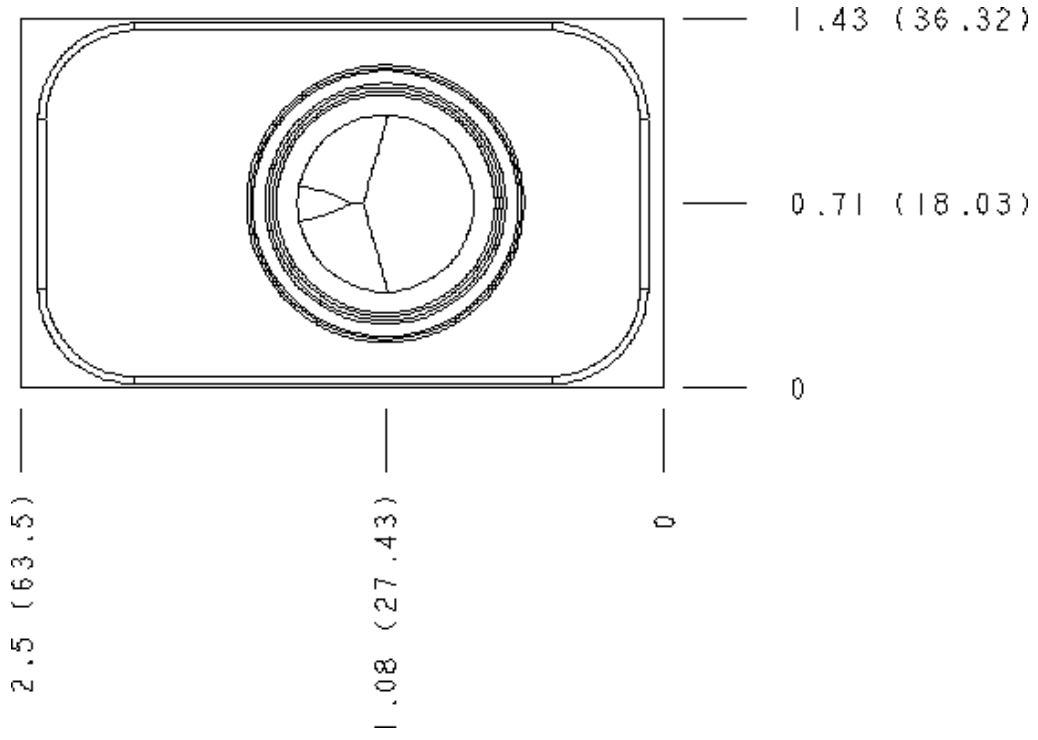
**/S** 65-45-12 Ductile Iron, Buna-N, Blackened  
6061-T651 Aluminum, Buna-N

## MANIFOLD FACES

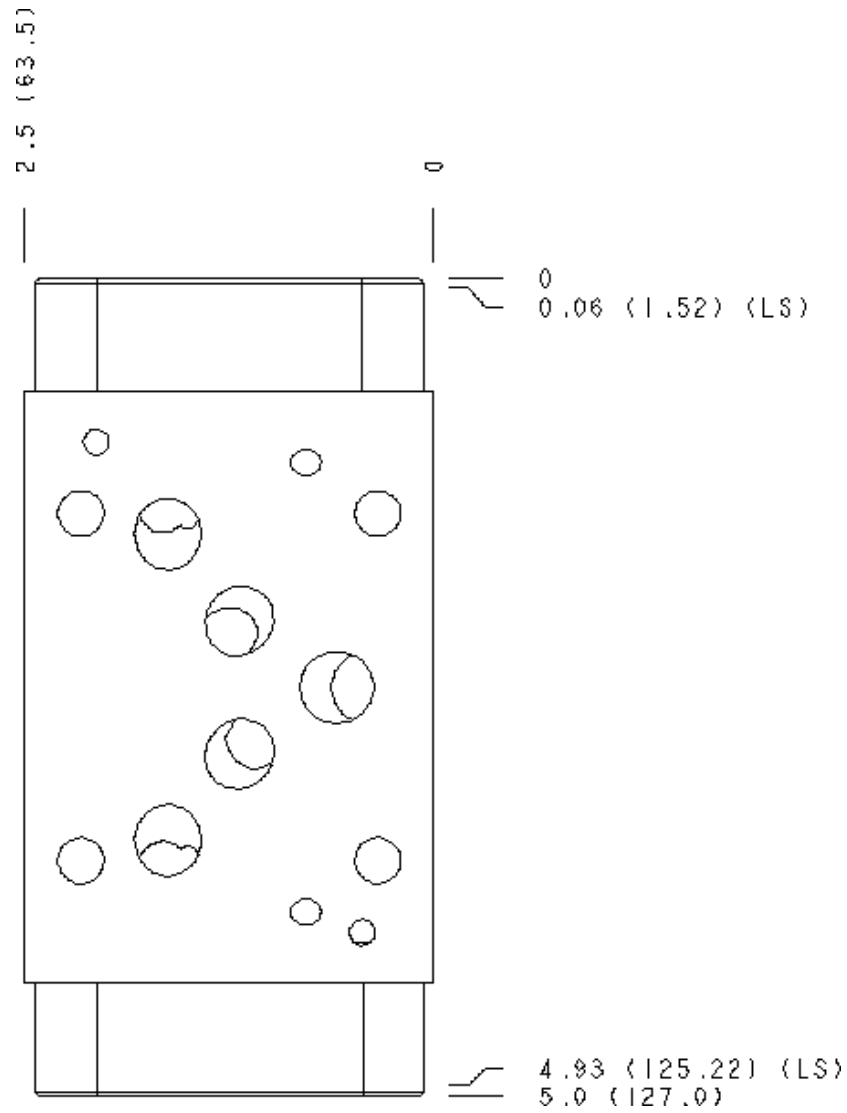
### FACE GRID

1	2	3	4
5	6	7	8
9	10	11	12

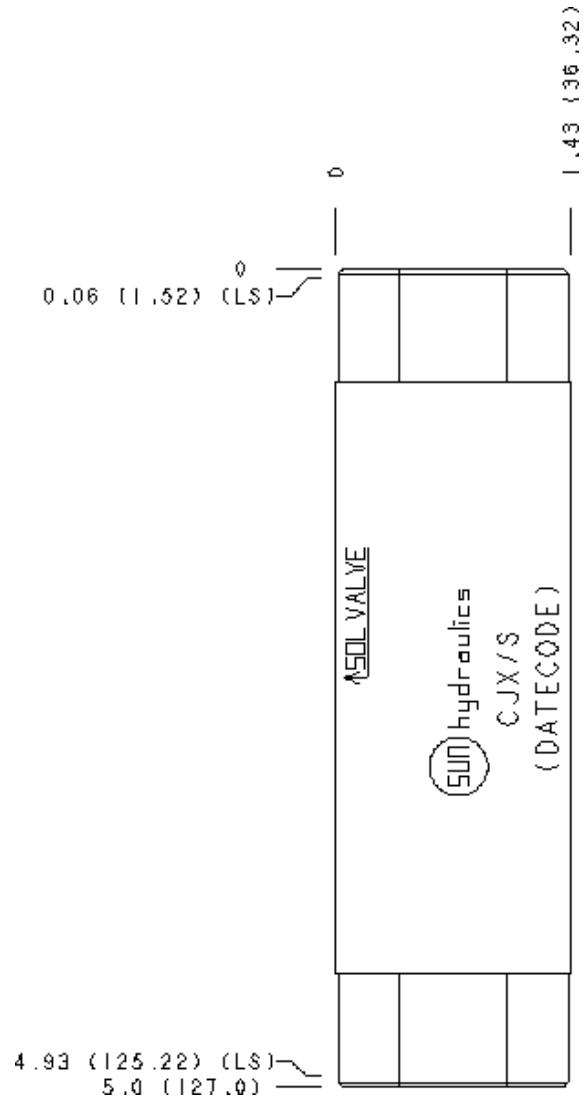
Face 2



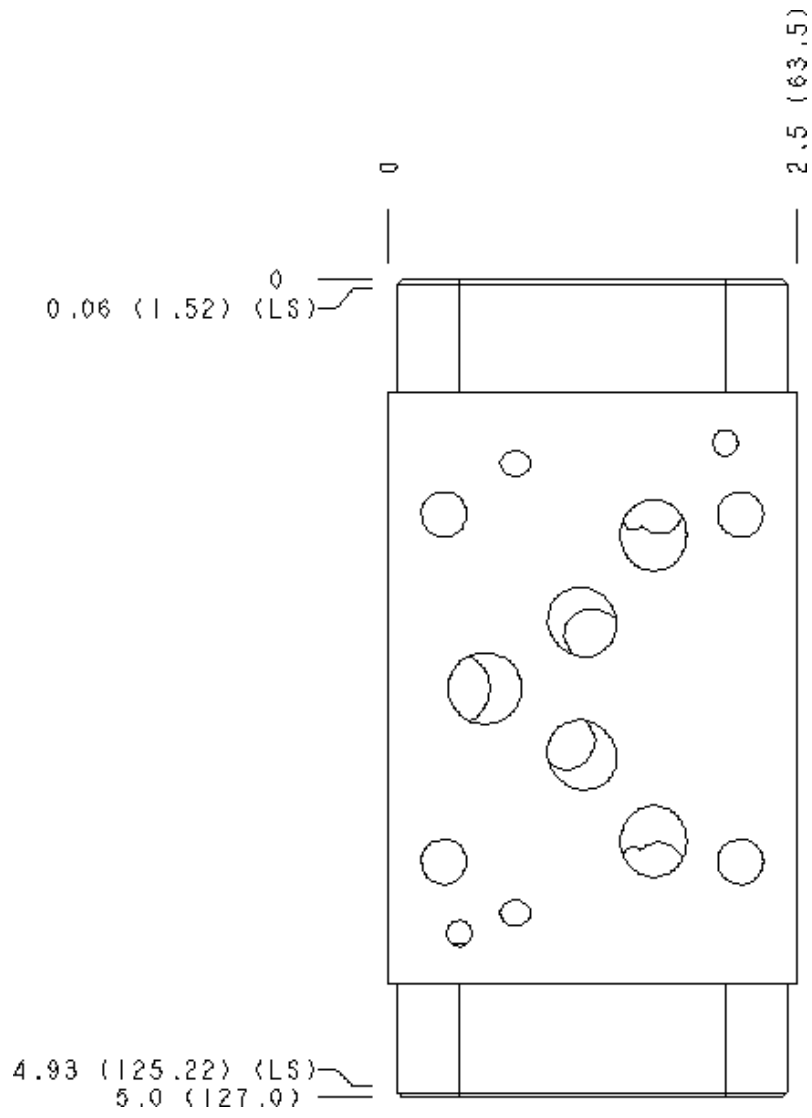
Face 6



Face 7



### Face 8



### Face 10

