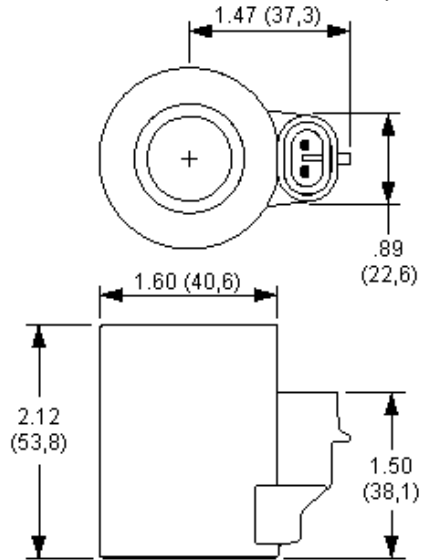


DC COIL



** An additional Weatherization Kit is required. See "Used With" tab below.

** Ein zusätzlicher "Wetterfest-Umbausatz" wird benötigt. Siehe "Used With" in der Tabelle unten.

** Un Kit additionnel d'Etanchéité est requis Voir ci-dessous l'onglet "Utilisé Avec"

** 需要单独的防风雨套件 见 "适用于" 列表

This weatherized coil is designed for Sun's full flow switching and electro-proportional cartridges with anticipated exposure to system wash-down or marine environments. This coil is only available with the Metri-Pack Series 150-2M connector along with a choice of (5) voltages; 12 VDC, 14 VDC, 24 VDC, 28 VDC and 36 VDC. The installation of this coil requires an additional weatherization kit and modification to Sun's cavity and is intended for new applications.

Please note: Manual override functionality is not compatible with weatherized coils.

TECHNICAL DATA

Maximum Coil Temperature at 68°F (20°C) Ambient	218°F (105°C)
Arc Suppression (TVS)	Included
Power Consumption (cold) - at rated voltage	22 watts
Maximum Ambient Temperature	50 °C
Voltage/Frequency	28 VDC
Duty Cycle Rating	100 %
Connector	Metripack Series 150-2M
Connector Environment Rating	IP69K
Solenoid Tube Diameter	19 mm
Coil Nut Torque	0,5 Nm
Model Weight	0.23 kg.

NOTES Installation instructions for the weatherized coil and kit are provided on the applicable weatherization kit product page. Please review carefully.

USED WITH

DAAL	DAALS	DBAL	DBALS	DFCA	DFCB	DLDA	DLDAS	DMDA	DMDAS
DNCA	DNDA	DNDAS	DNDC	DNDY	DTCA	DTDA	DTDAS	DWDA	FMDA
FMDB	FPCC	FPCH	PRDL	PRDM	PRDN	PRDP	RBAN	RBAP	991055
991056	991057	991058	991059	991060					

TECHNICAL FEATURES

- Weatherized coils are available in kit form only and cannot be configured with the cartridge.
- An additional weatherization kit is required with this coil. Weatherization kits are cartridge-model dependent. See the "Used With" tab.
- Power cable with mating connector is required and is not included with product.
- Coil windings utilize Class N, (392° F [200 °C] rated) magnet wire.
- A TVS surge suppression diode is built into DC coils. Nominal breakdown voltage: 68V. Model code 1.5 KE68CA Steady state power dissipation @ 75°C is 6.5 W and peak pulse dissipation is 1500 W for 1 ms, nonrepetitive.
- The Metri-Pack, Series 150-2M connector satisfies the requirements of thermal shock tests. In this test, the coil is energized to achieve its stabilized temperature and then immediately immersed into ice cold water. This process is repeated 5 times, after which, the insulation resistance of the coils should not fall below 10 megaohms.
- Weatherized coil diameter is 4 mm larger than standard 770 series coil.
- IP rating is dependent on the coil connector and the mating connector used.
- Constructed of an external steel frame, encapsulated with Dupont 77G33L or engineering approved equivalent for weatherization.
- This weatherized coil is rated for IP69K and 1000 hours of salt spray.
- RoHS compliant. Restricted materials less than 0.1% total by weight.