

TECHNICAL DATA

Body Type	Gasket mount
Interface	Sun
Body Features	Inline, Direct mount, cross pilot, 2 gasket ports
Mounting Hole Diameter	.42 in.
Mounting Hole Depth	Through
Mounting Hole C'bore Diameter	.59 in.
Mounting Hole Quantity	3
Open Cavities	2
Cavity	T-11A
Port Size	1/4" BSPP
Model Weight	1.18 lb.

NOTES *Important:* Carefully consider the maximum system pressure. The pressure rating of the manifold is dependent on the manifold material, with the port type/size a secondary consideration. Manifolds constructed of aluminum are not rated for pressures higher than 3000 psi (210 bar), regardless of the port type/size specified.

PORT DESIGNATORS

Modifiers	Ports
XVP, /10, /11, /15, /16, /S, /S3, /N, /Y, /Y3	Ports V1 & V2: 1/4" BSPP;

INCLUDED COMPONENTS

Part	Description	Quantity
500-001-113	O-Ring	2

CONFIGURATION OPTIONS

Model Code Example: XVP

MODIFIER

6061-T651 Aluminum, Buna-N

/11 6061-T651 Aluminum, Buna-N, Clear Anodize - Per MIL SPEC 8625F Type II, Class I

/10 6061-T651 Aluminum, Buna-N, Black Anodize - Per MIL SPEC 8625F Type II, Class II

/N 6061-T651 Aluminum, Viton

/16 6061-T651 Aluminum, Viton, Clear Anodize - Per MIL SPEC 8625F Type II, Class I

/15 6061-T651 Aluminum, Viton, Black Anodize - Per MIL SPEC 8625F Type II, Class II

/S 65-45-12 Ductile Iron, Buna-N, Chem. Black

/S3 65-45-12 Ductile Iron, Buna-N, Trivalent Clear Zinc with Top Sealer

/Y 65-45-12 Ductile Iron, Viton, Chem. Black

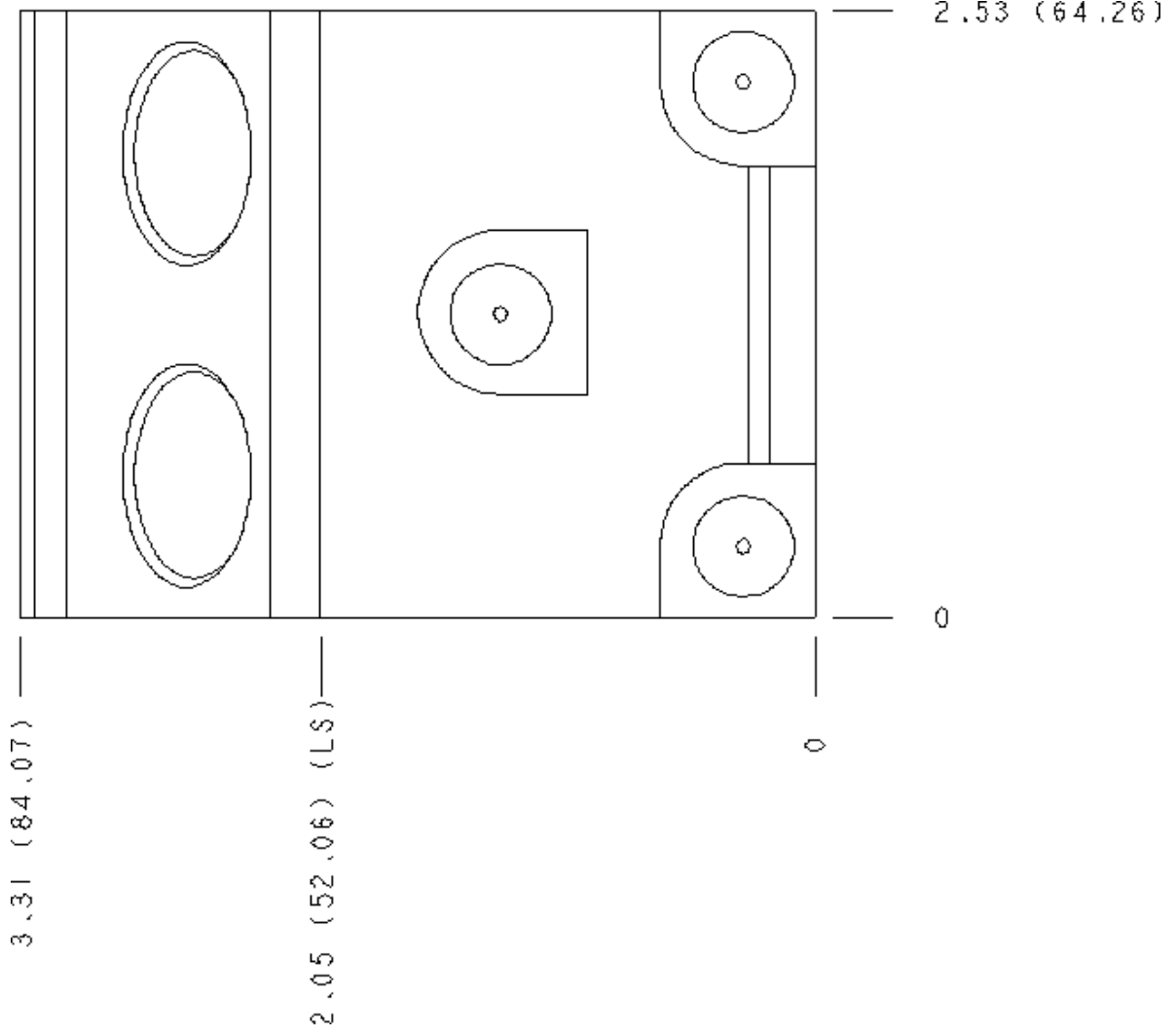
/Y3 65-45-12 Ductile Iron, Viton, Trivalent Clear Zinc with Top Sealer

MANIFOLD FACES

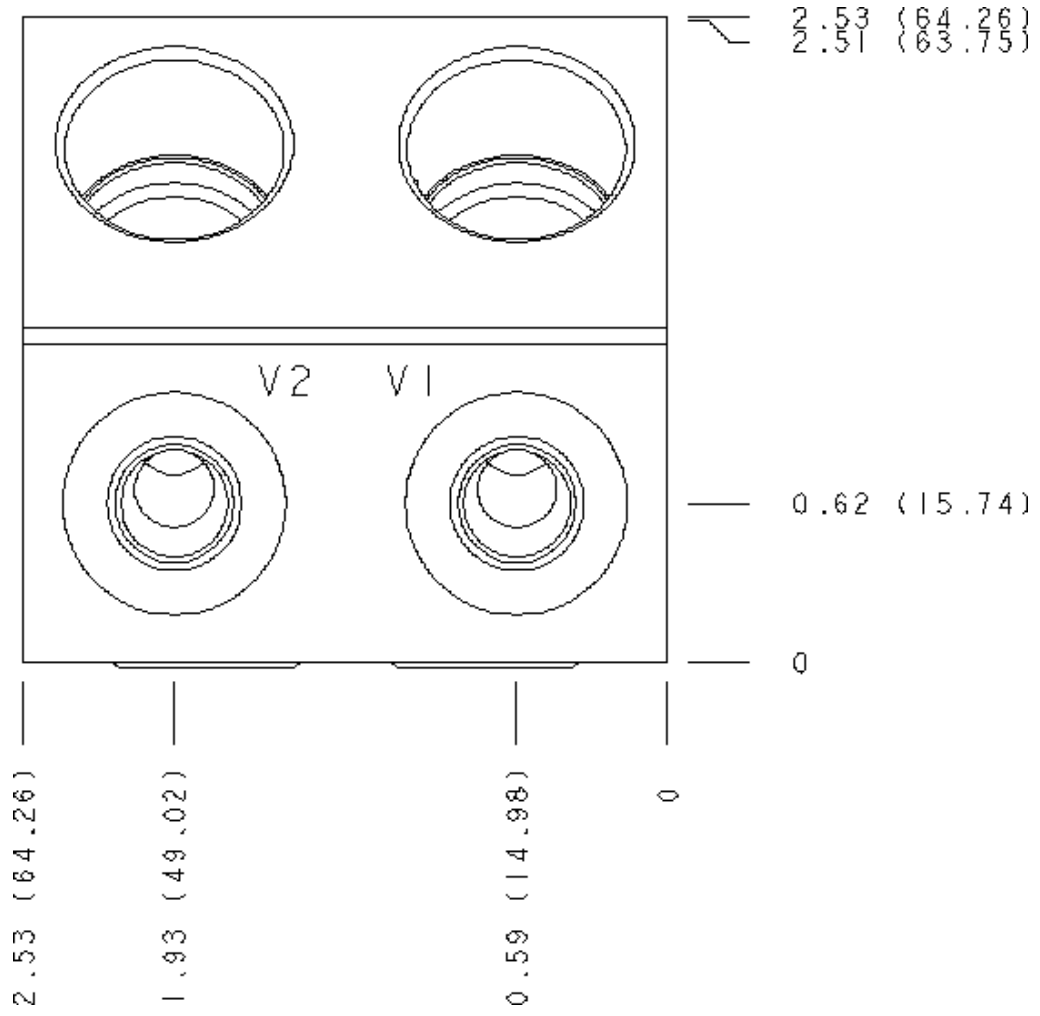
FACE GRID

1	2	3	4
5	6	7	8
9	10	11	12

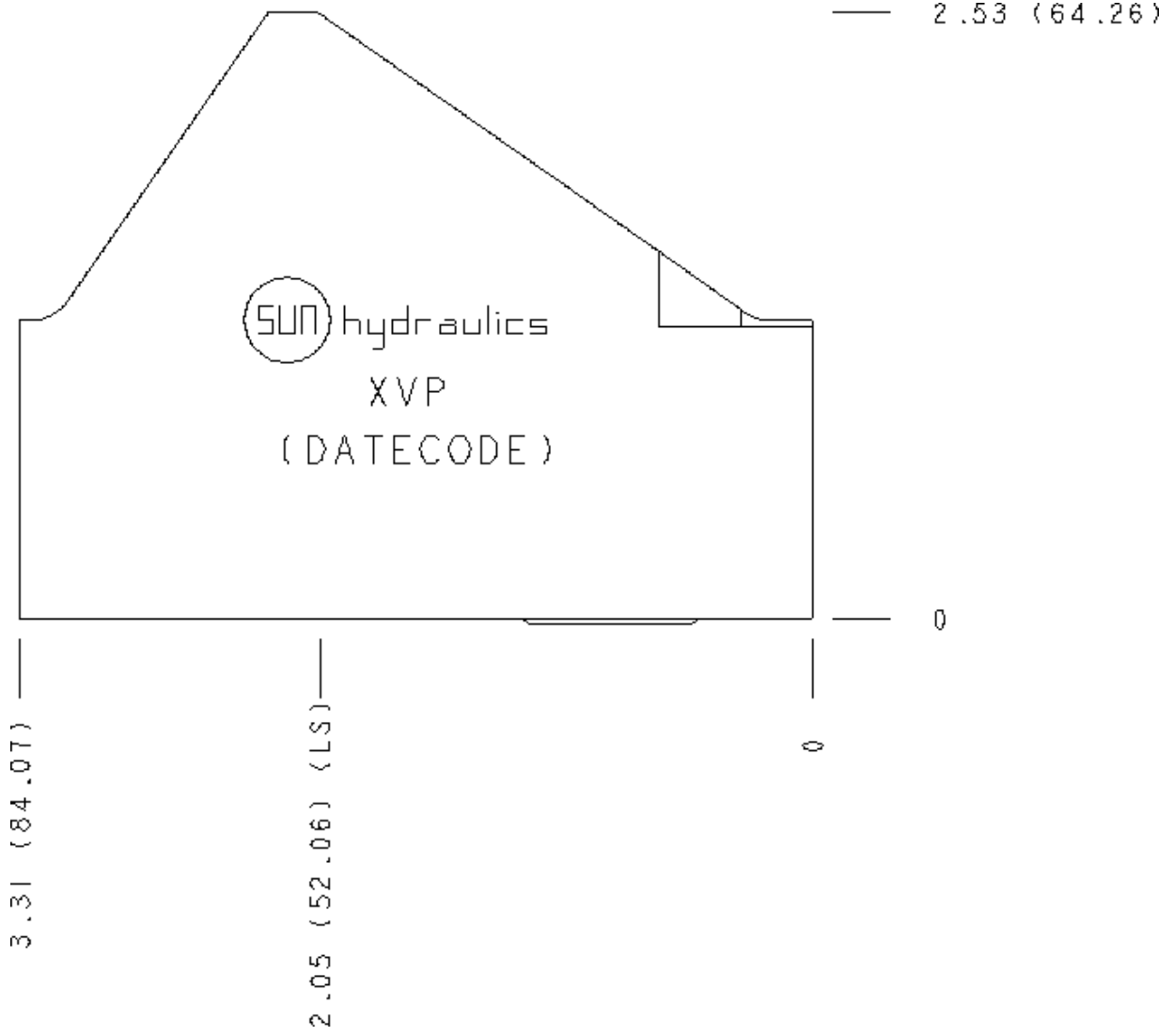
Face 2



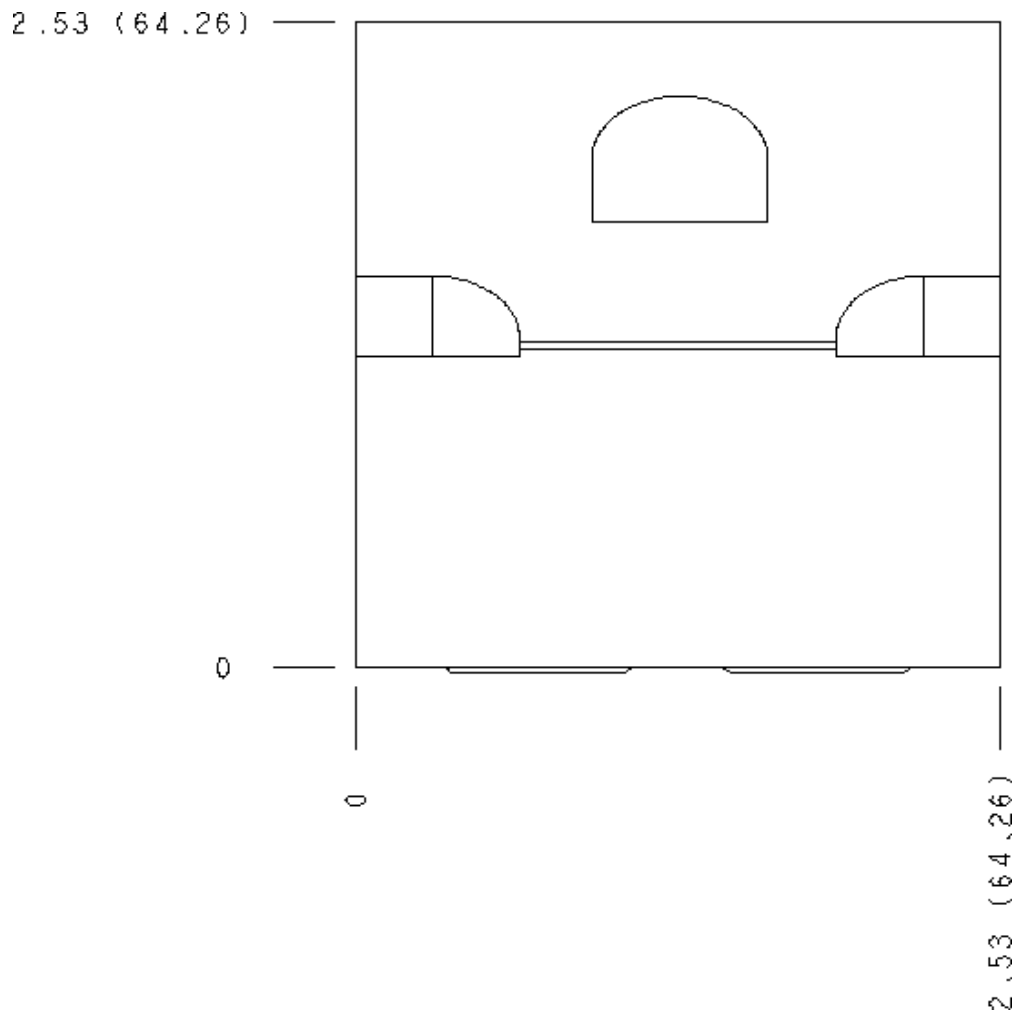
Face 5



Face 6

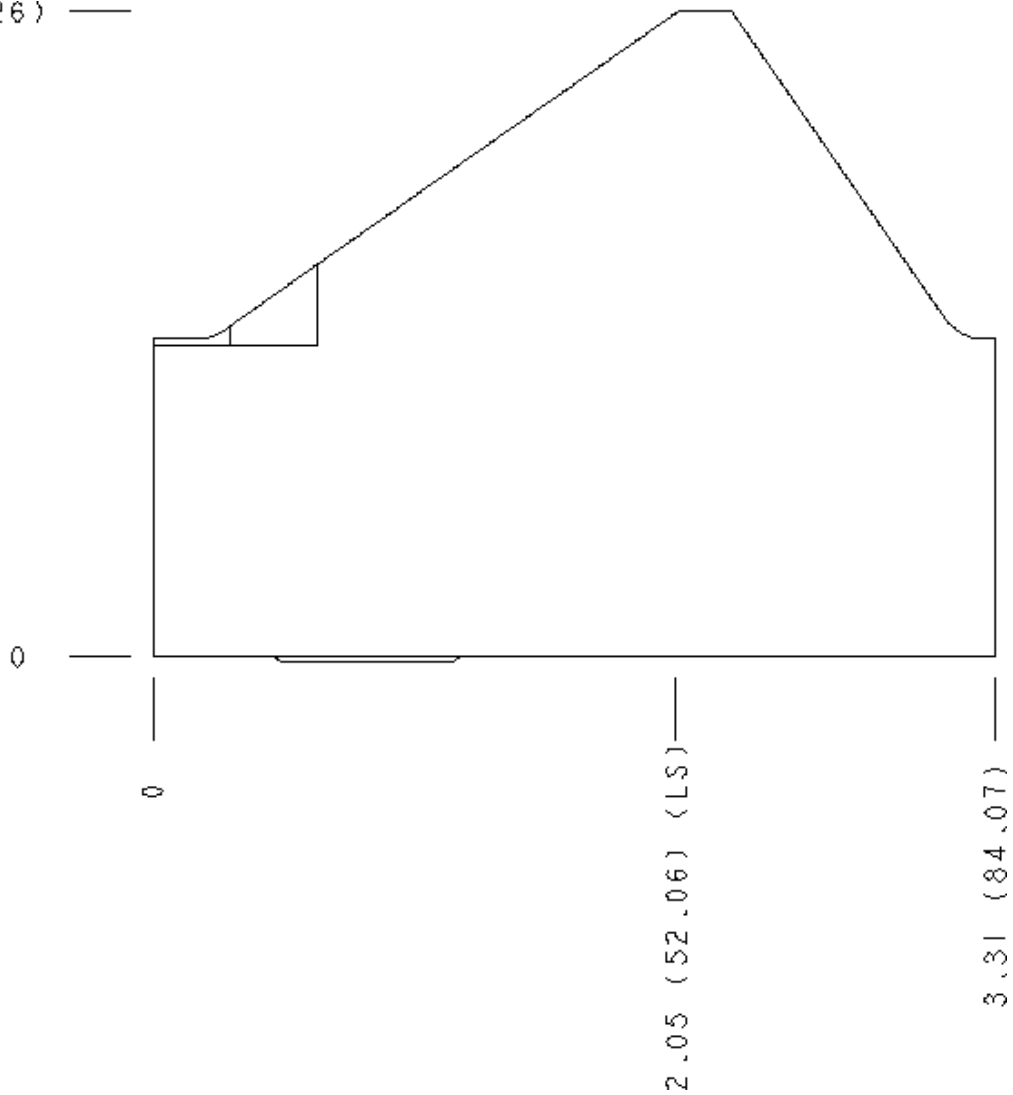


Face 7



Face 8

2.53 (64.26) —



Face 10

