

TECHNICAL DATA

Body Type	Line mount
Interface	None
Body Features	Port 3 connected to port 2
Mounting Hole Diameter	.34 in.
Mounting Hole Depth	Through
Mounting Hole Quantity	2
Open Cavities	1
Cavity	T-11A
Port Size	1/2" NPTF
Model Weight	0.72 lb.

NOTES

Important: Carefully consider the maximum system pressure. The pressure rating of the manifold is dependent on the manifold material, with the port type/size a secondary consideration. Manifolds constructed of aluminum are not rated for pressures higher than 3000 psi (210 bar), regardless of the port type/size specified.

PORT DESIGNATORS

Modifiers	Ports
EDC, /10, /11	Ports 1 & 2: 1/2" NPTF;

CONFIGURATION OPTIONS

Model Code Example: EDC

MODIFIER

- 6061-T651 Aluminum, Buna-N**
- /11 6061-T651 Aluminum, Buna-N, Clear Anodize - Per MIL SPEC 8625F Type II, Class I
- /10 6061-T651 Aluminum, Buna-N, Black Anodize - Per MIL SPEC 8625F Type II, Class II
- /S 65-45-12 Ductile Iron, Buna-N, Chem. Black
- /S3 65-45-12 Ductile Iron, Buna-N, Trivalent Clear Zinc with Top Sealer

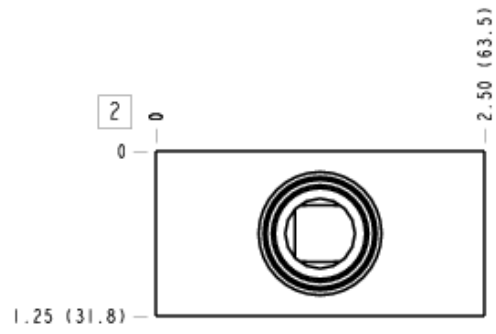
MANIFOLD FACES

FACE GRID

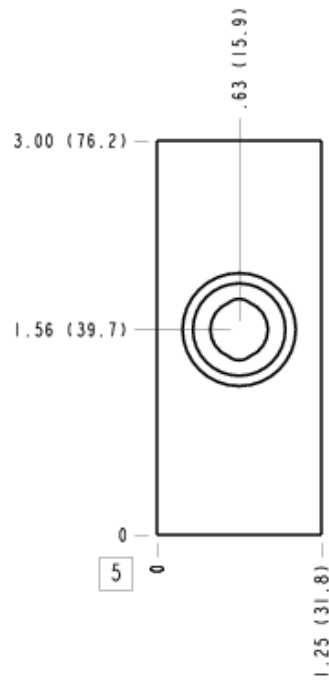


5	6	7	8
9	10	11	12

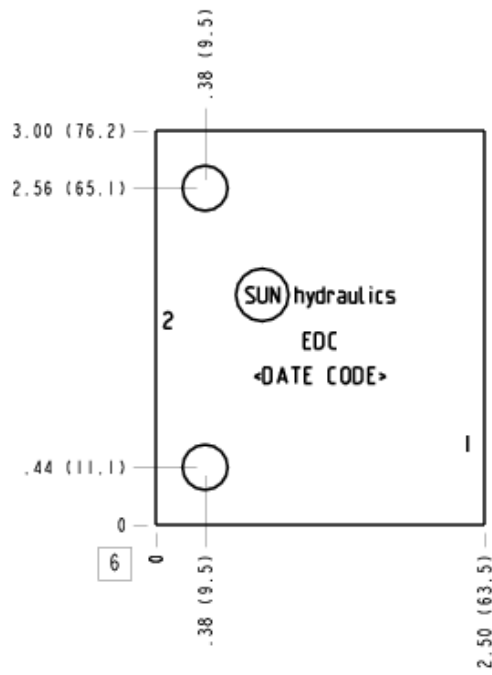
Face 2



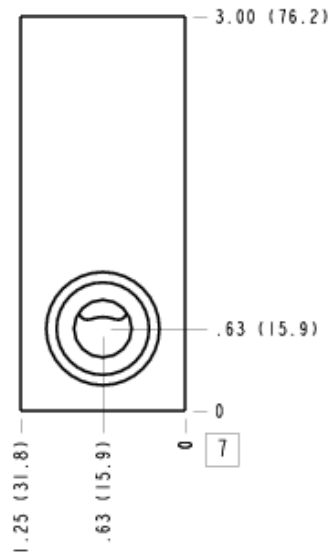
Face 5



Face 6



Face 7



Face 10

